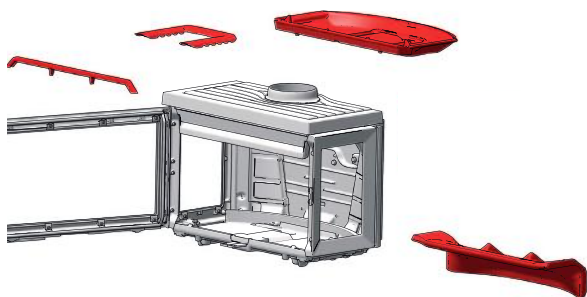
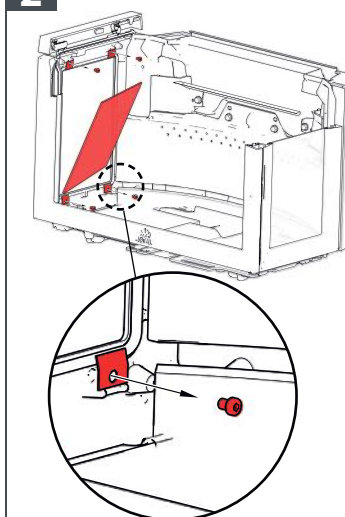


# HEAT SHIELD SIDE F 620

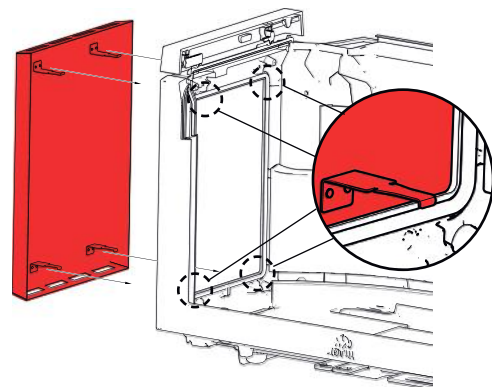
1



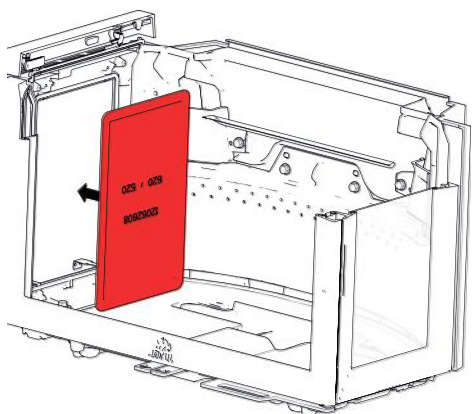
2



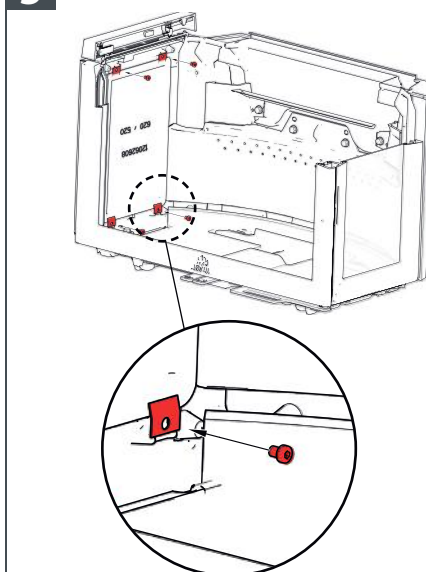
3



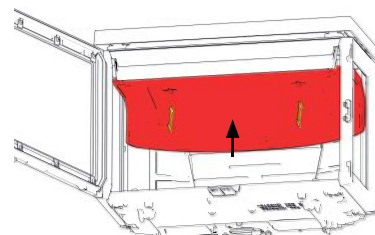
4



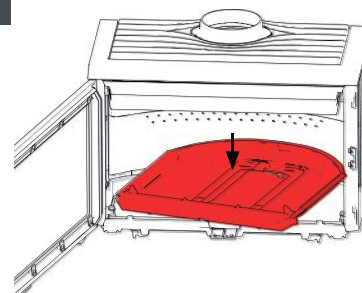
5



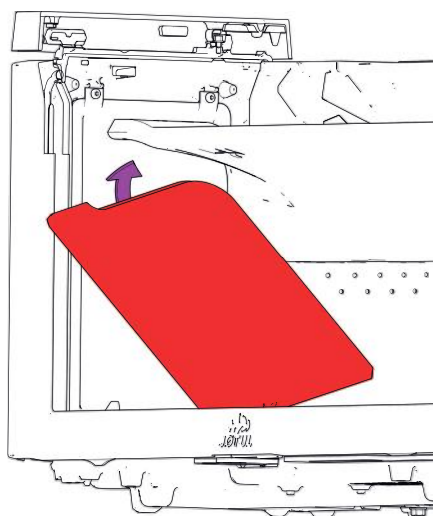
6



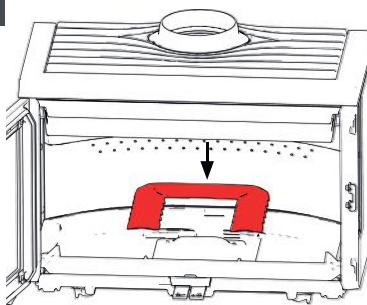
7



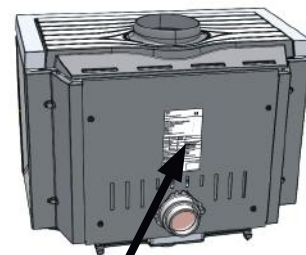
8



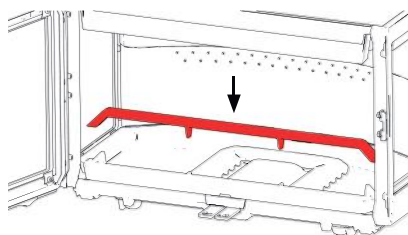
9




11



10



Product: **Jøtul F 620 F. FR. FL. Heatshield back, Convection kit**  22  
 Room heater fired by solid fuel. Dup: #R2201-CFM-30522

Standards: EN 13240:2011/AC:2013/2:2014  
 Minimum distance to combustible material: REAR: 500 mm  
 Minimum distance to combustible material: SIDE WITH HEATSHIELD: 100 mm  
 Minimum distance to combustible material: SIDE WITH CAST IRON: 100 mm  
 Minimum distance to combustible material: SIDE WITH CAST IRON + HEATSHIELD: 100 mm

Minimum distance to combustible material: REAR: 300 mm  
 Minimum distance to combustible material: HEATSHIELD: 100 mm  
 Minimum distance to combustible material: FLOOR: 50 mm

Combustion of CO<sub>2</sub> combustion products (12% O<sub>2</sub>): 0,07%  
 Flue gas temperature: 270°C  
 Nominal heat output: 5,7 kW  
 Efficiency: 77%  
 Fuel type: Wood  
 Control type: Manual  
 Electrical safety: I

The appliance can be used as a wood-burner.

Country	Classification	Standard	Approved by
EUR	Intermittent	EN 13240	Danish Technological Institute

Follow user's instructions. Use only recommended fuels.  
 Montage- und Bedienungsanleitung beachten.  
 Always read the user's instructions carefully.  
 Respectez les consignes d'utilisation. Utilisez uniquement les combustibles recommandés.

100012010

Cut off this part and replace the label already attached to the product with this one

