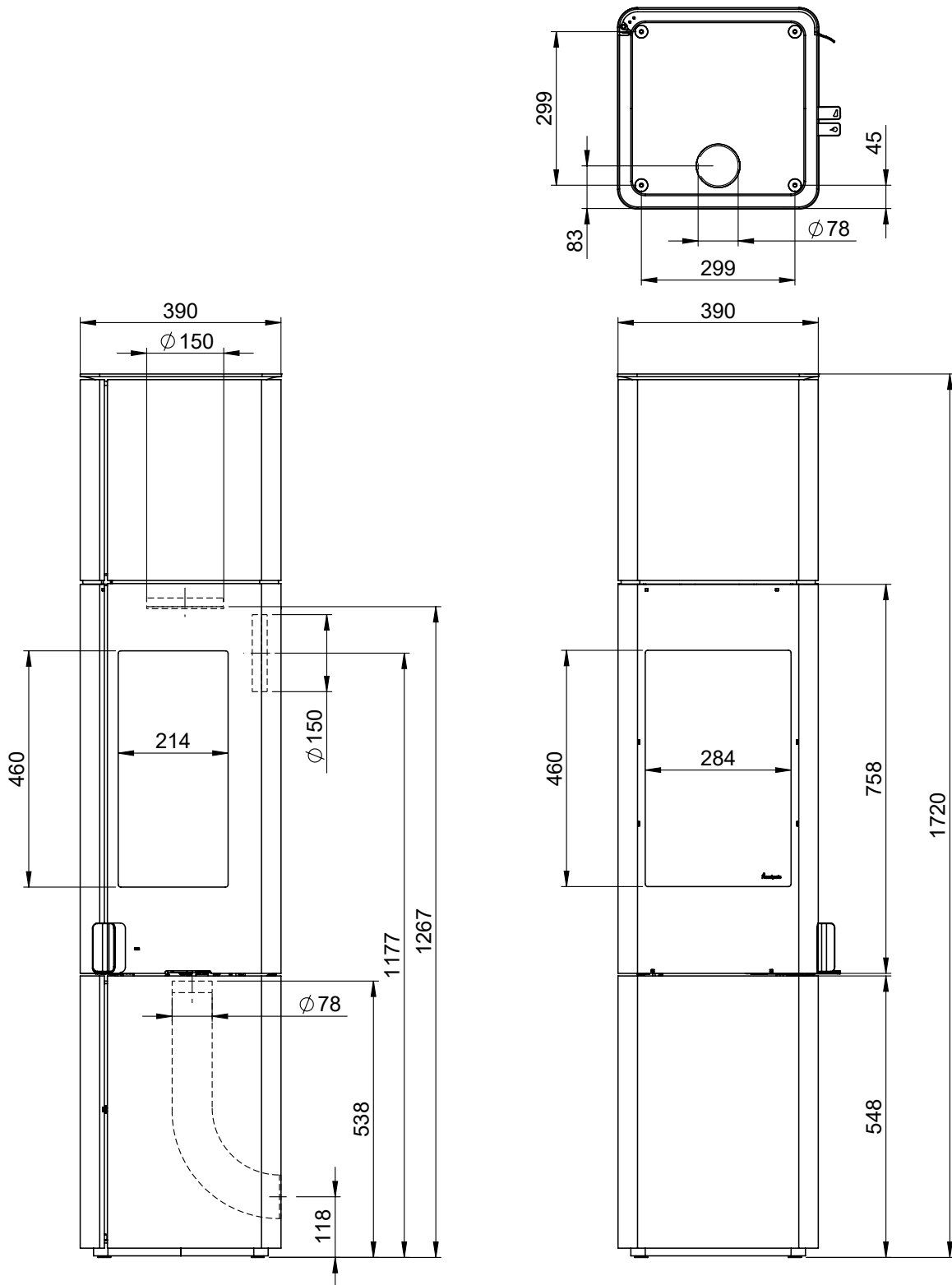

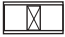


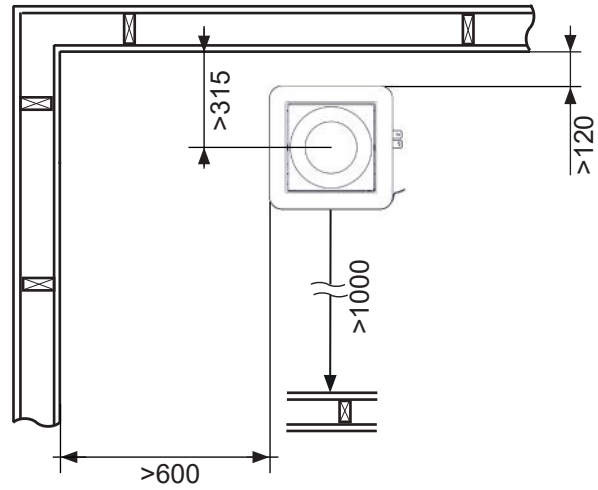
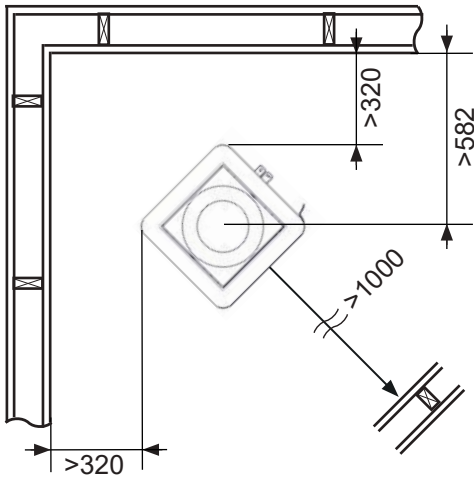
YoU Steel high top YoU PowerStone set

YoU Steel high top =mm

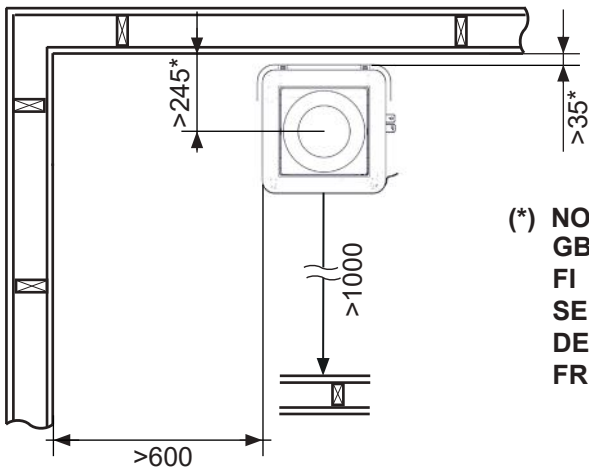


YoU Steel high top - safety distances

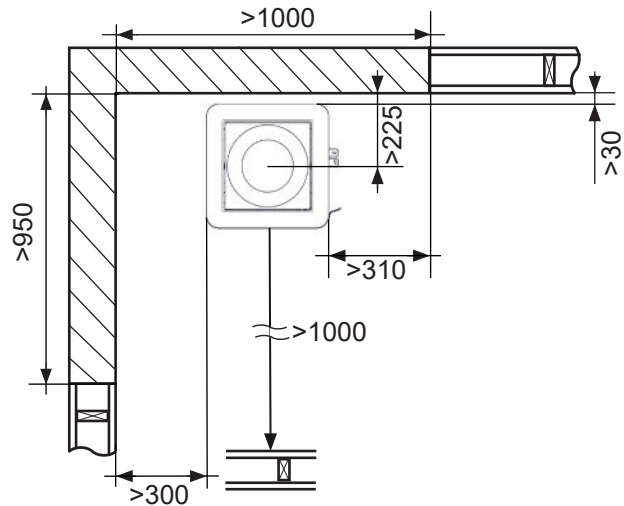
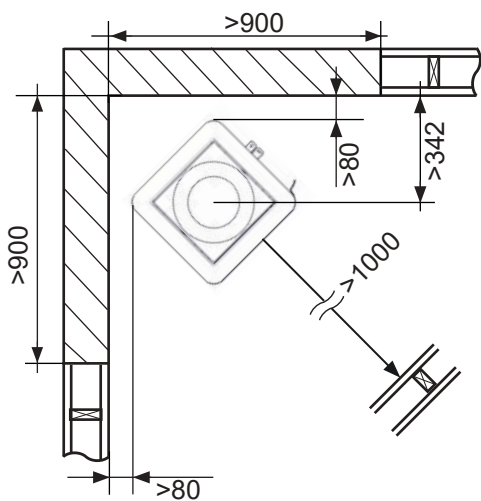
-  = Brannmur / Brandmur / Firewall / Hitzenschutzwand / Mur pare-feu / Parete non combustibile / Palomuuri
 = Brennbar materiale / Brännbart material / Combustible material / Brennbares Material /
 Matériaux combustibles / Parete combustibile / Tulenarka materiaali




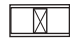
OPTIONAL



- (*) NO - med varmesjold
 GB - with heat shield
 FI - säteilyuojalla
 SE - med värmesköld
 DE - mit Hitzeschild
 FR - avec écran thermique



YoU Steel high top - safety distances

-  = Brannmur / Brandmur / Firewall / Hitzenschutzwand / Mur pare-feu / Parete non combustibile / Palomuuuri
 = Brennbart materiale / Brännbart material / Combustible material / Brennbares Material / Matériaux combustibles / Parete combustibile / Tulenarka materiaali

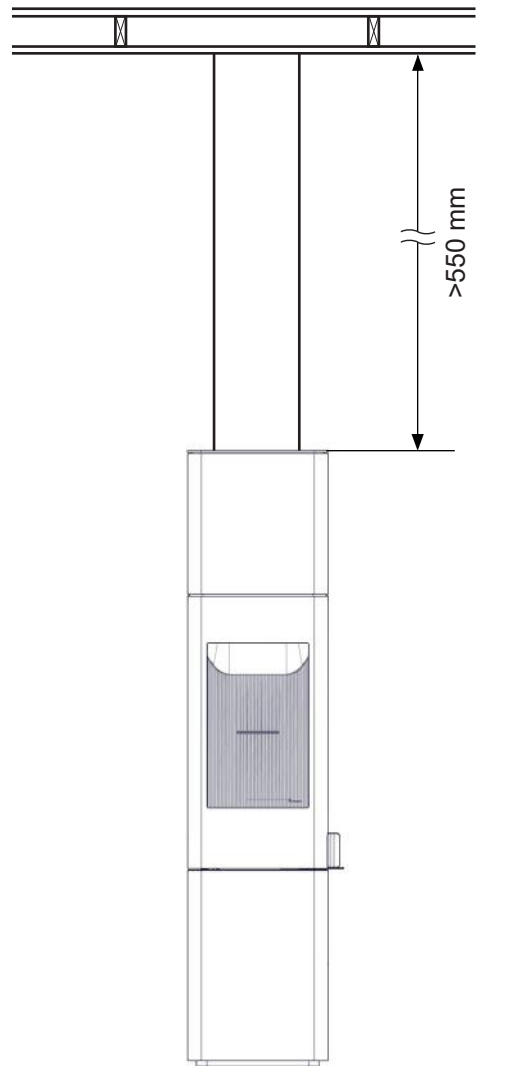


FIG 1

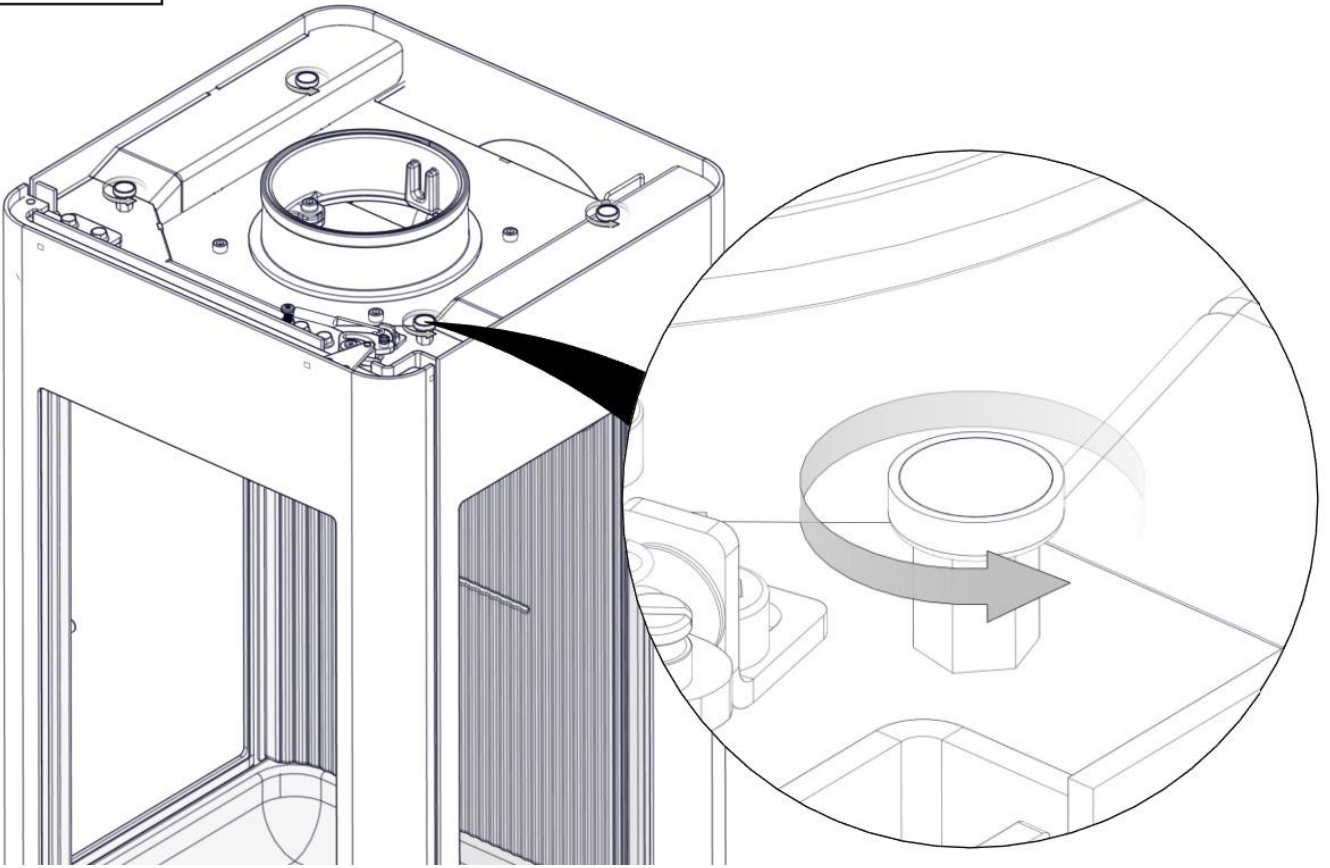


FIG 1a

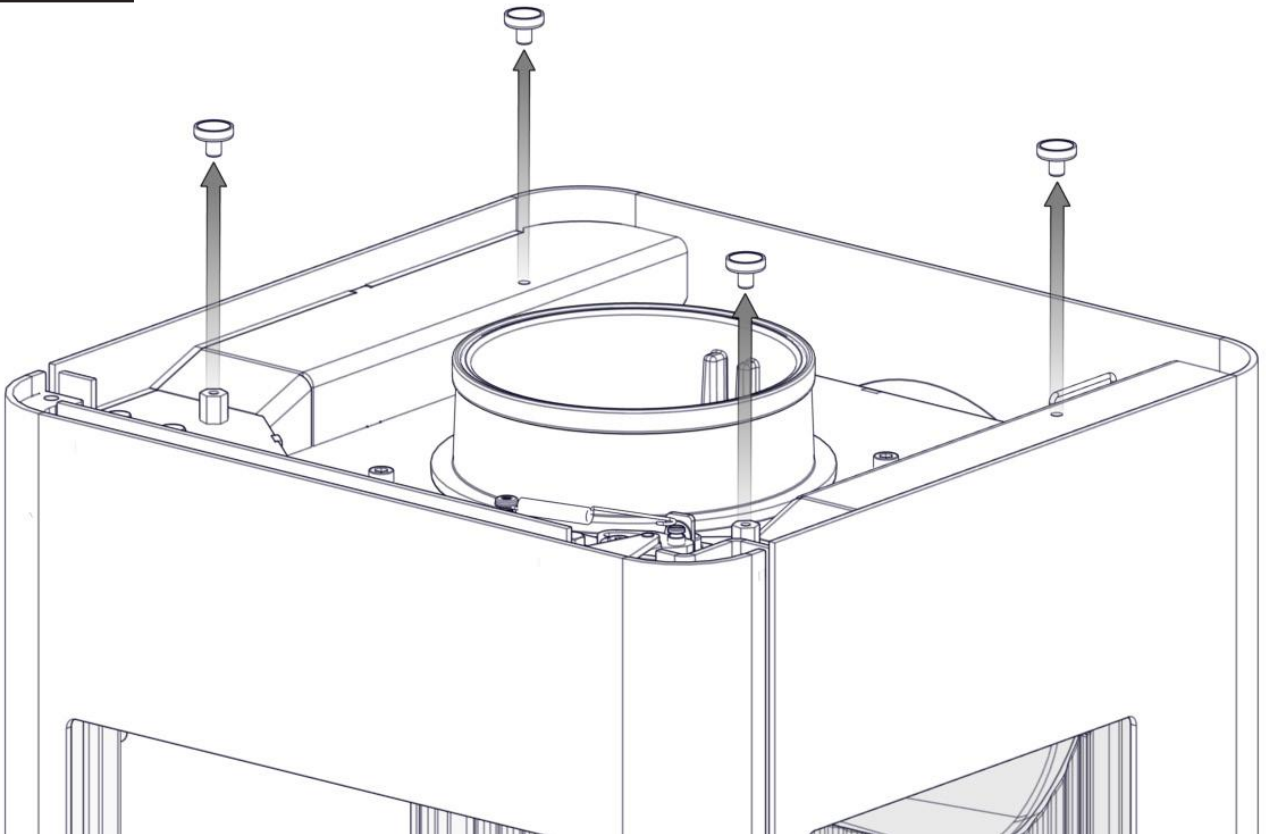


FIG 2

10 mm

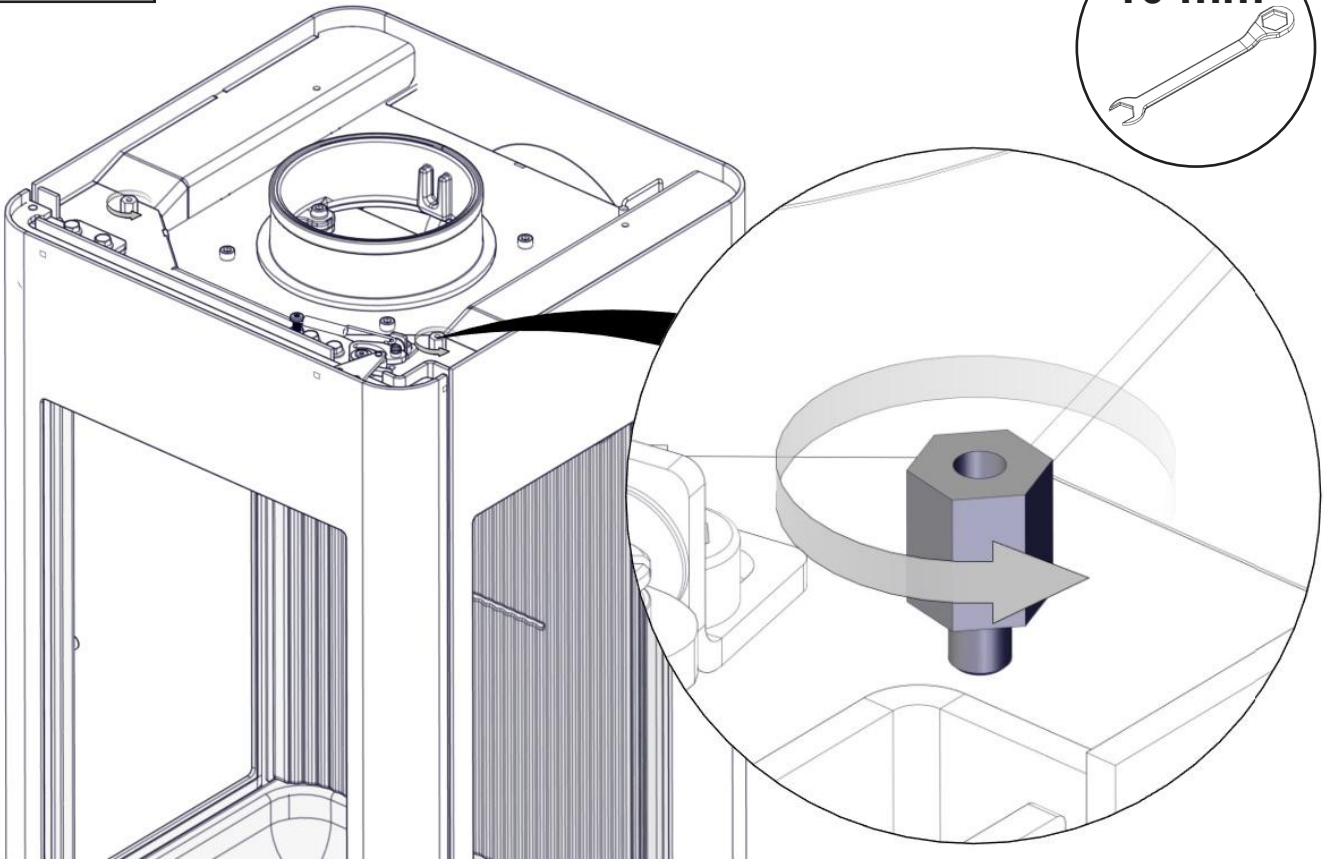
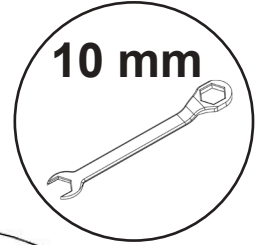


FIG 2a

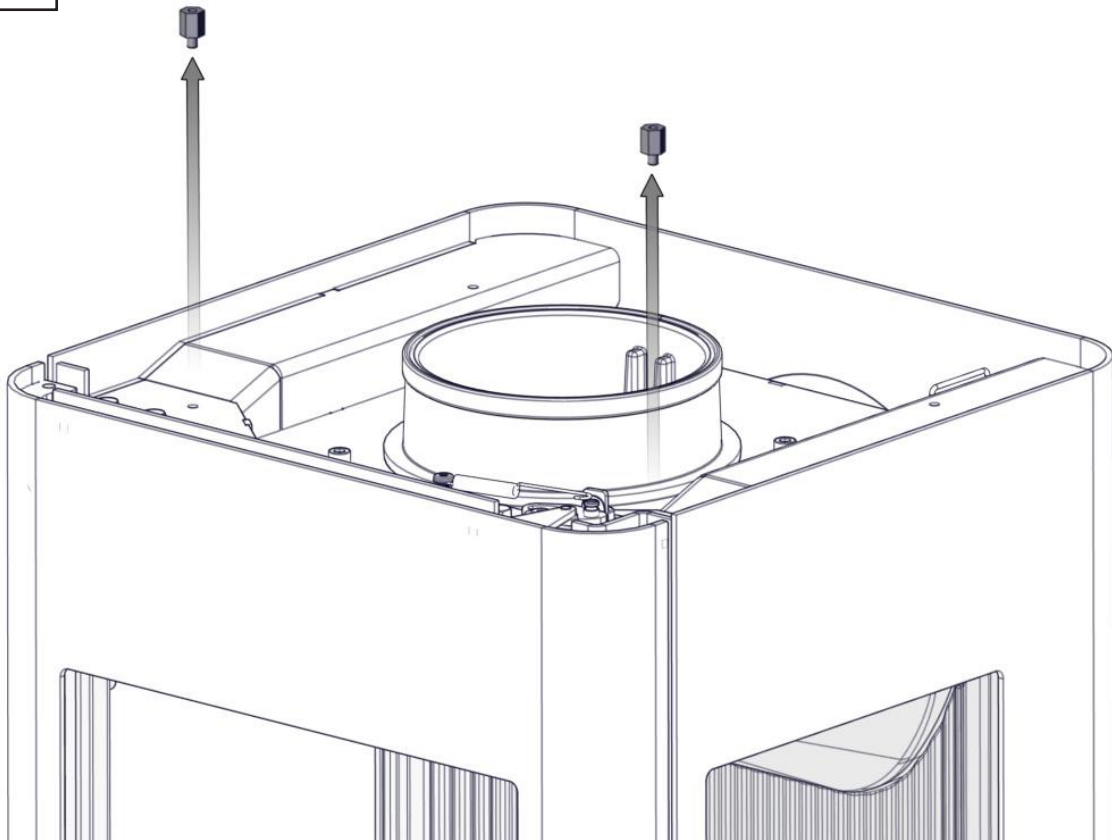


FIG 3

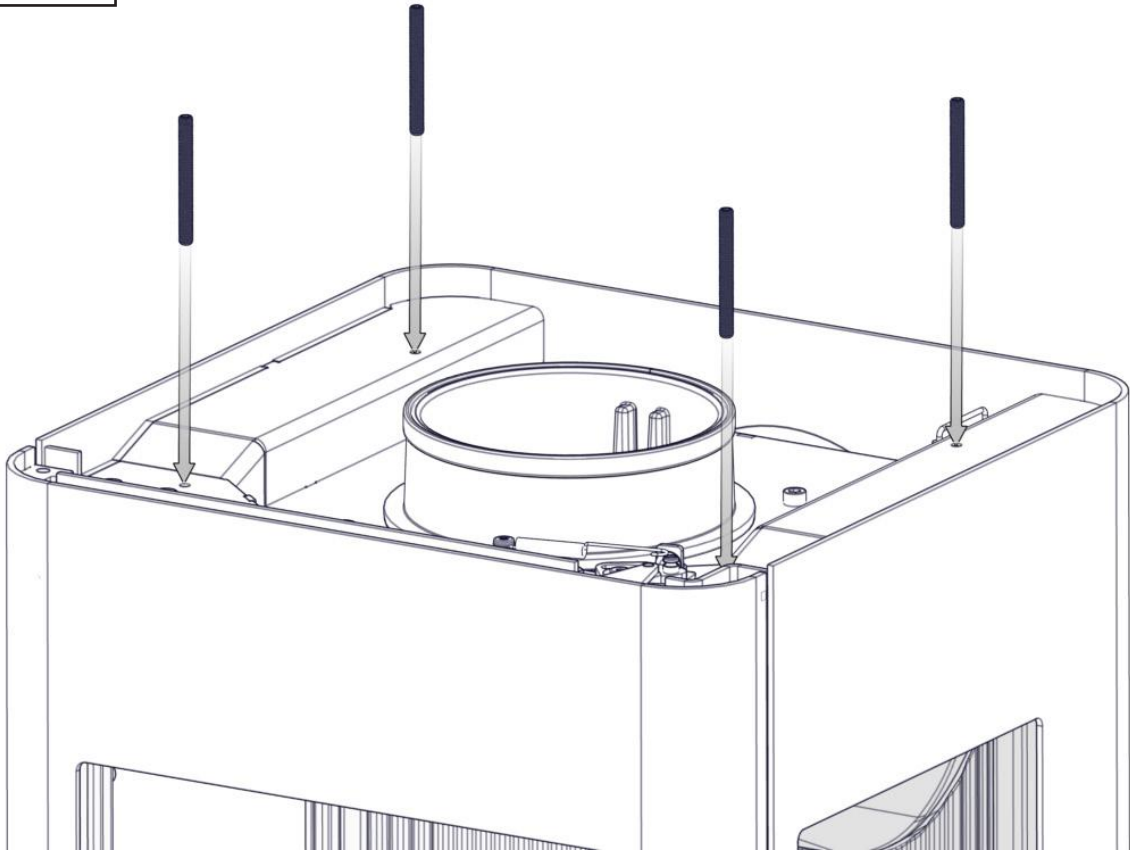


FIG 3a

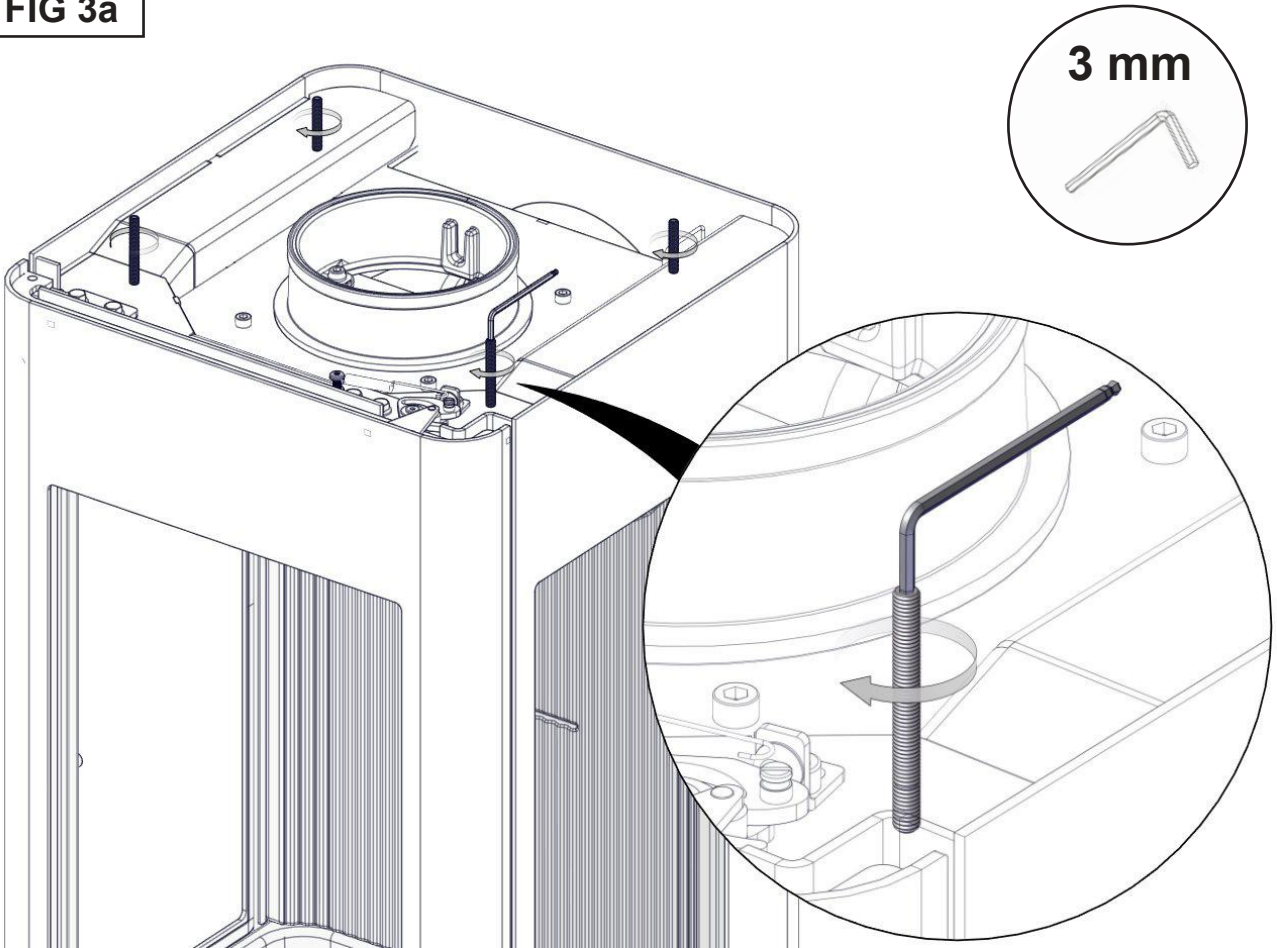


FIG 3b

4x

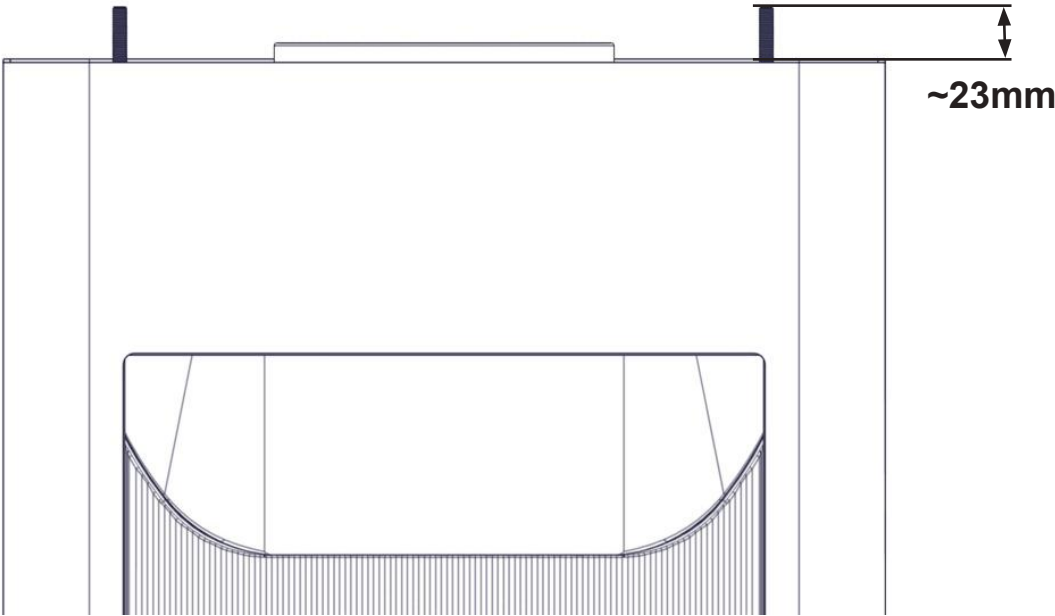


FIG 4

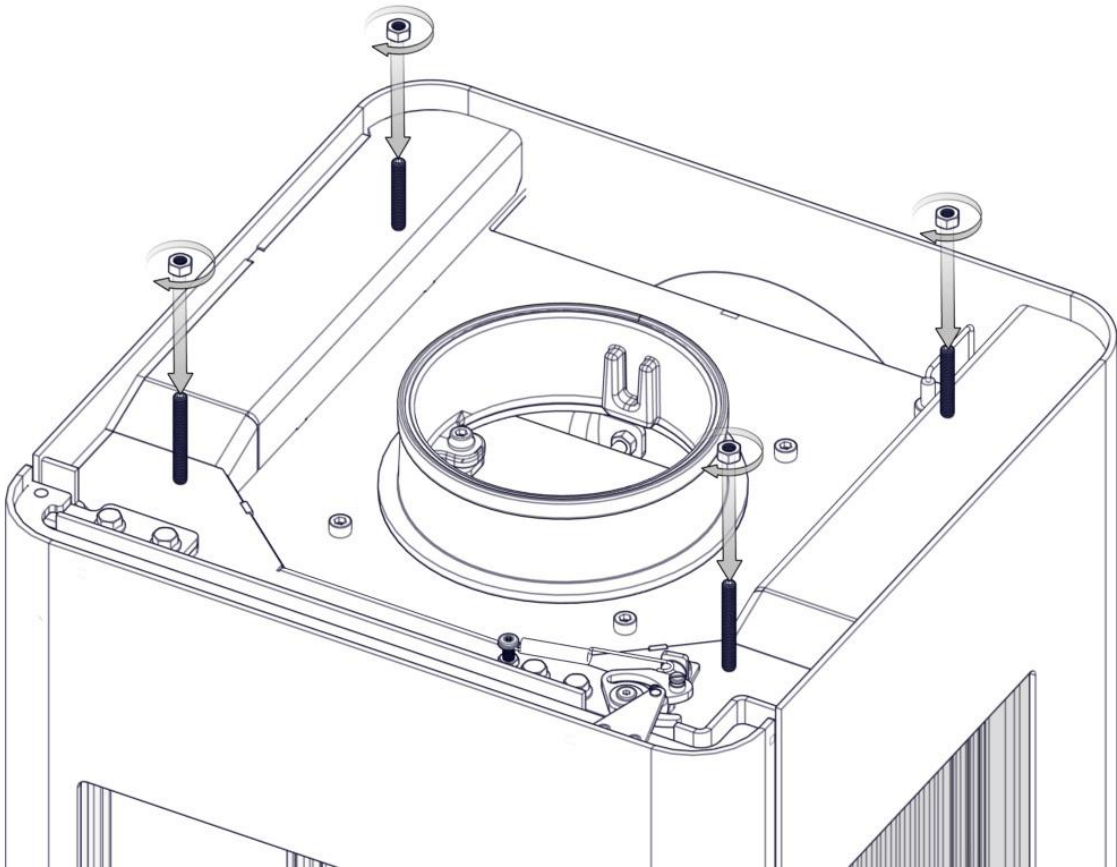


FIG 4a

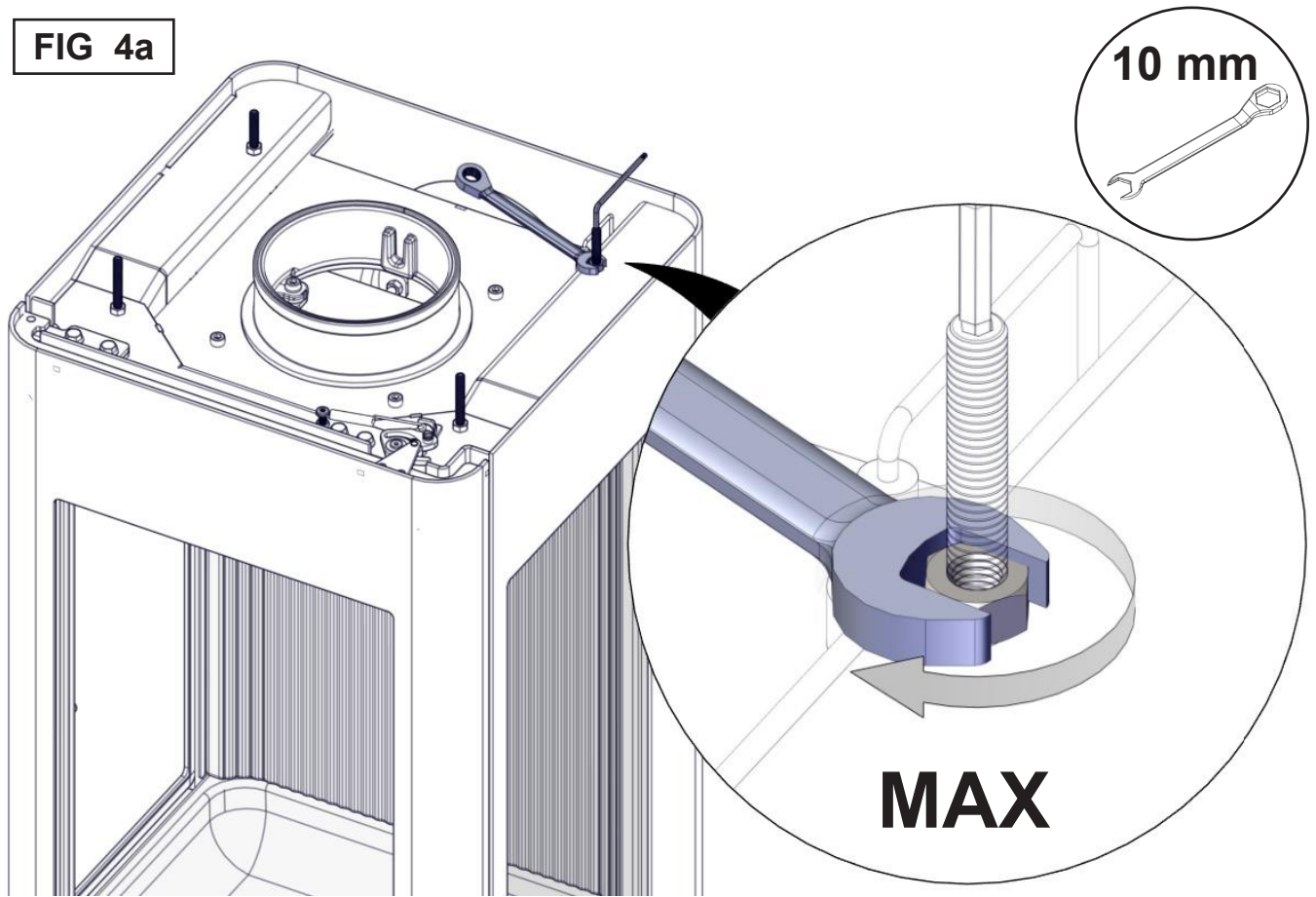


FIG 5

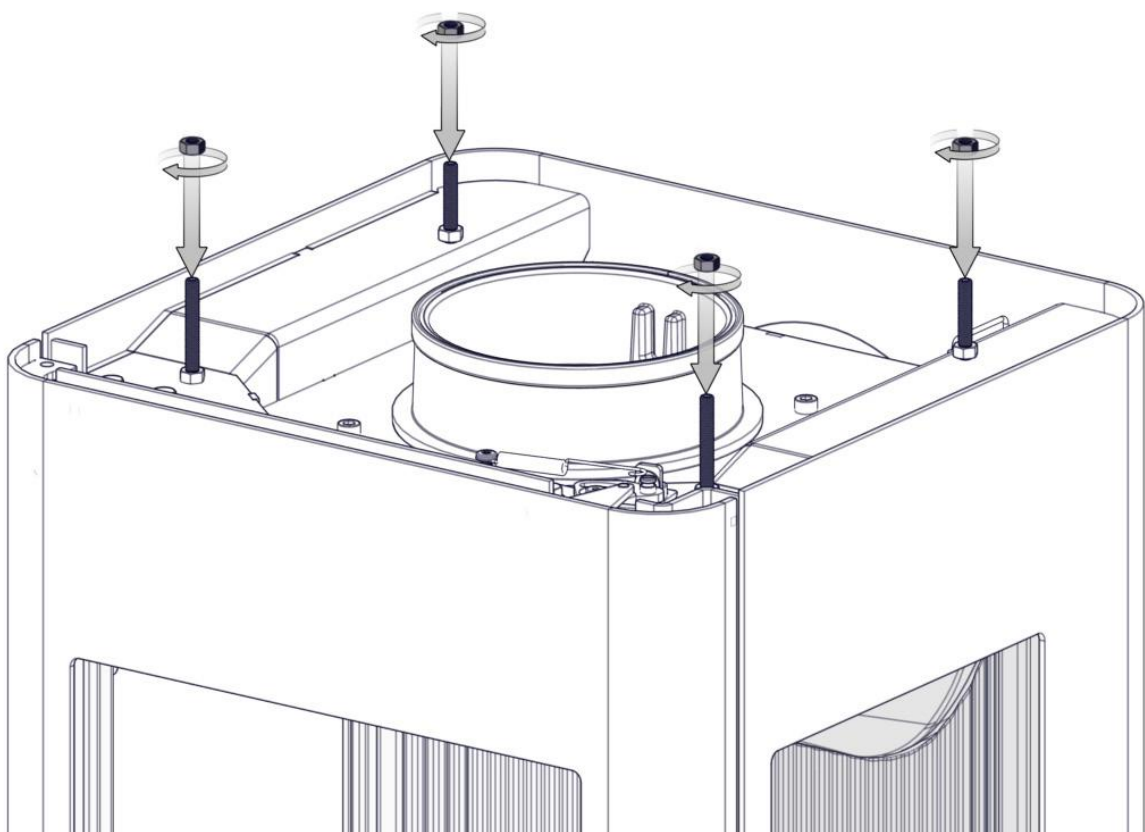


FIG 5a

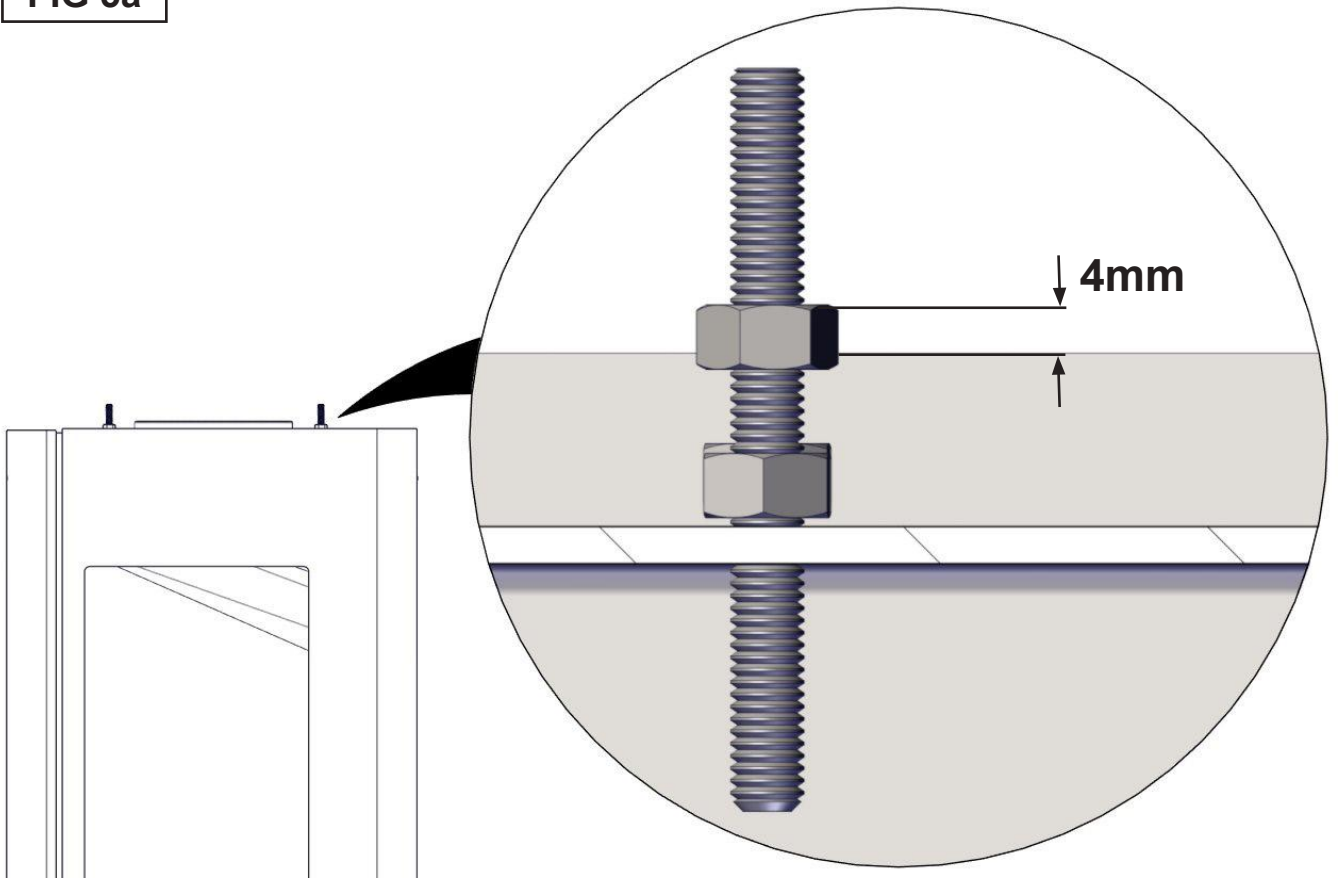


FIG 6

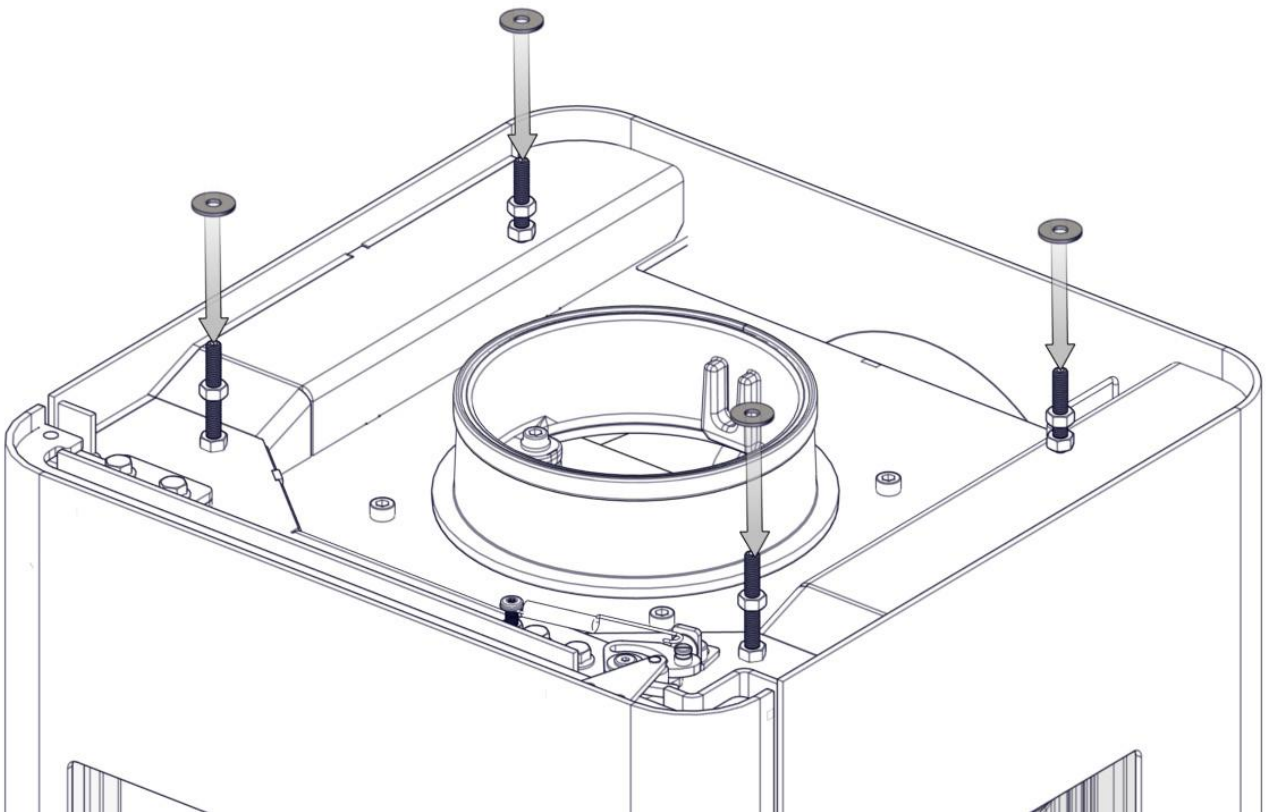


FIG 6a

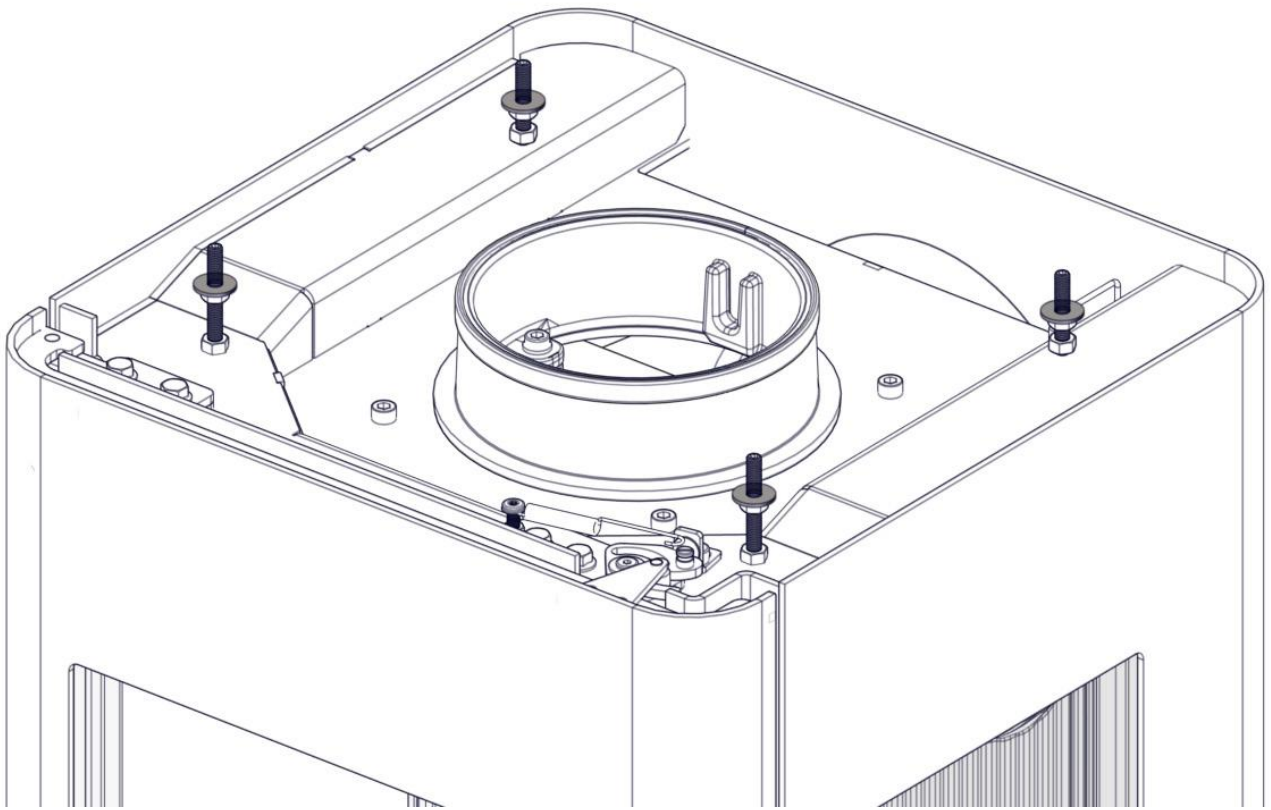


FIG 7

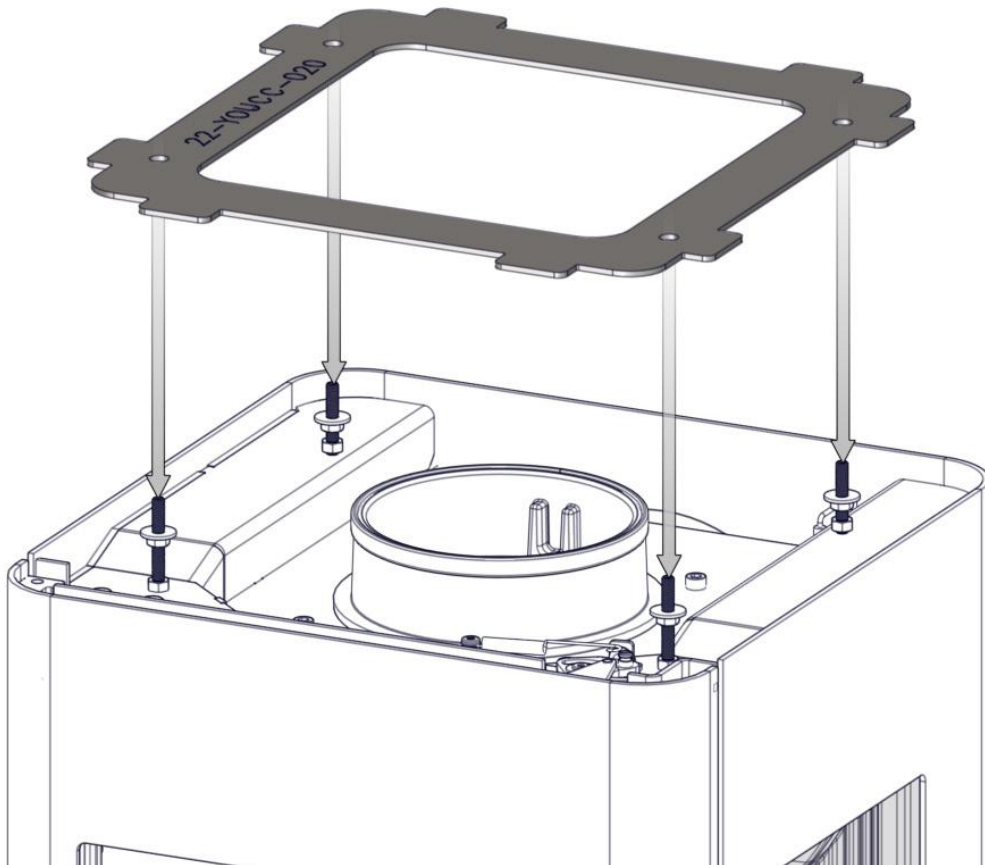


FIG 7a

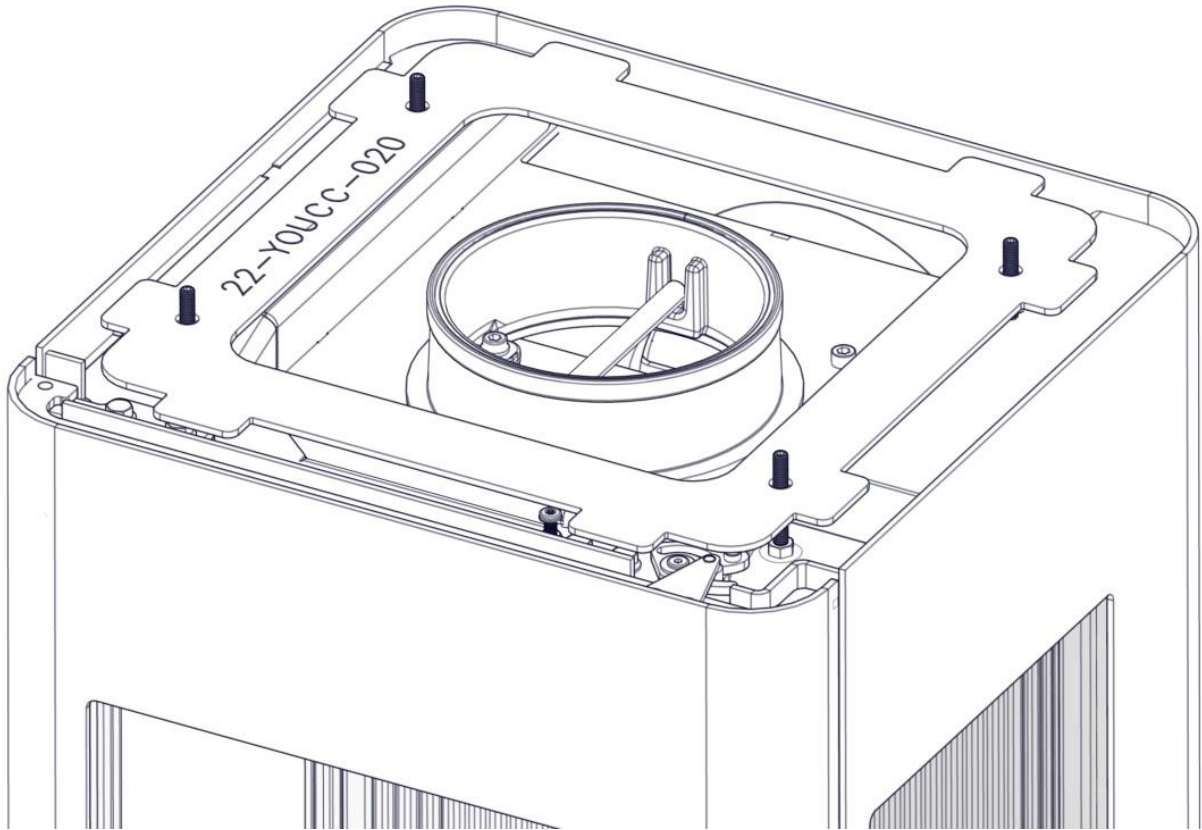
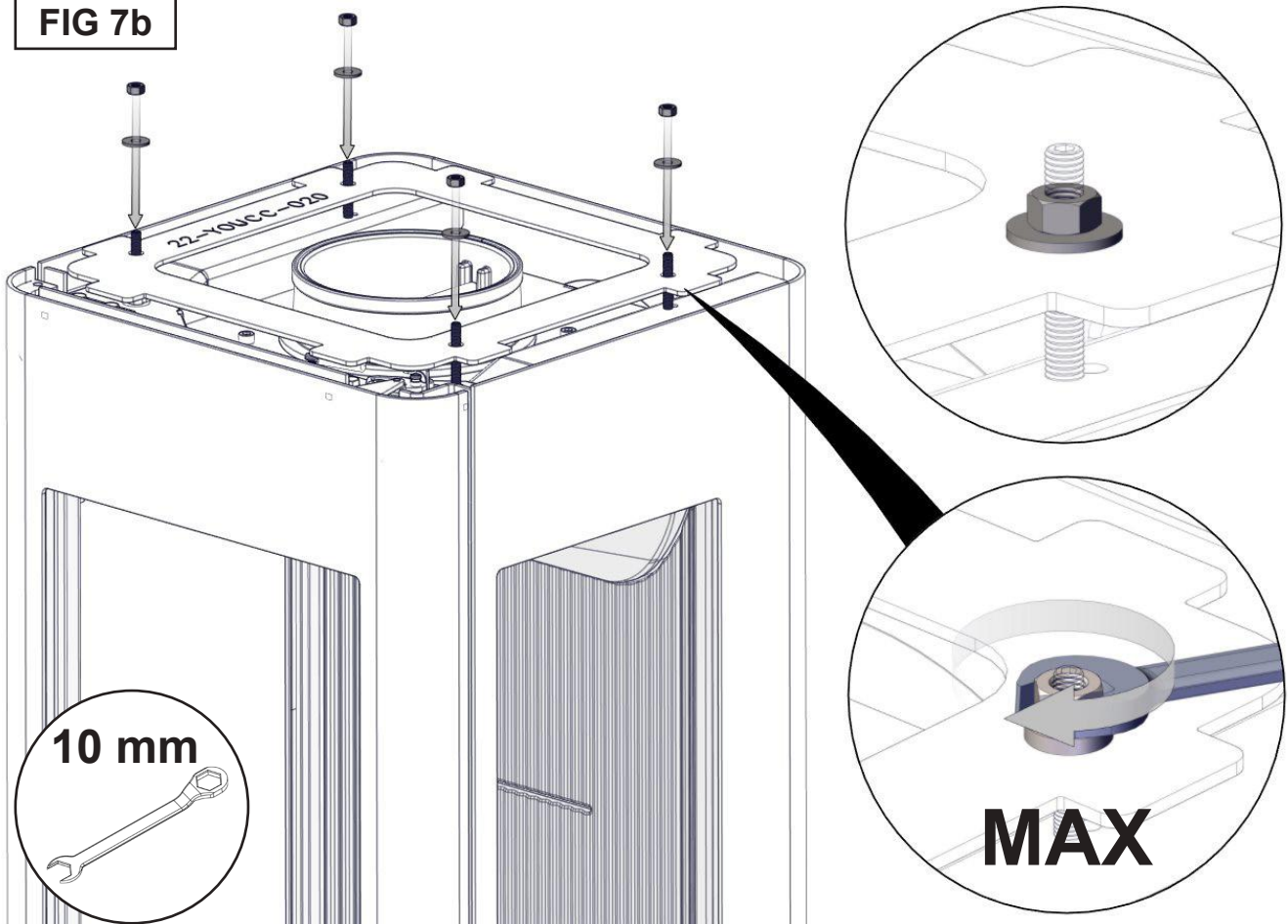
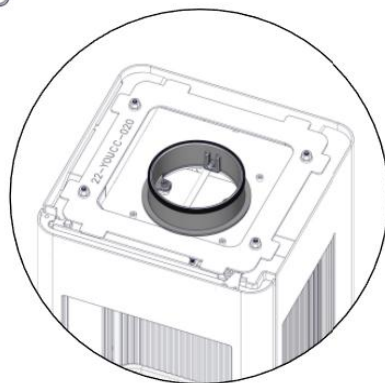
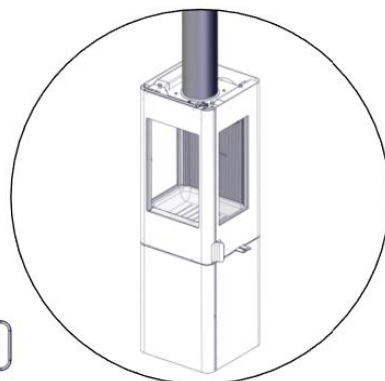
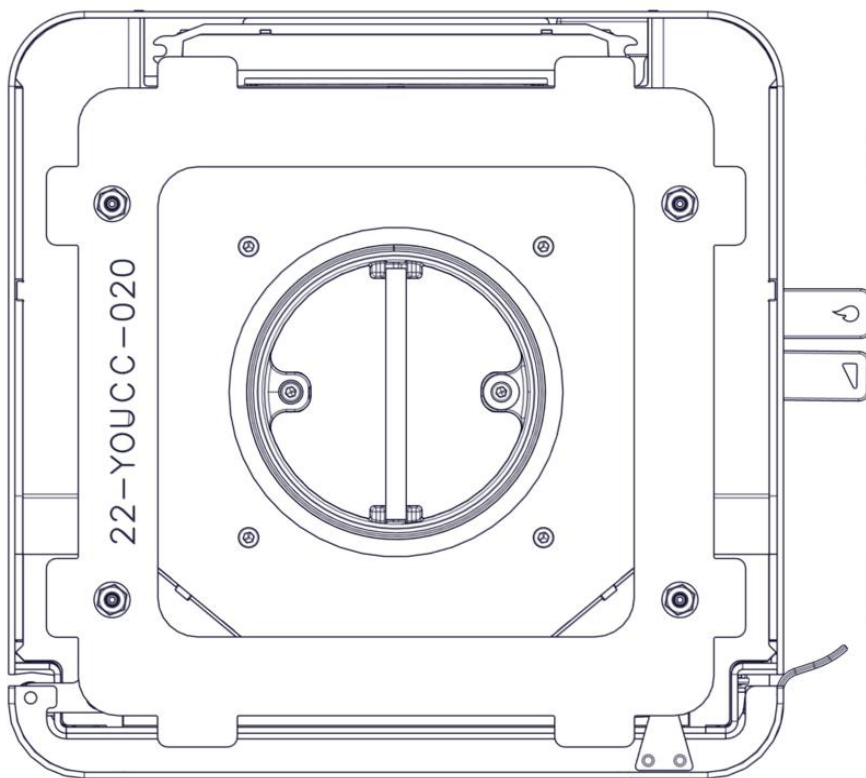


FIG 7b

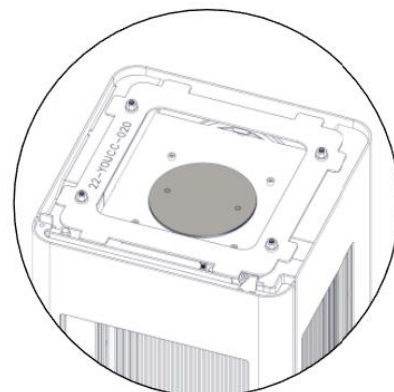
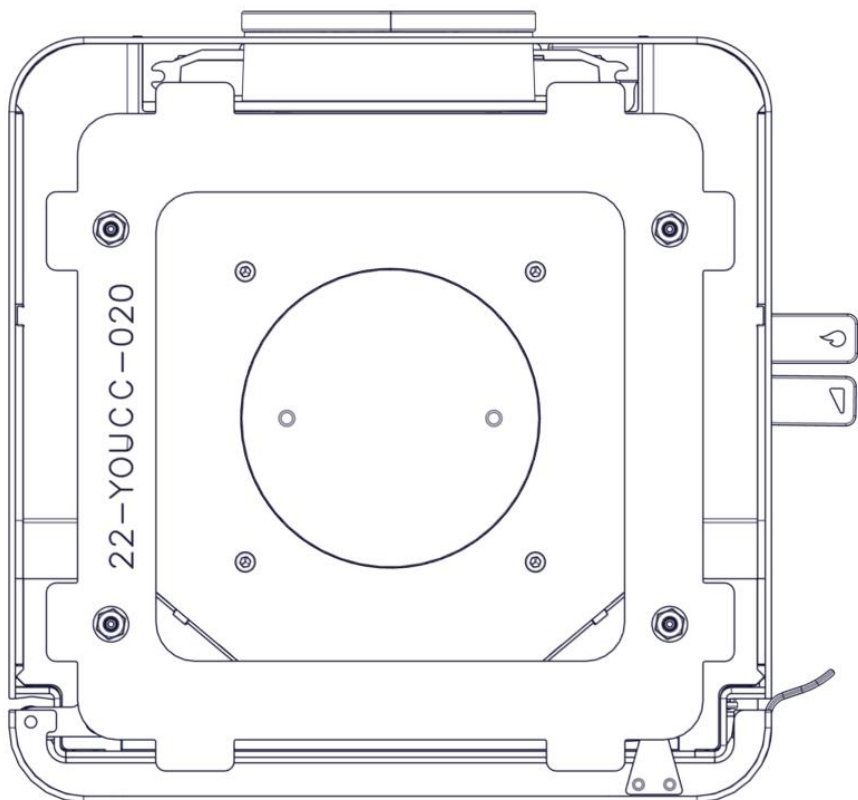




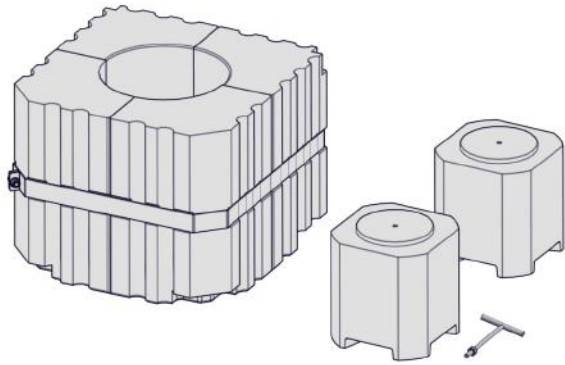
YoU user manual



YoU user manual



**YoU PowerStone set
FIG 8 - FIG 22**



**YoU High top
FIG 11 - FIG 22**

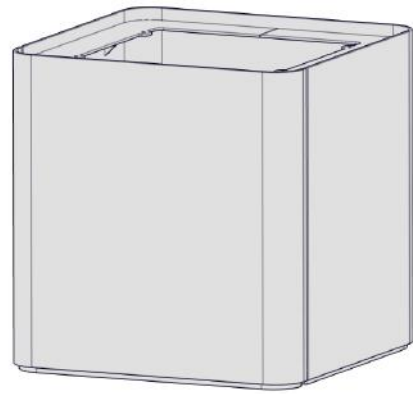


FIG 8

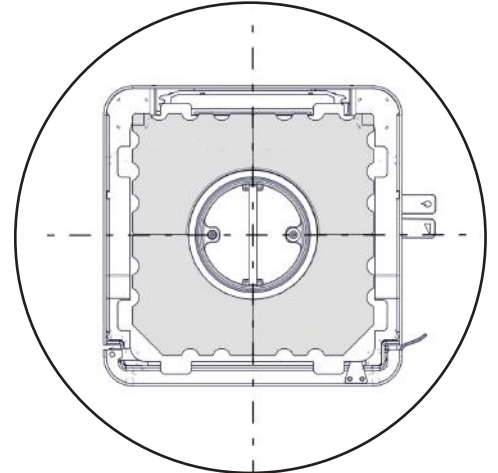
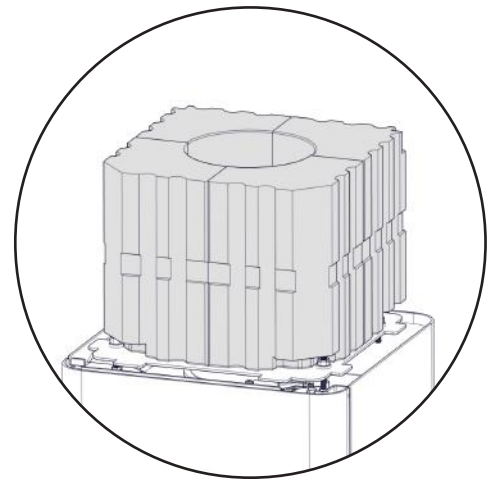
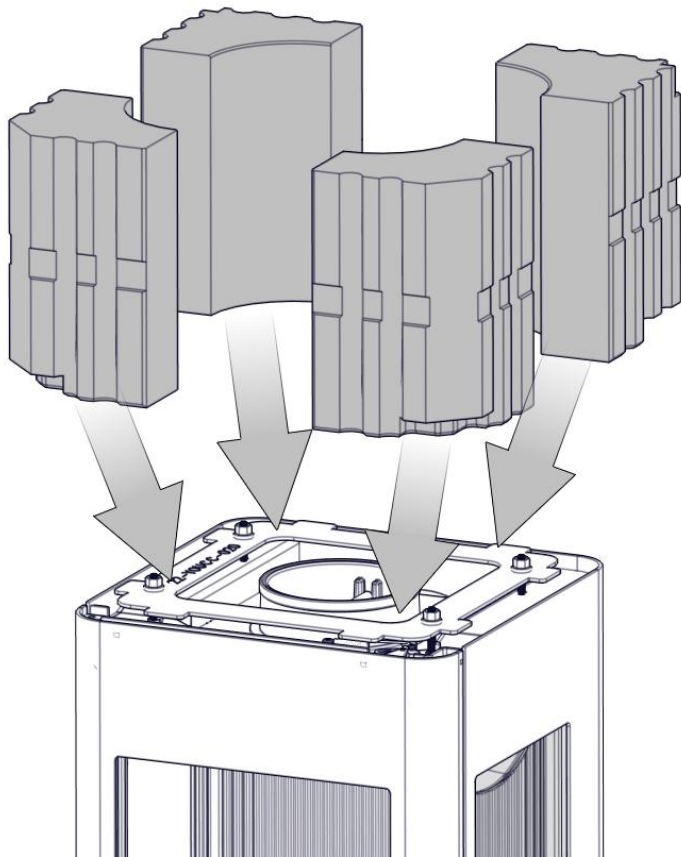


FIG 9

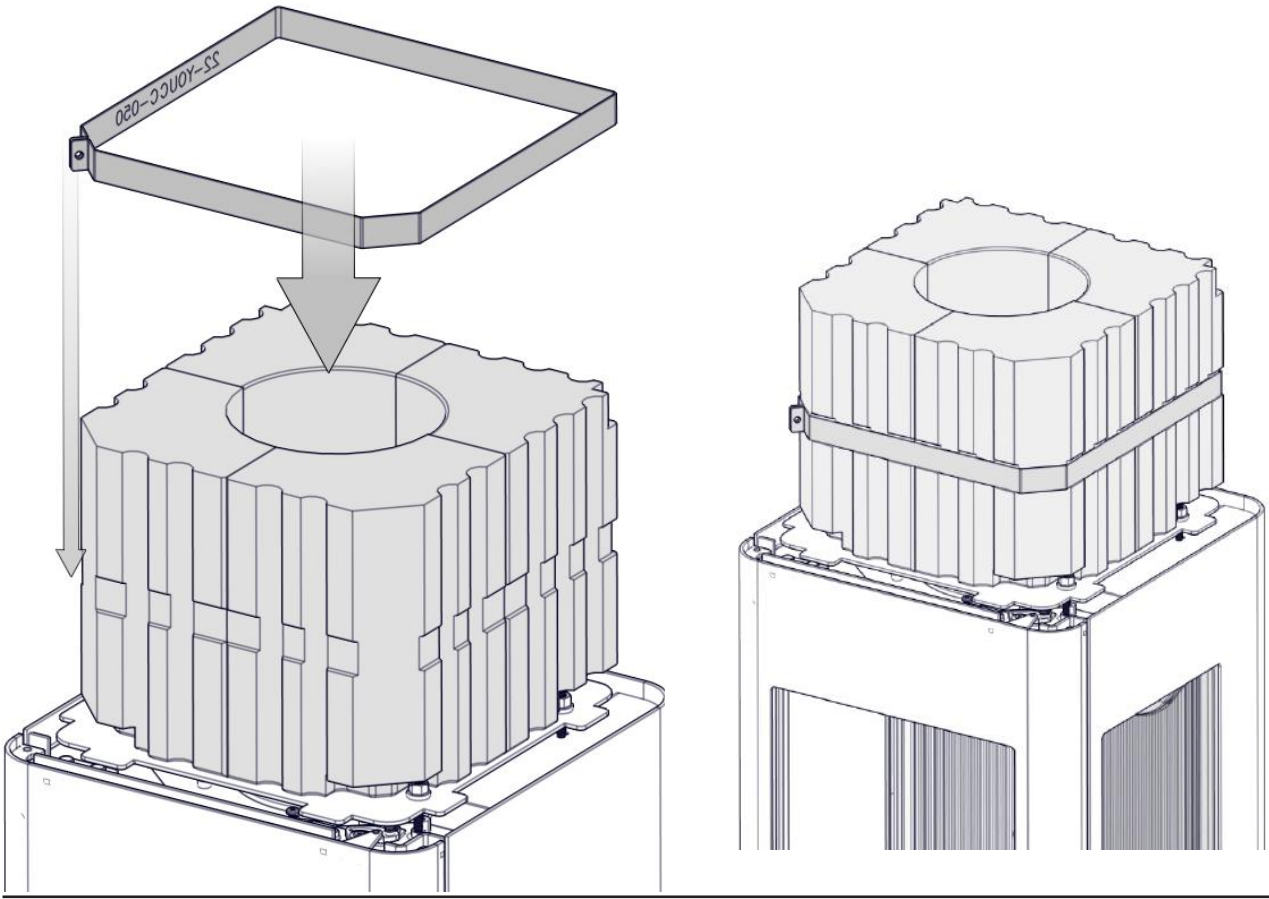


FIG 9a

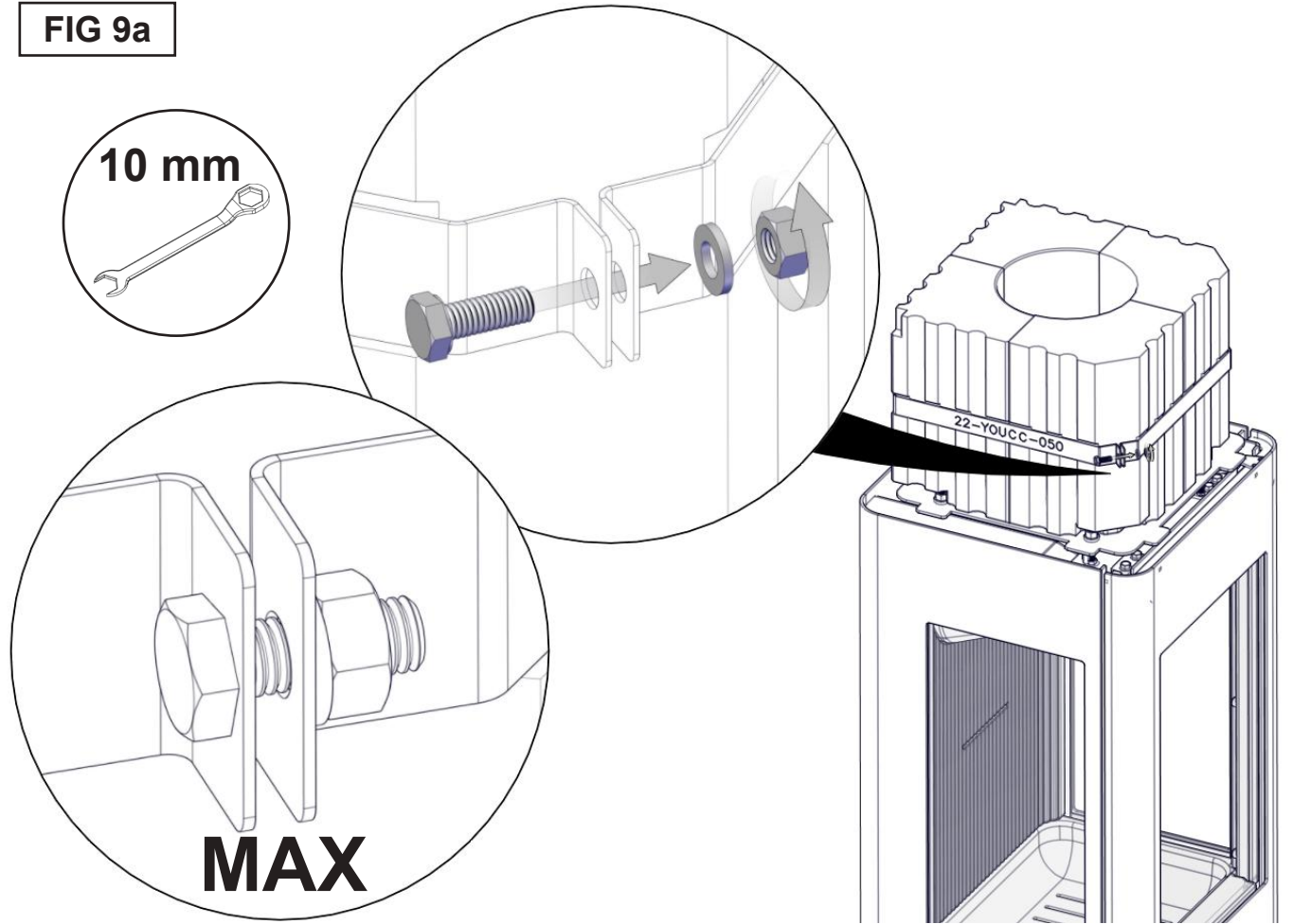


FIG 10

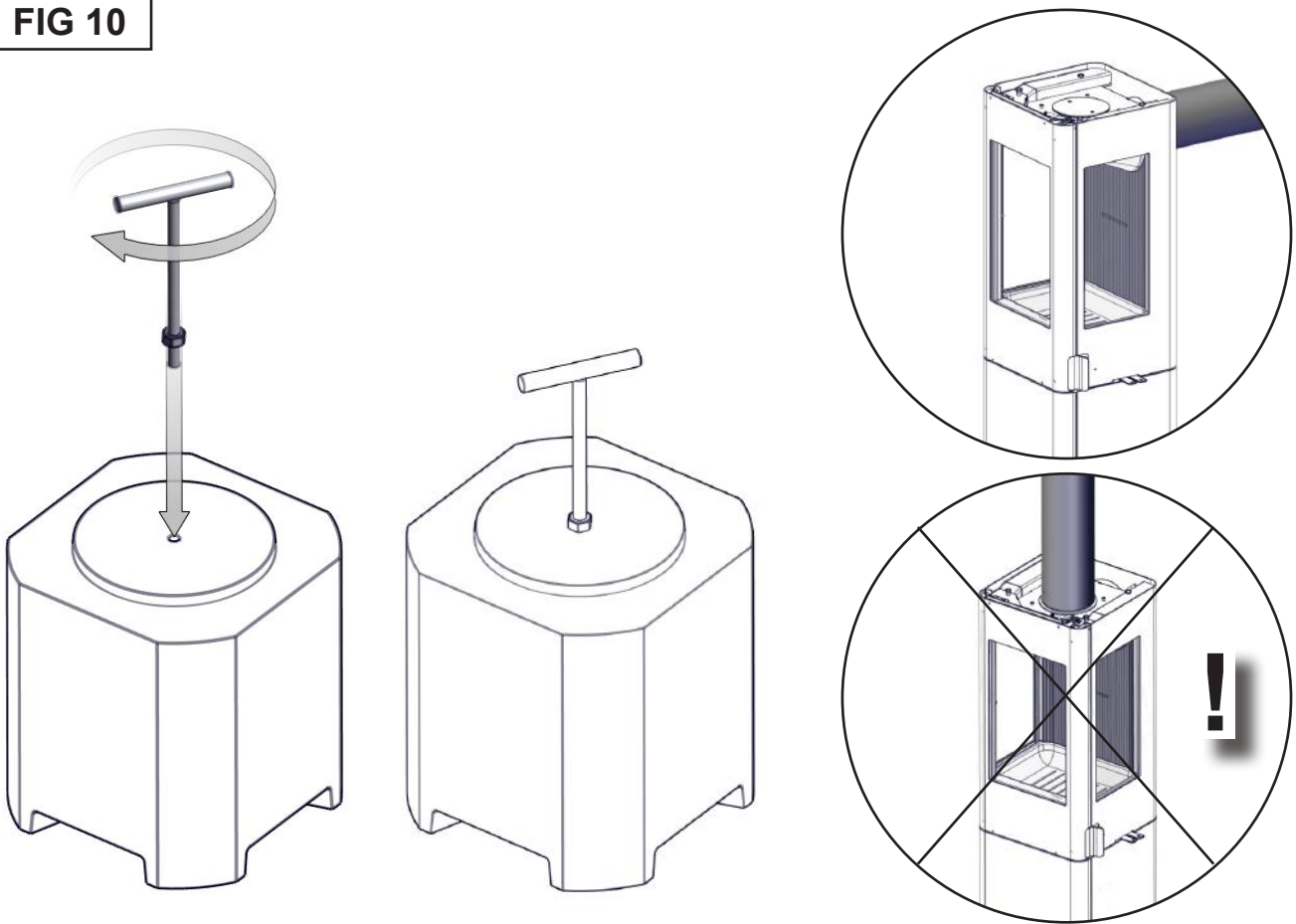


FIG 10a

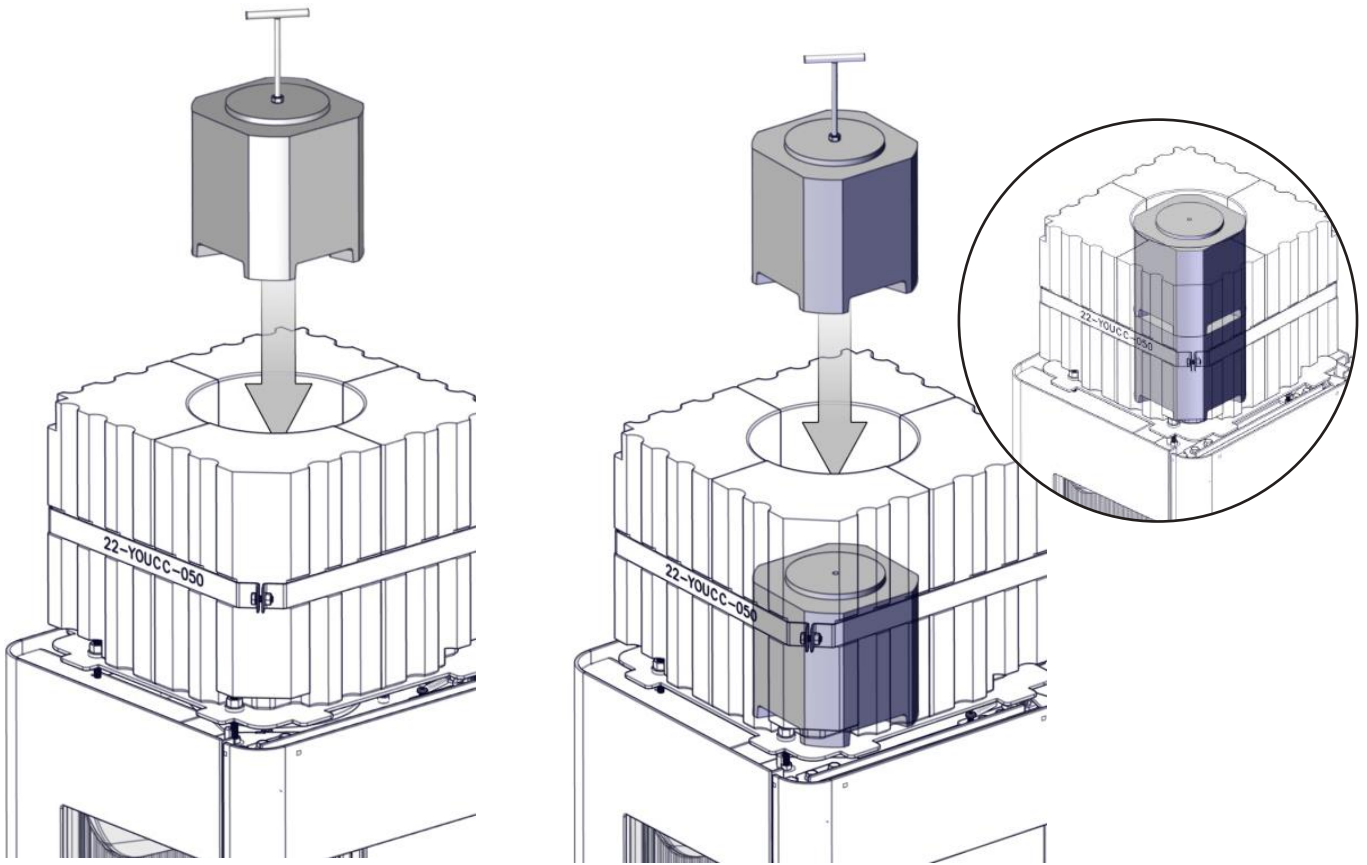


FIG 11

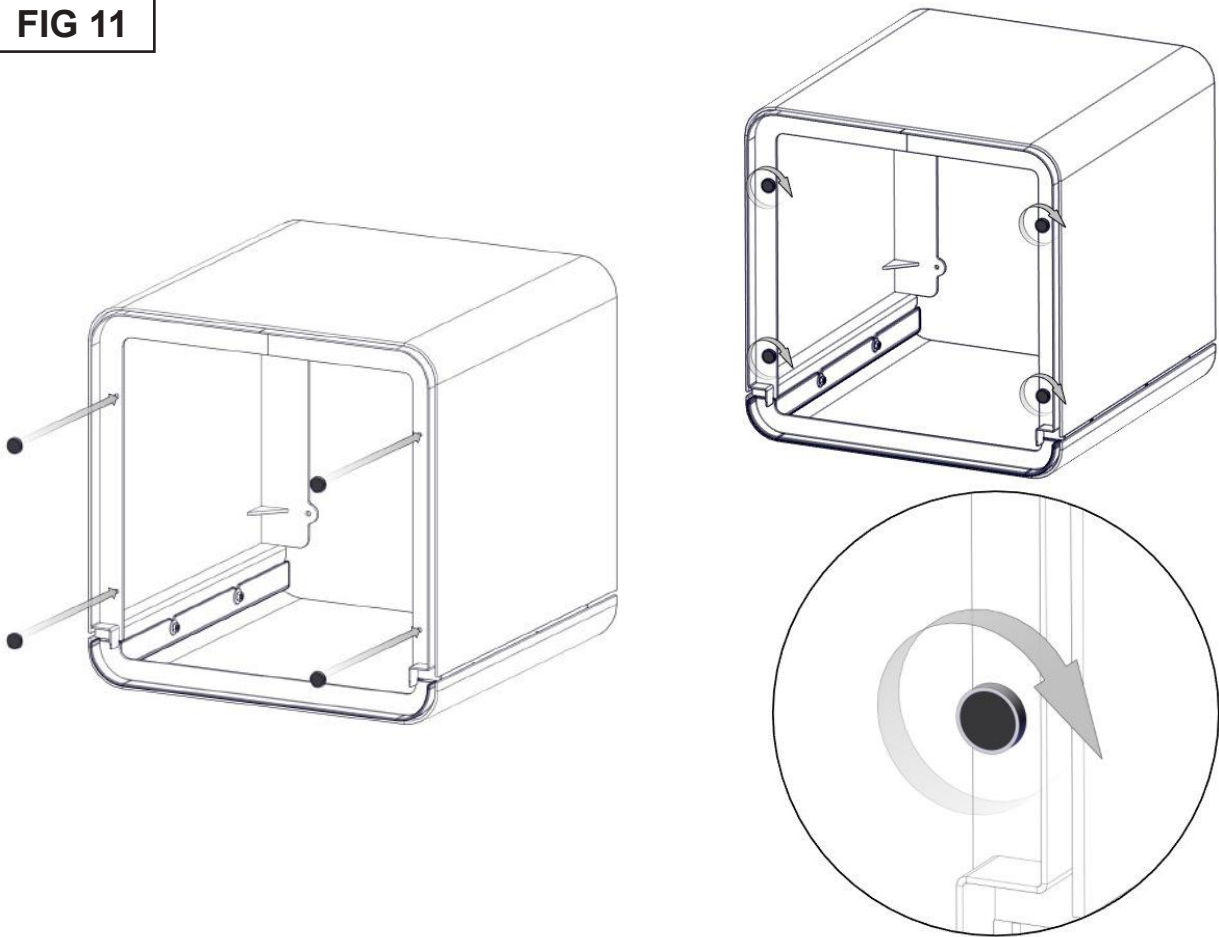


FIG 12

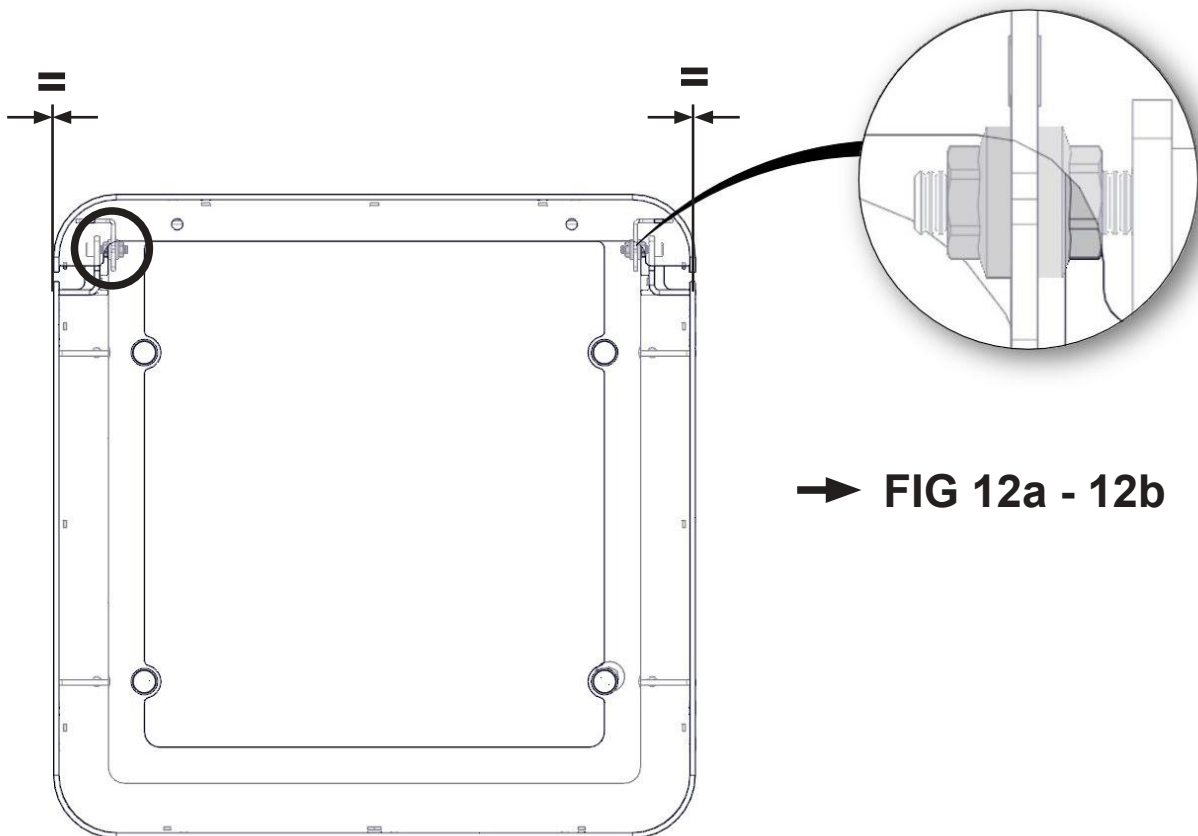


FIG 12a

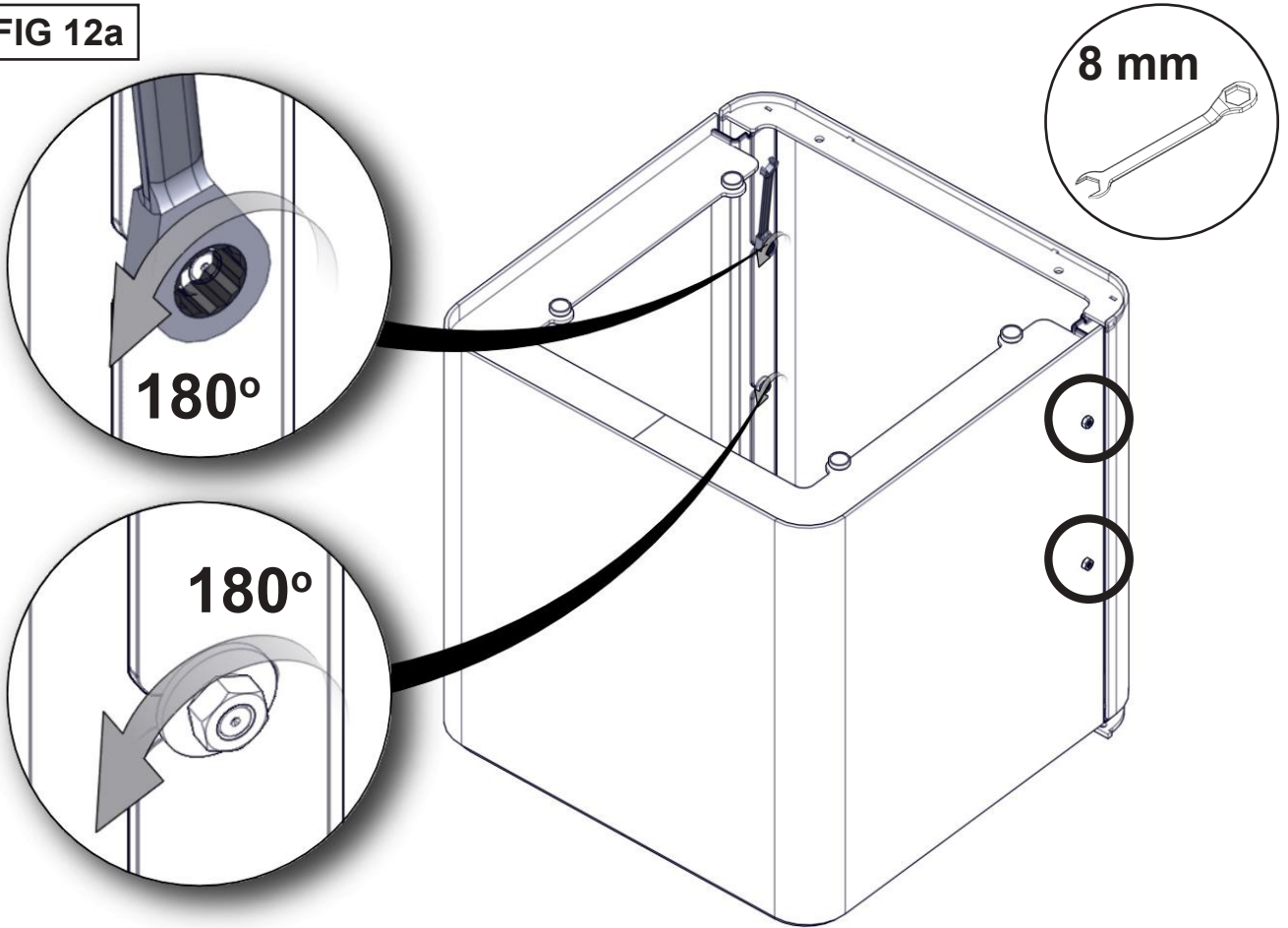


FIG 12b

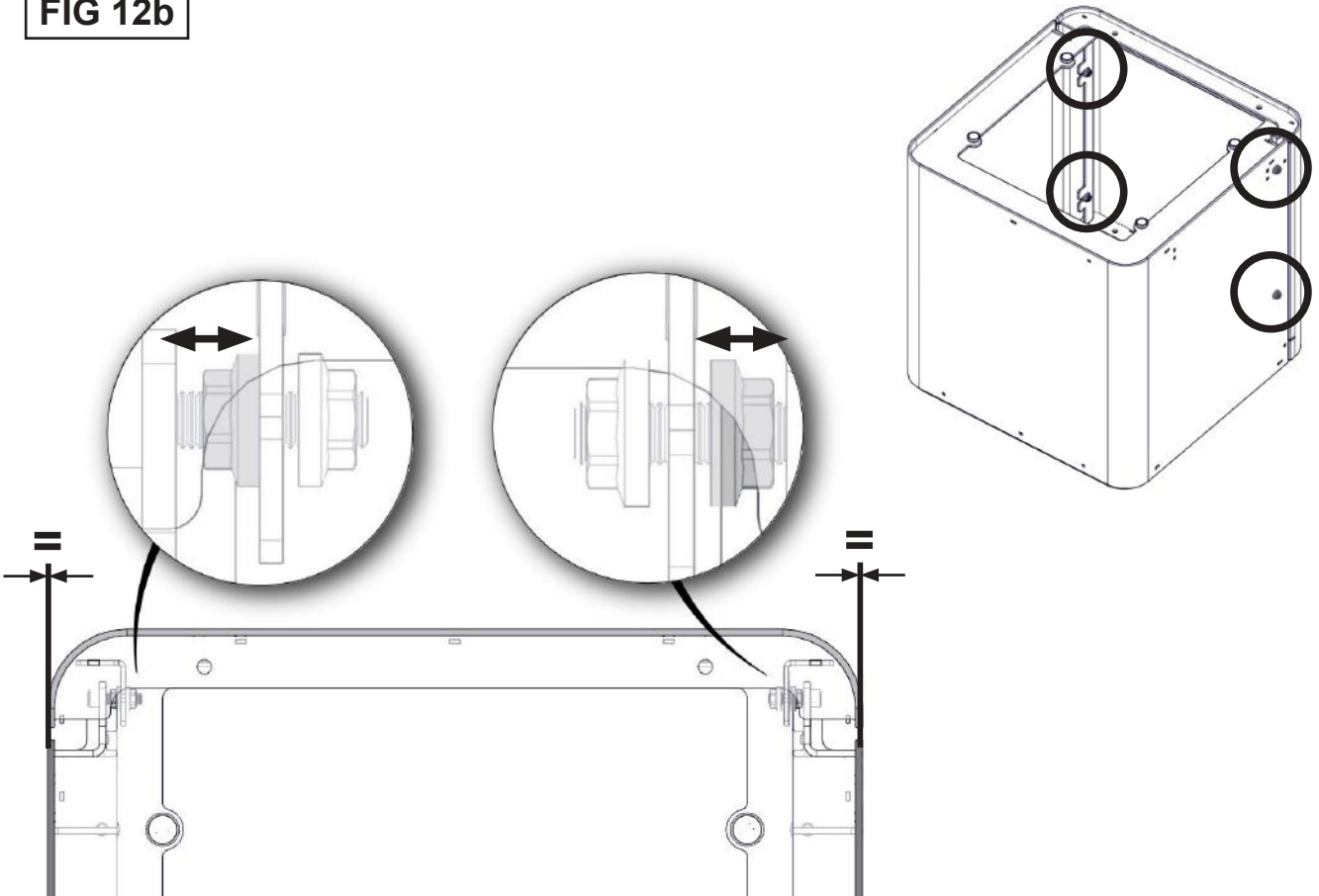


FIG 13

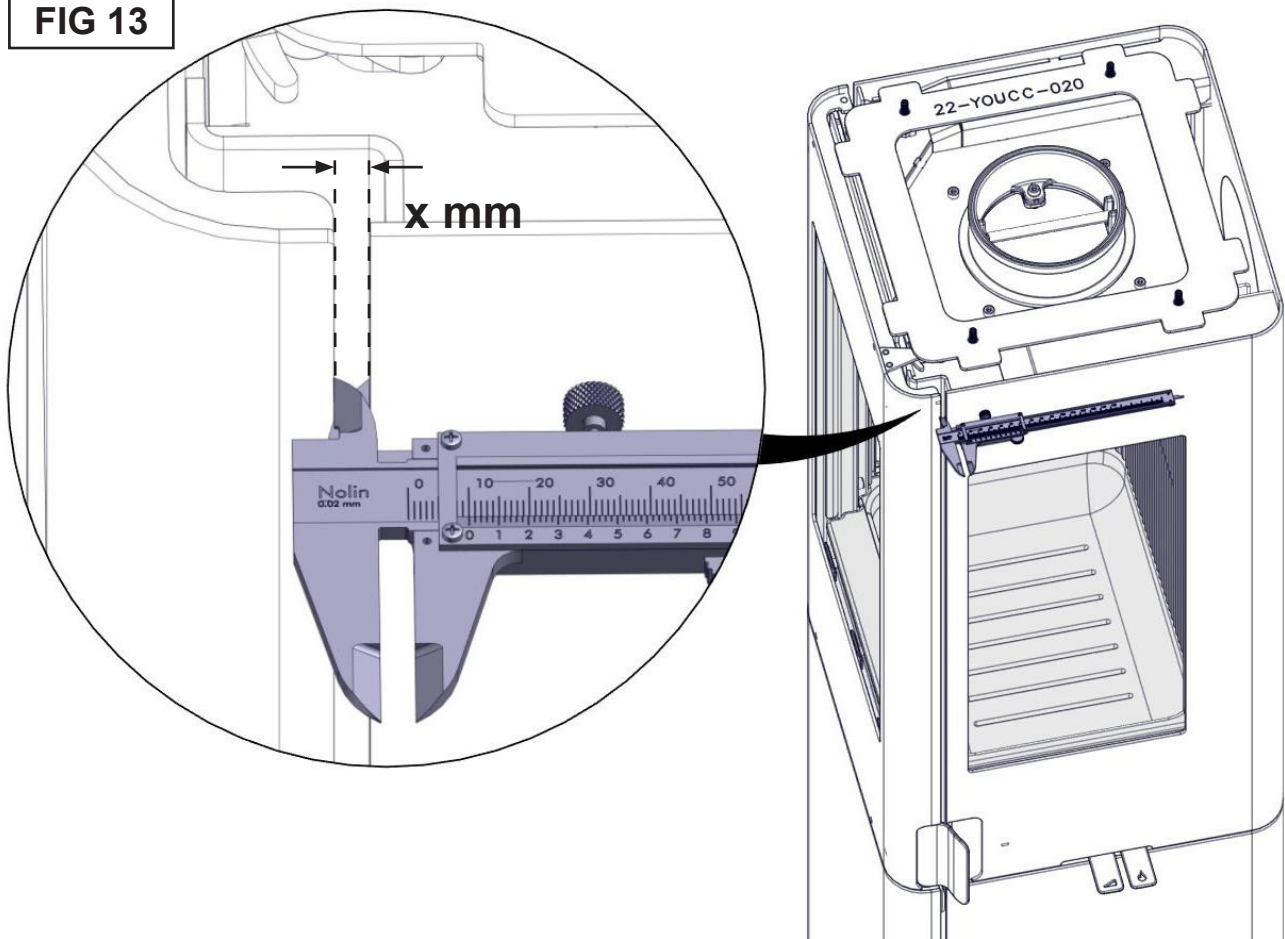
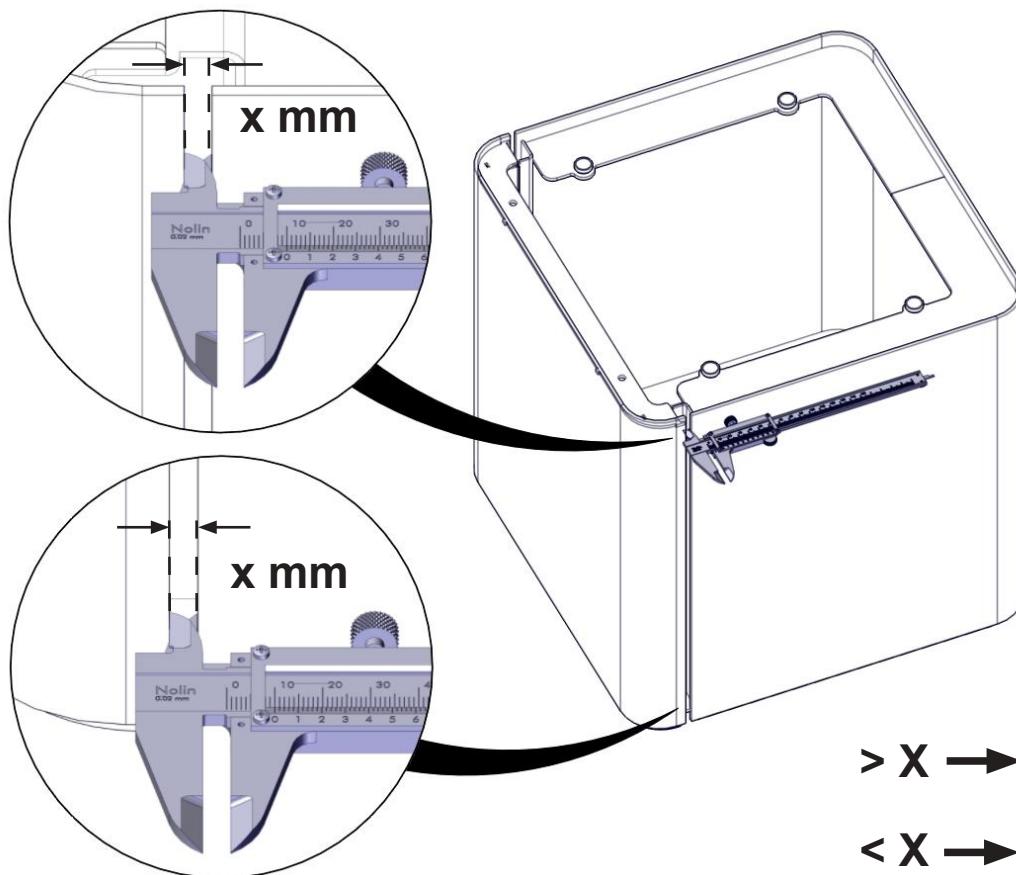


FIG 13a

FIG13a = FIG 13



> X → FIG 13b

< X → FIG 13b

FIG 13b

0mm

8 mm

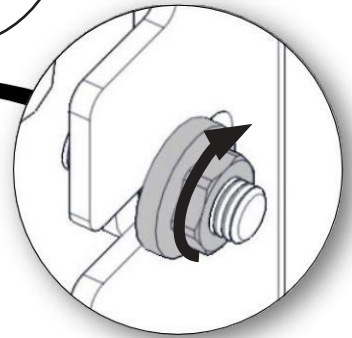
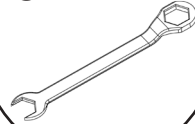
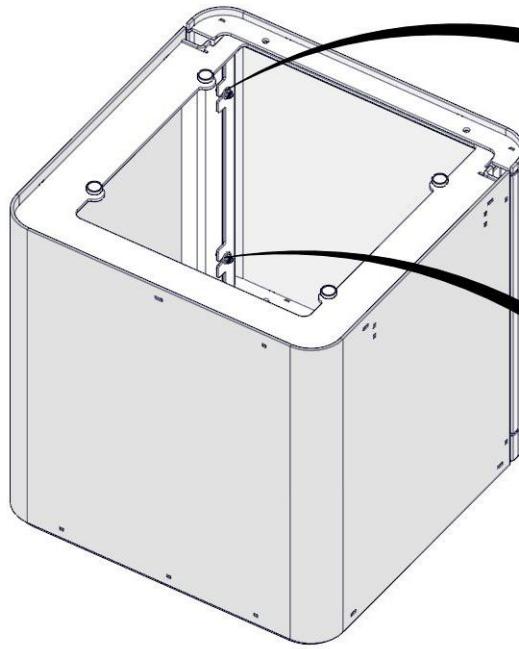
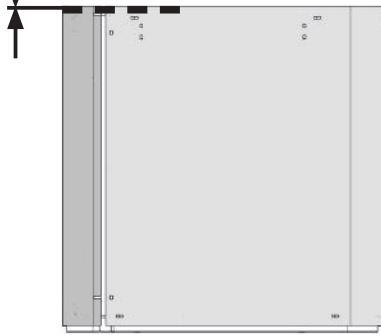


FIG 14

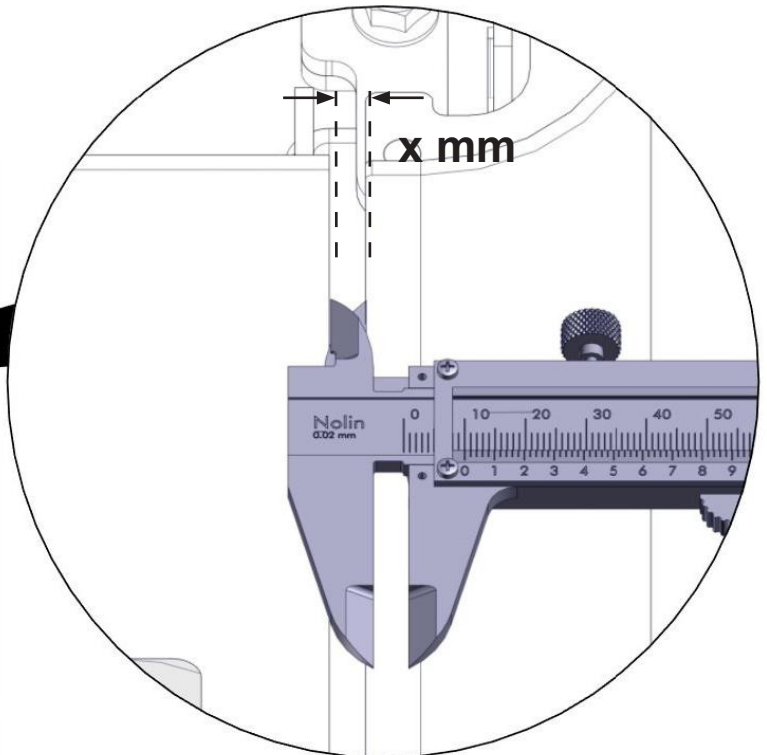
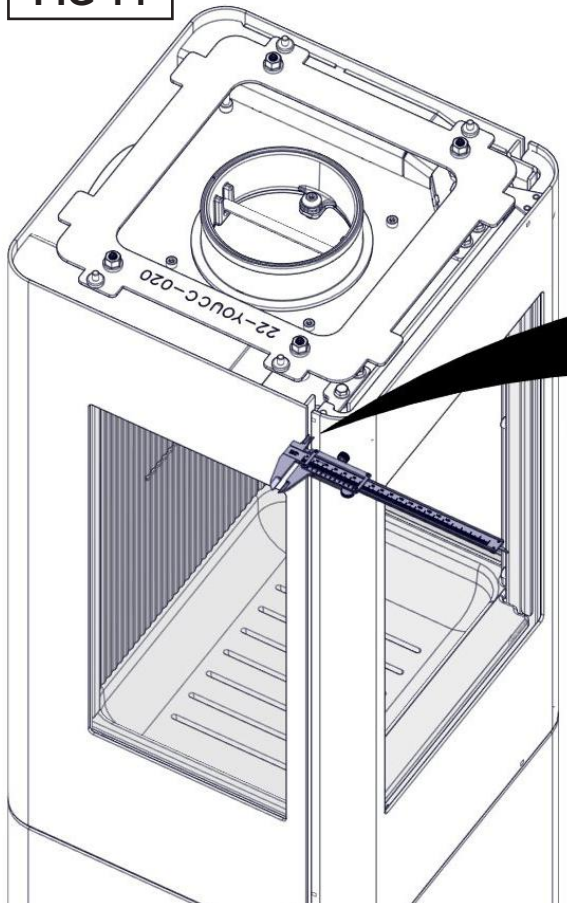


FIG 14a

FIG14a = FIG 14

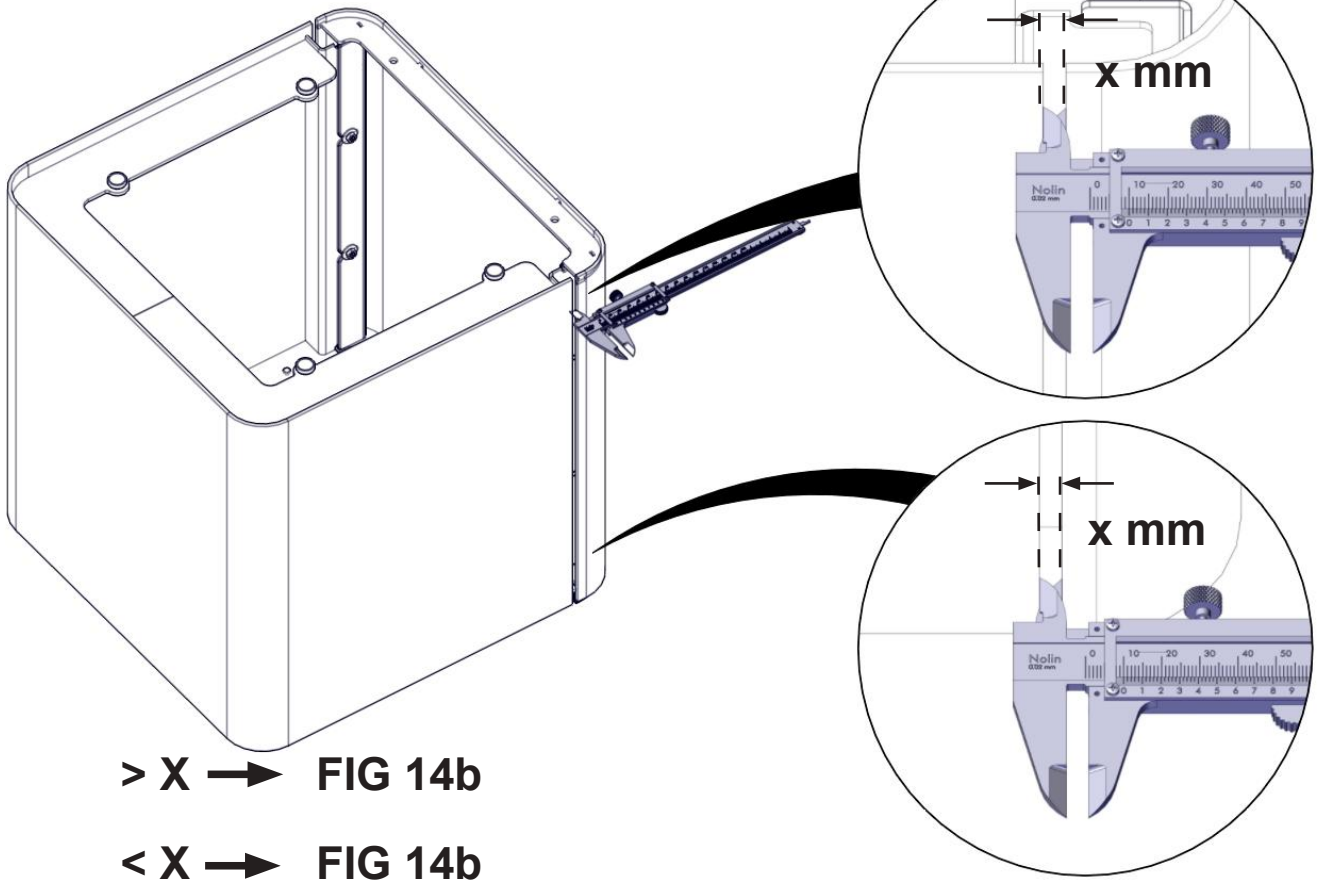


FIG 14b

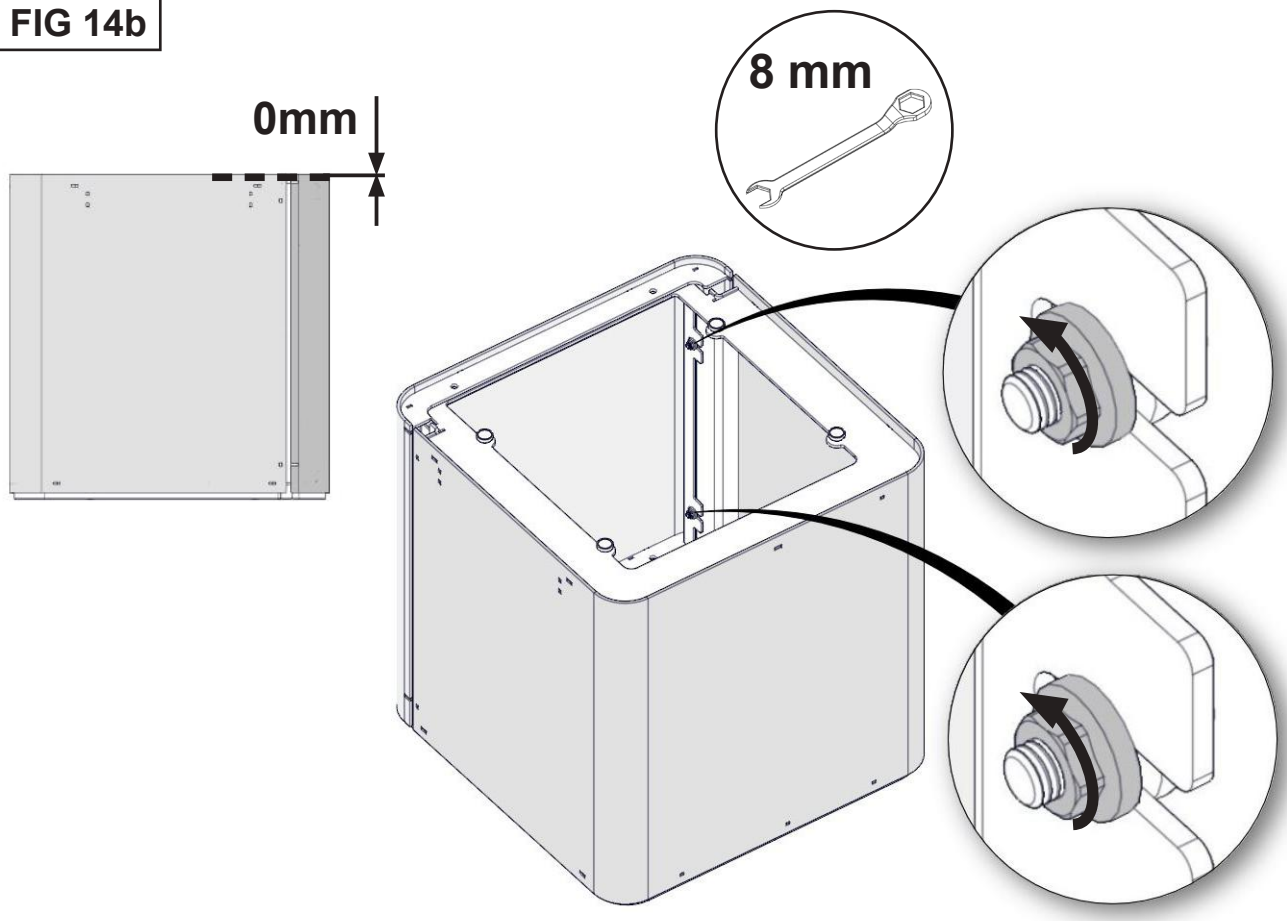


FIG 15

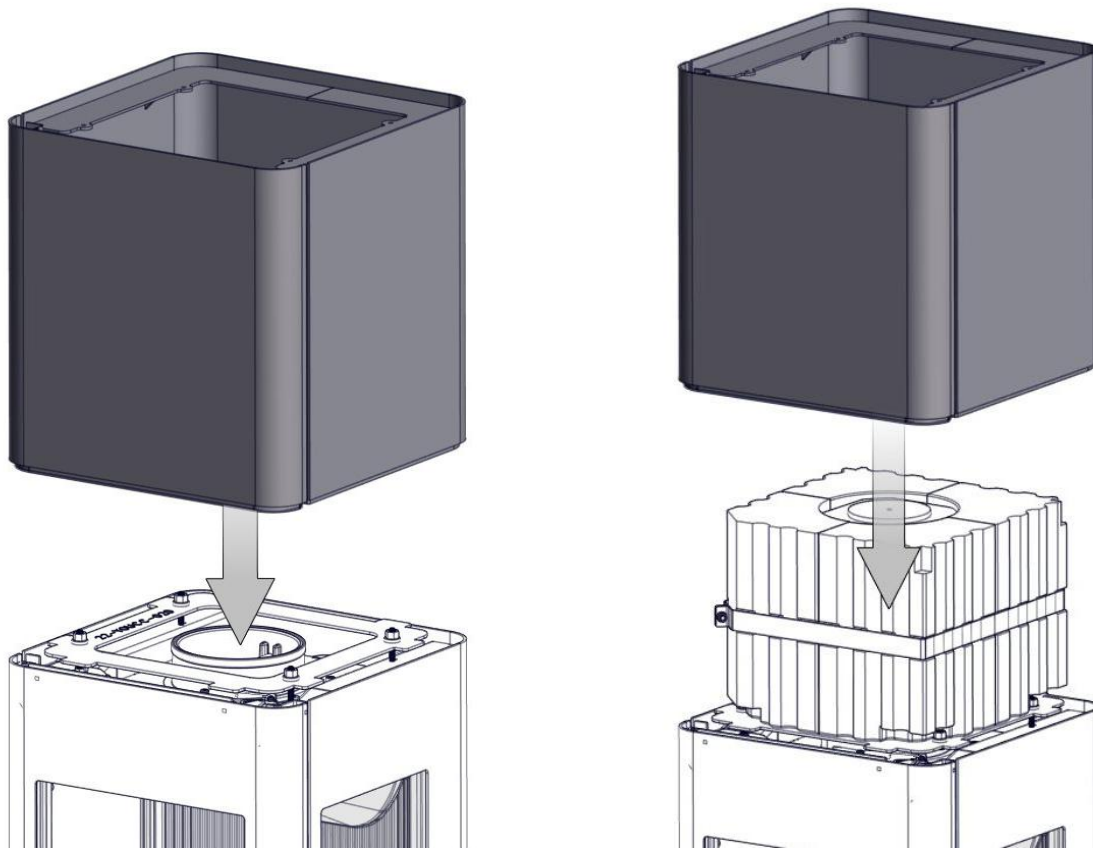


FIG 16

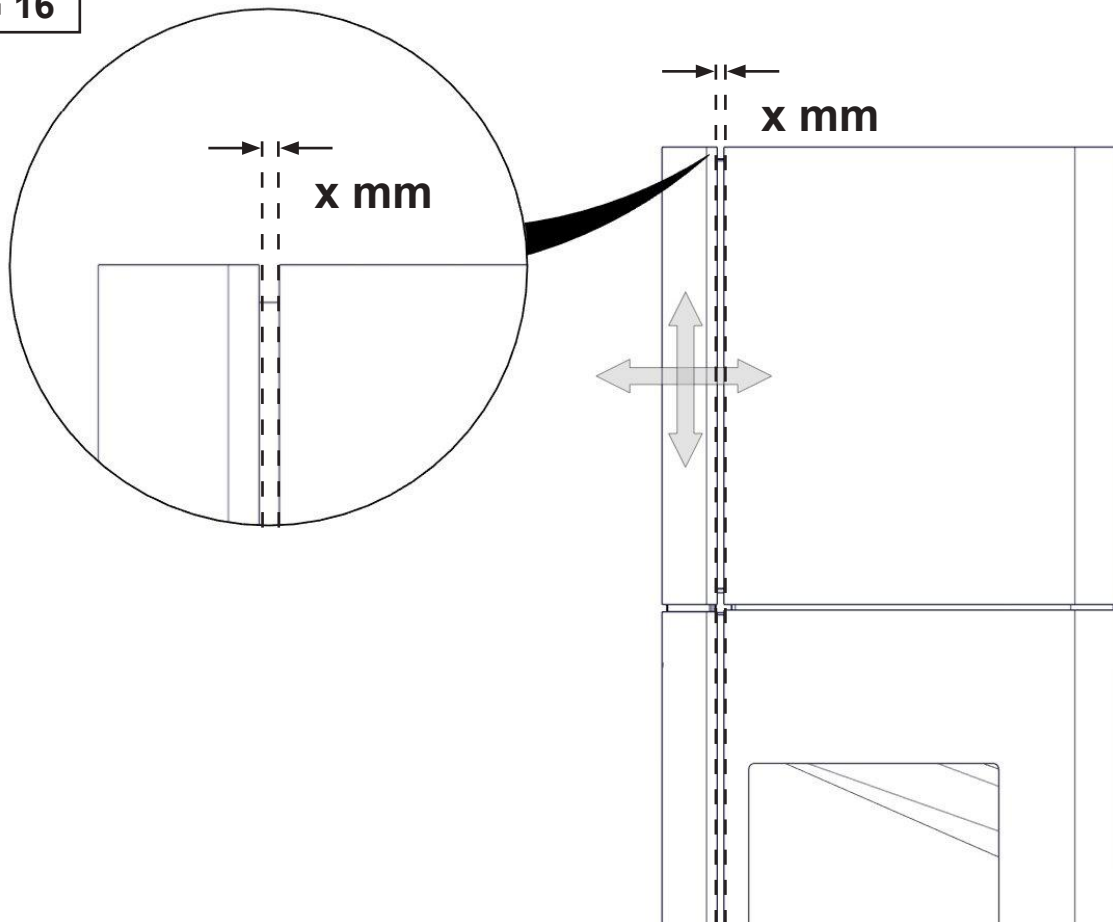
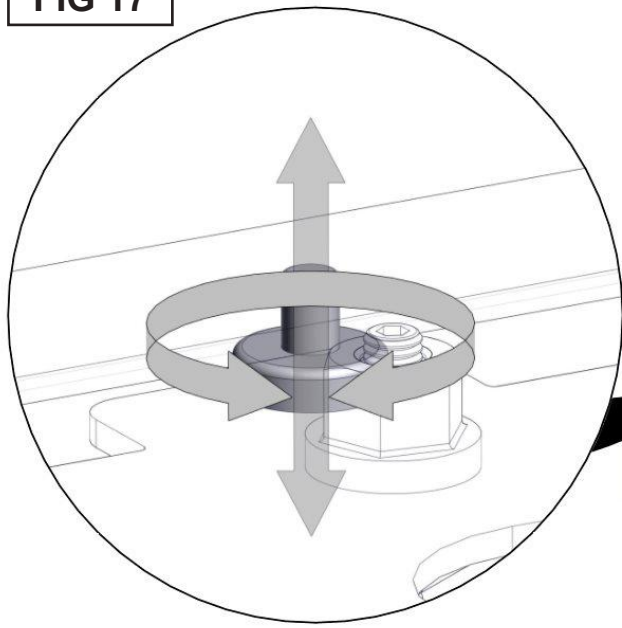


FIG 17



4x

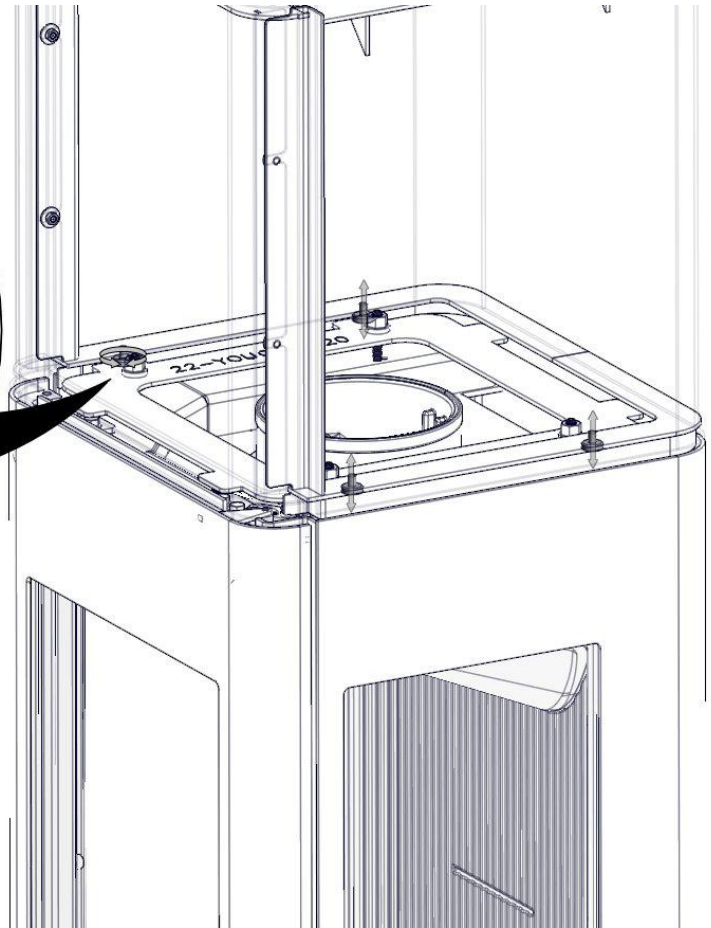


FIG 17a

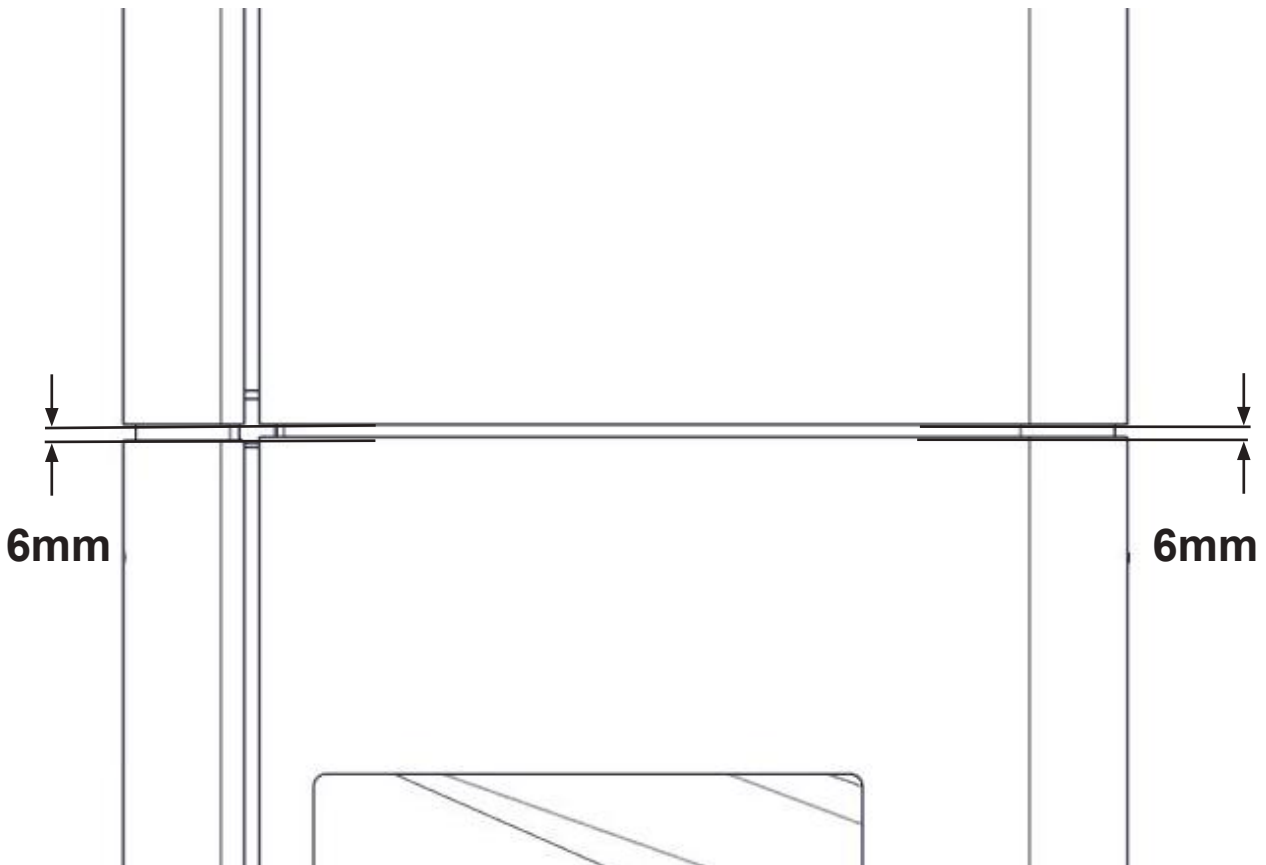


FIG 17b

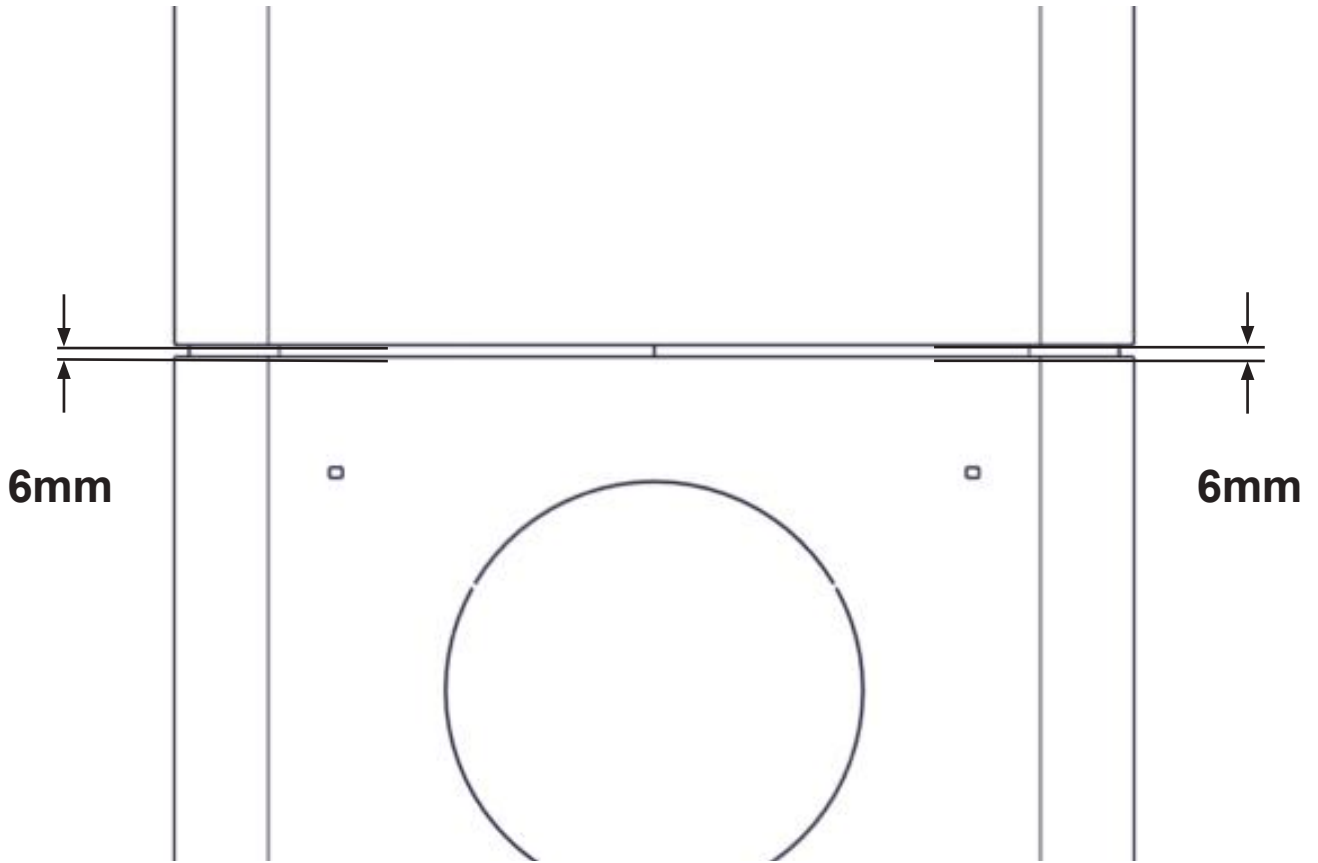


FIG 18

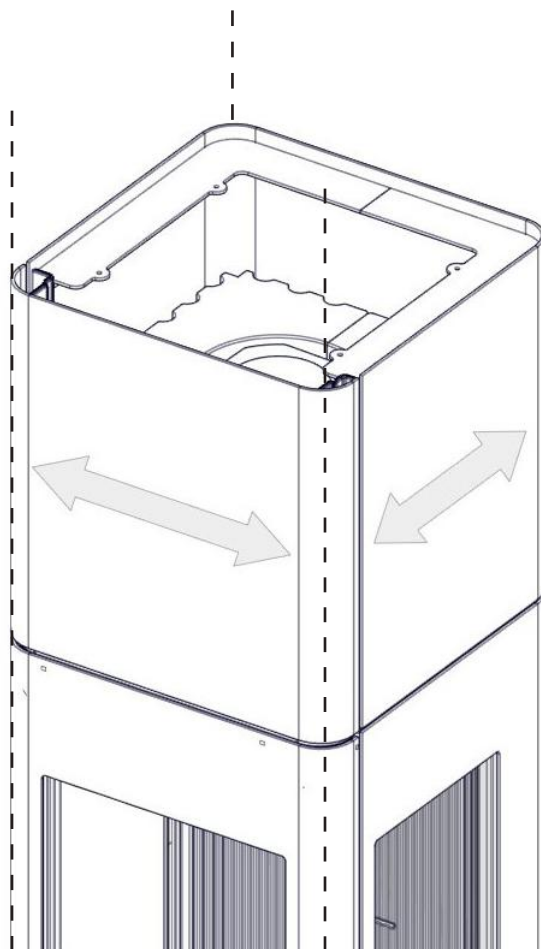


FIG 19

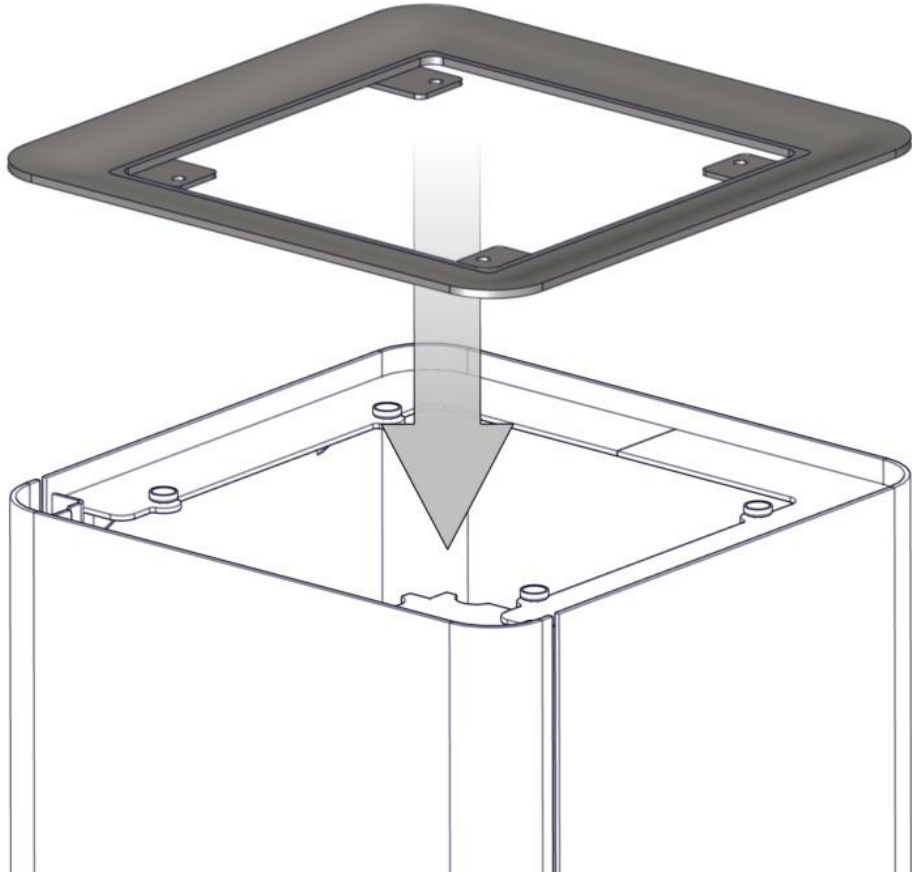


FIG 19a

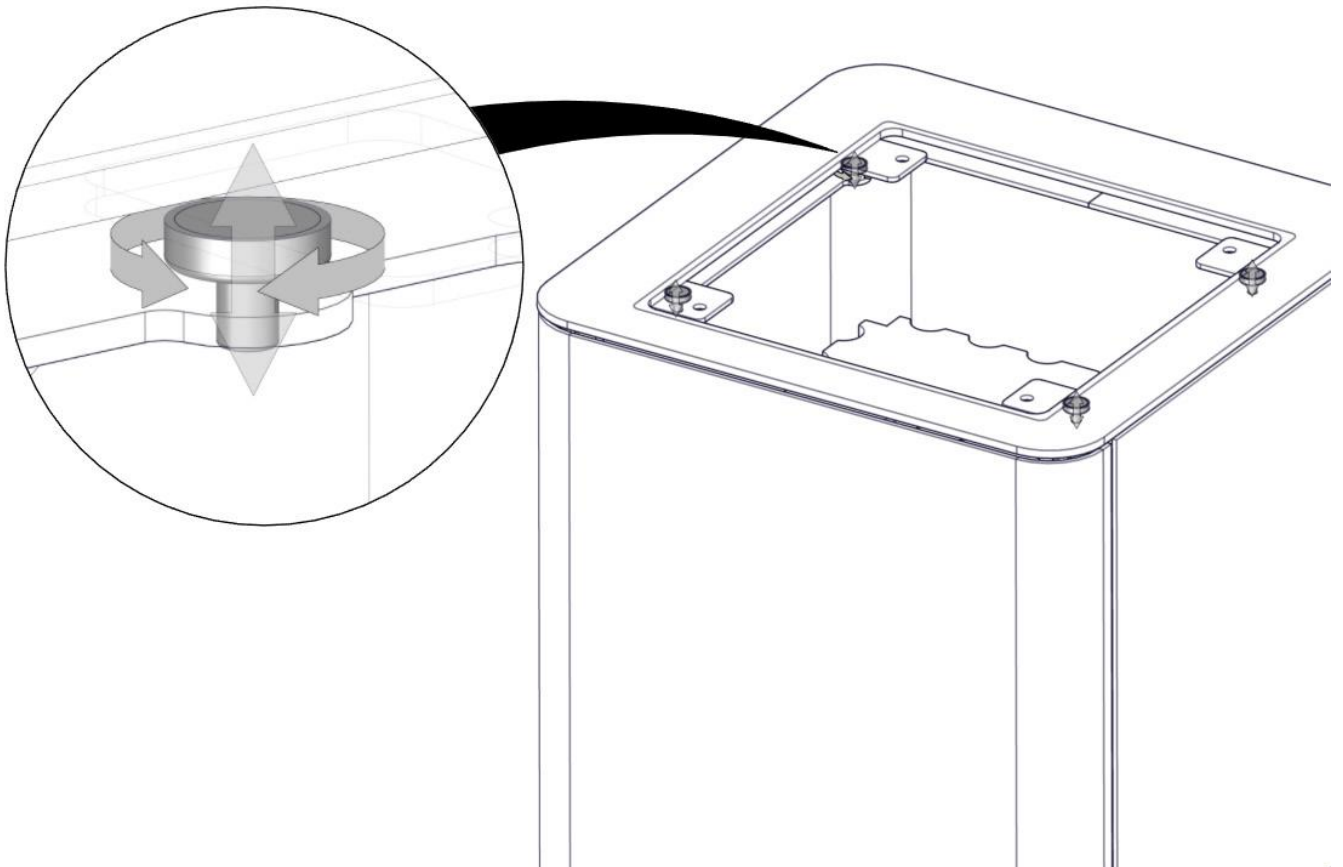


FIG 20

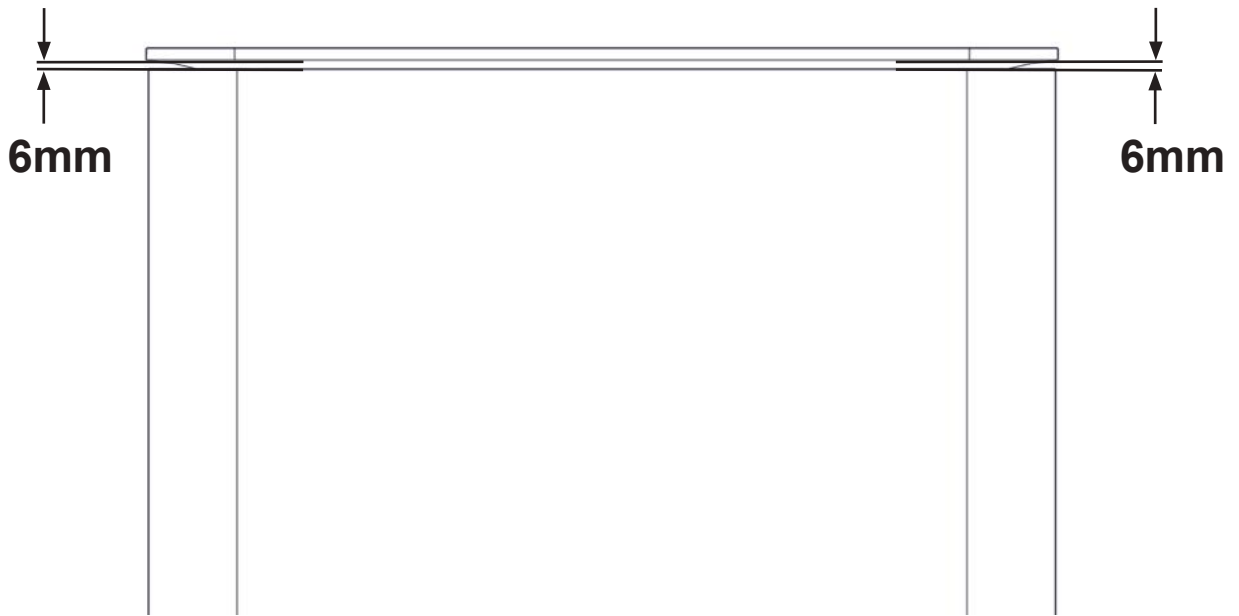


FIG 21

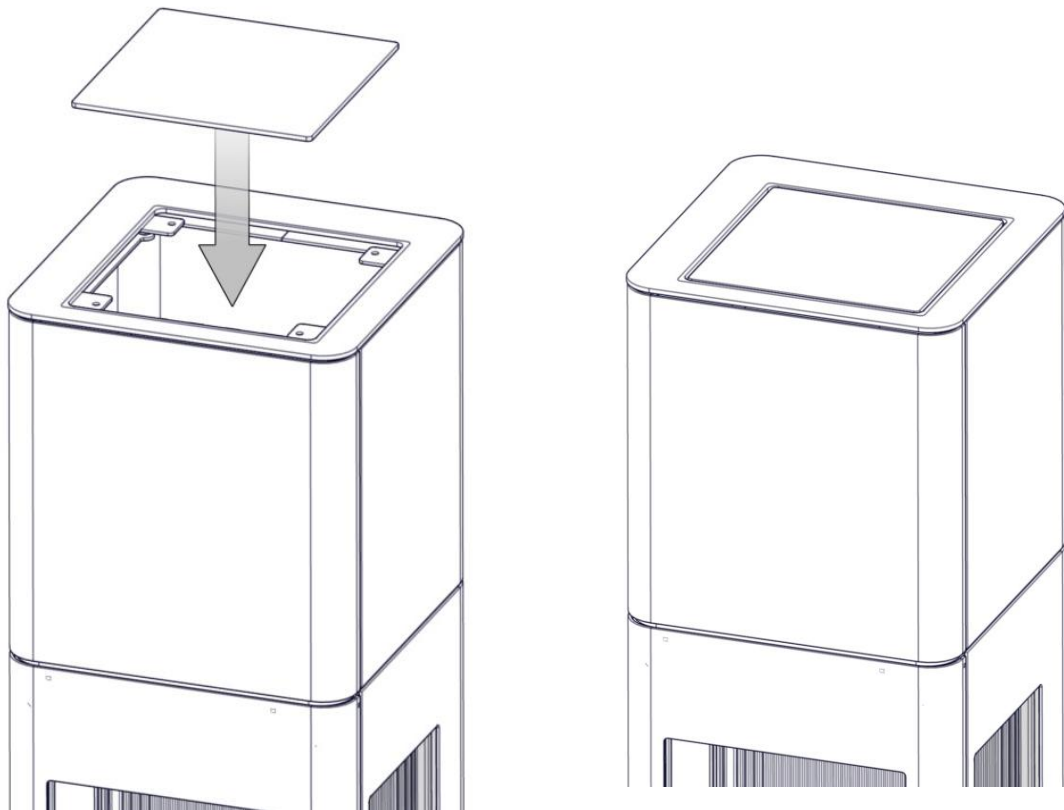
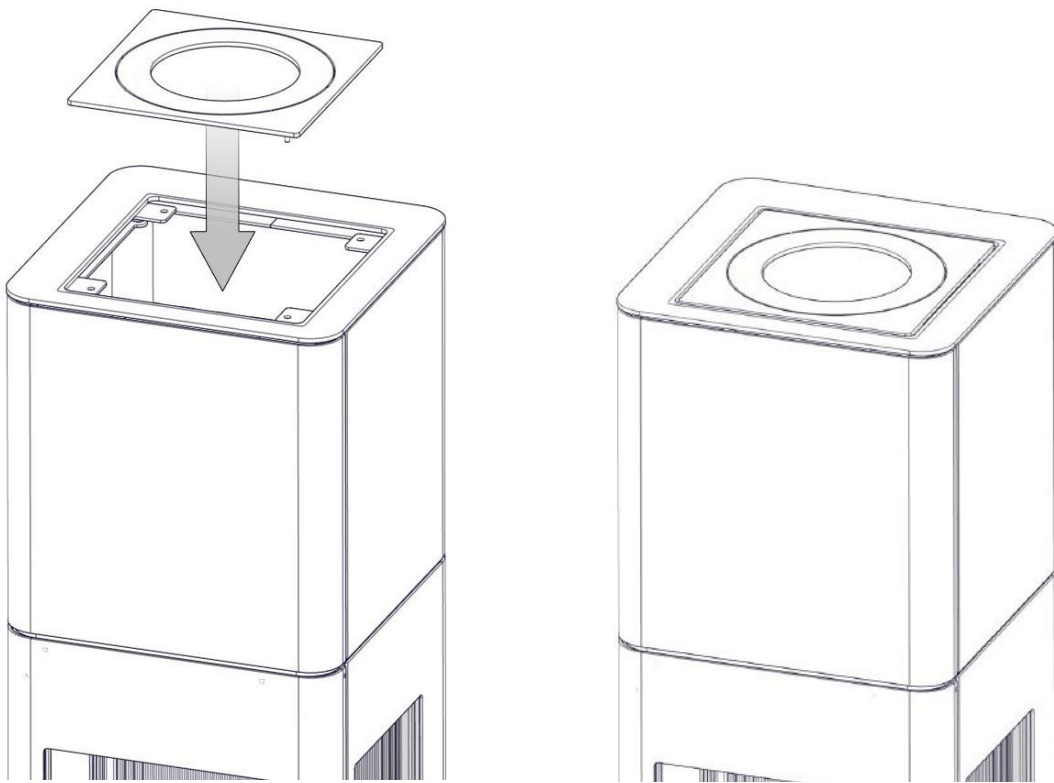


FIG 22





Nordpeis AS, Gjellebekkstubben 11, 3420 LIERSKOGEN, Norway
www.nordpeis.com