

---

## Serial number placement

---

# INDEX

## 1. ACCUMULATING STOVES

|                            |   |
|----------------------------|---|
| 1.1 Salzburg C.....        | 4 |
| 1.2 Salzburg L Series..... | 5 |
| 1.3 Salzburg M Series..... | 6 |
| 1.4 Salzburg S.....        | 7 |
| 1.5 Salzburg XL.....       | 8 |
| 1.6 Salzburg R.....        | 9 |

## 2. INSERTS

|                                   |    |
|-----------------------------------|----|
| 2.1 N-20A, N-21A Exclusive.....   | 10 |
| 2.2 N-20F, N-21F Exclusive.....   | 11 |
| 2.3 N-20T, N-21T Exclusive.....   | 12 |
| 2.4 N-20U, N-21U Exclusive.....   | 13 |
| 2.5 N-21.....                     | 14 |
| 2.6 N-23G.....                    | 15 |
| 2.7 N-24.....                     | 16 |
| 2.8 N-36A.....                    | 17 |
| 2.9 N-29U/A.....                  | 18 |
| 2.10 N-29P/T.....                 | 19 |
| 2.11 NI-22.....                   | 20 |
| 2.12 NI-25.....                   | 21 |
| 2.13 Q-23.....                    | 22 |
| 2.14 Q-24UL.....                  | 23 |
| 2.15 Q-27.....                    | 24 |
| 2.16 Q-30.....                    | 25 |
| 2.17 Q-34 AL.....                 | 26 |
| 2.18 Q-34 UL.....                 | 27 |
| 2.19 S-18F, S-18U.....            | 28 |
| 2.20 S-26R.....                   | 29 |
| 2.21 X-20F.....                   | 30 |
| 2.22 X-25F.....                   | 31 |
| 2.23 S-31A Basic / Exclusive..... | 32 |

## 3. STOVES

|                                   |       |
|-----------------------------------|-------|
| 3.1 Bergen, Glasgow.....          | 33    |
| 3.2 Duo.....                      | 34    |
| 3.3 Orion.....                    | 35    |
| 3.4 Quadro Basic / Exclusive..... | 36    |
| 3.5 Saturn.....                   | 37    |
| 3.6 Smarty.....                   | 38    |
| 3.7 Uno.....                      | 39    |
| 3.8 Me.....                       | 40-41 |
| 3.9 Origo Series.....             | 42    |
| 3.10 YoU Series.....              | 43    |

## **Surrounds**

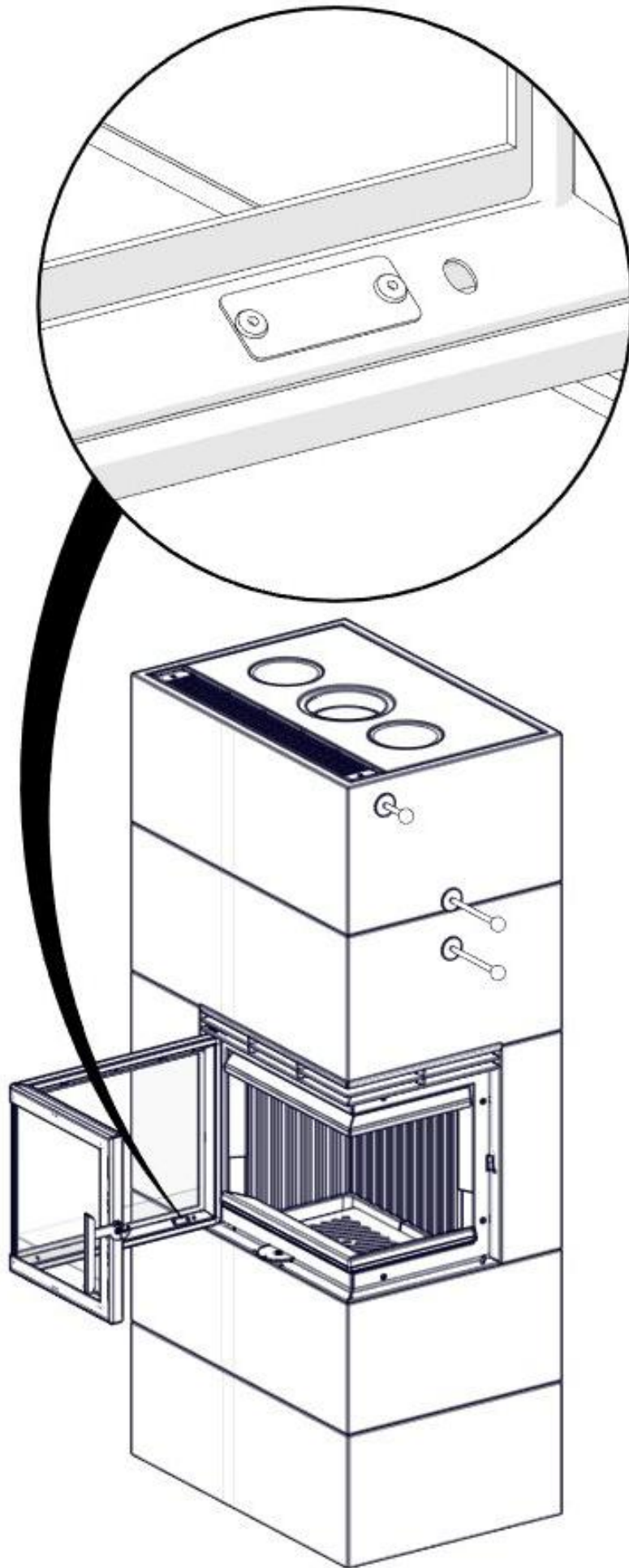
The serial number is to be found on a white or green sticker placed on a type label on one of the pallet sides, table of delivery, manual instruction and on one of the surround elements.

## **Accumulating stoves - surrounds parts**

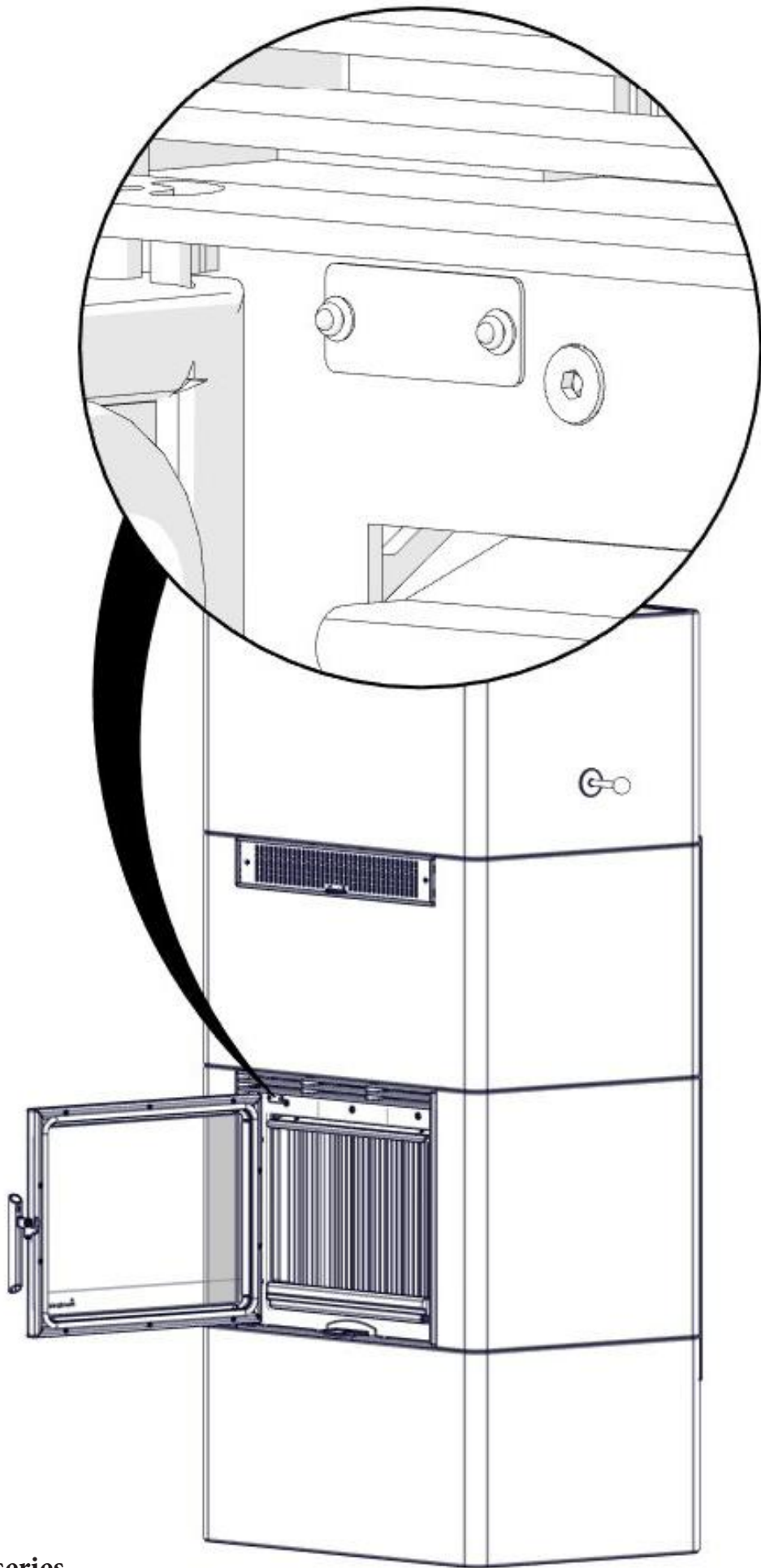
The serial number is to be found on the Warranty card and CE label as well as on a white or green sticker placed on a pallet side, table of delivery, manual instruction and one of the surround elements.

## **Accessories**

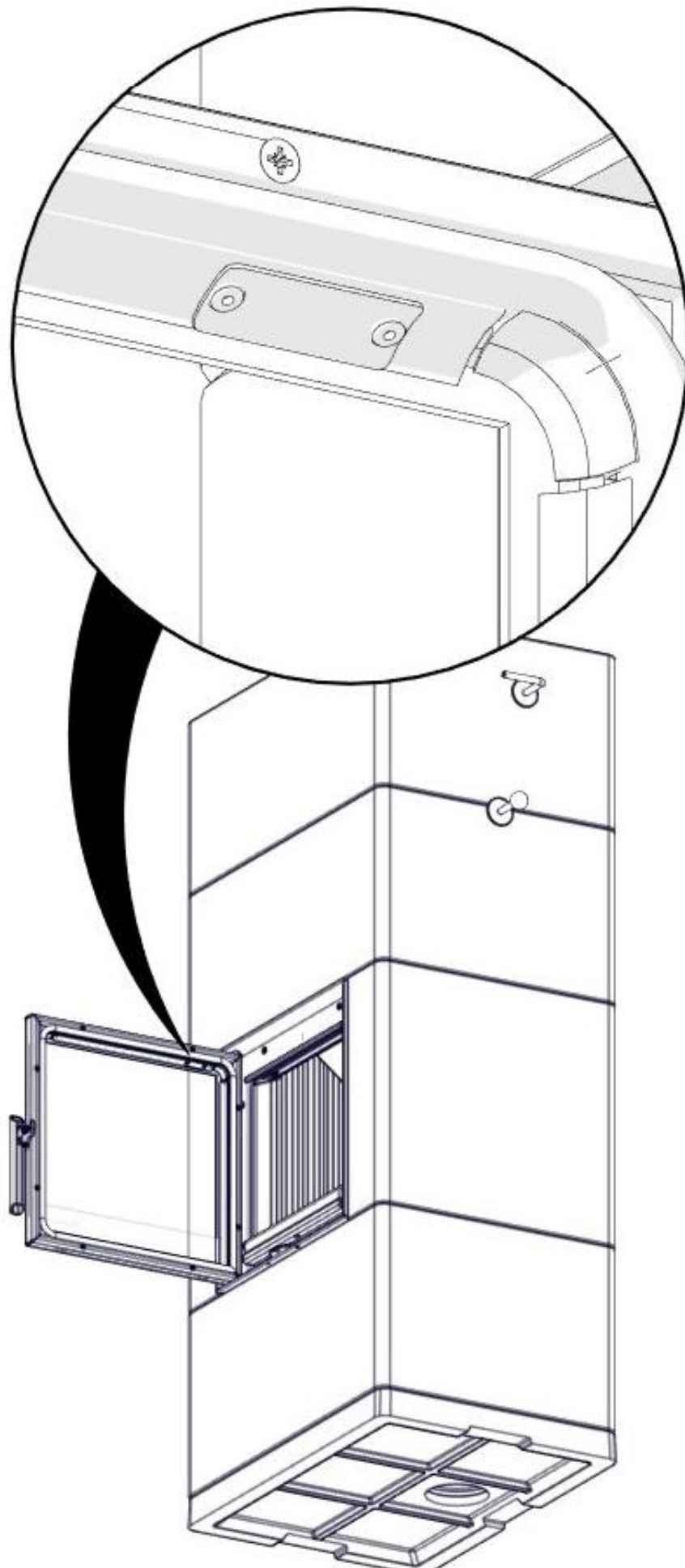
The serial number is to be found on a white or green sticker, placed on a type label and on the table of delivery.



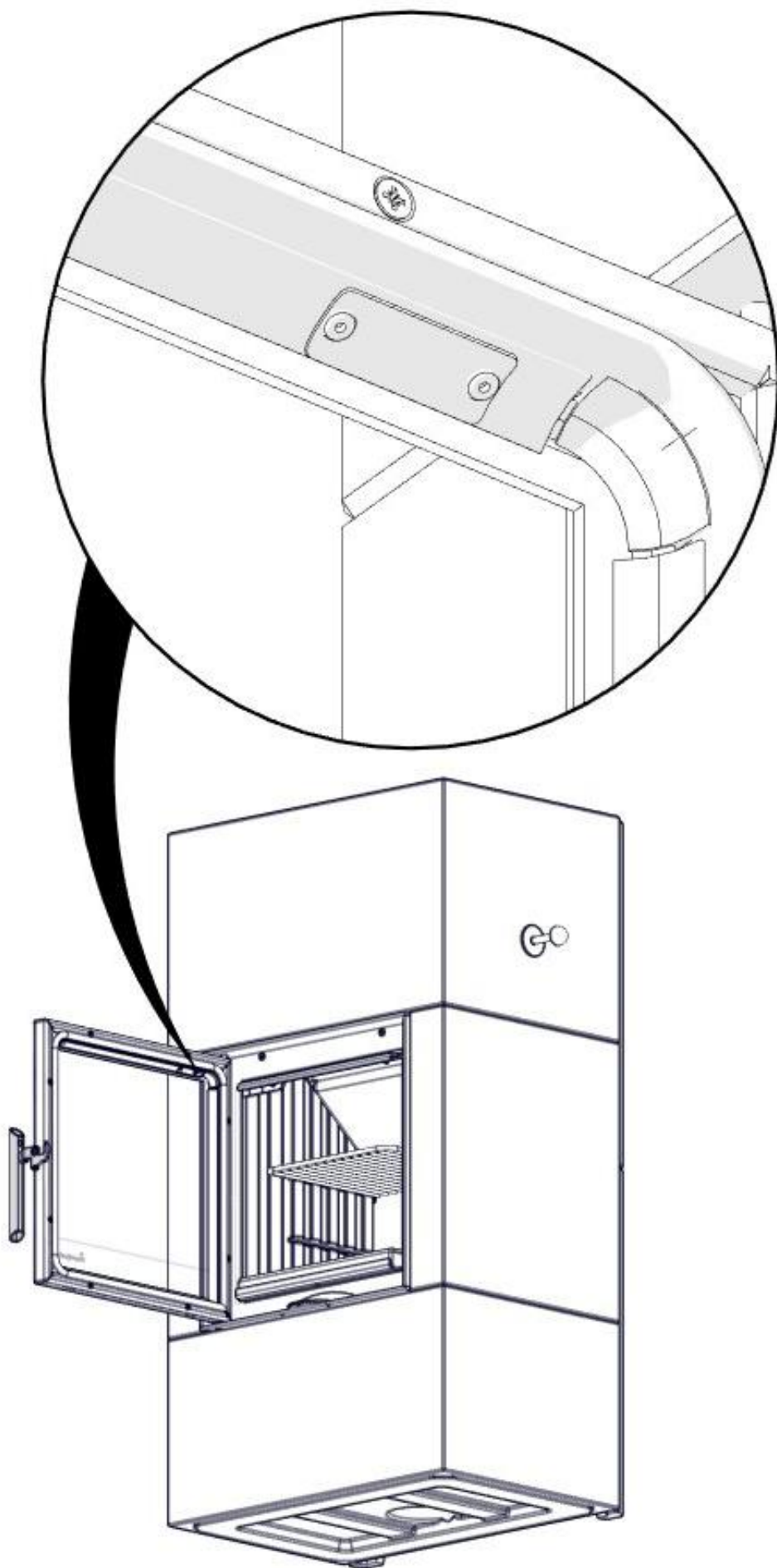
Salzburg C

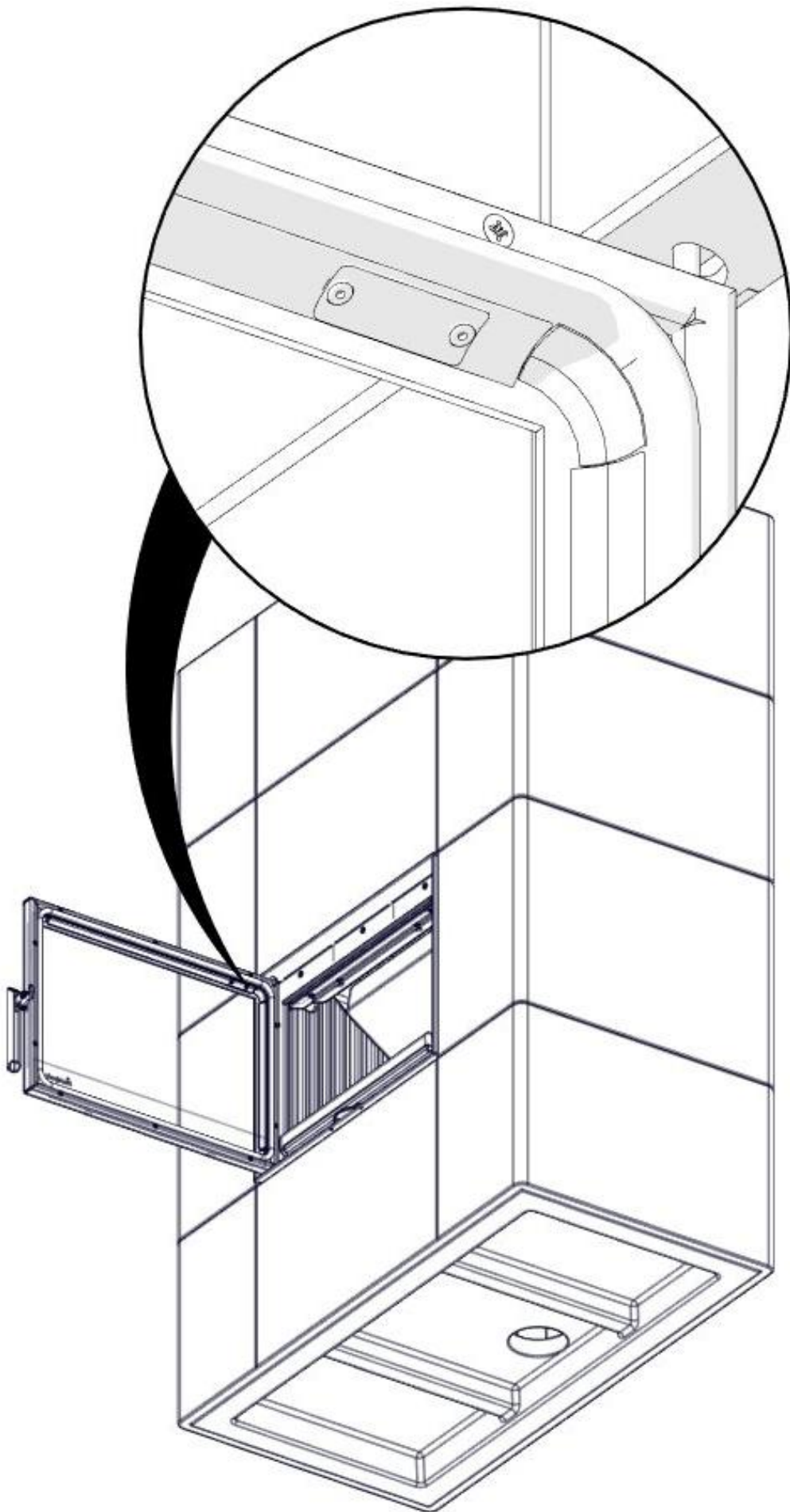


Salzburg L series

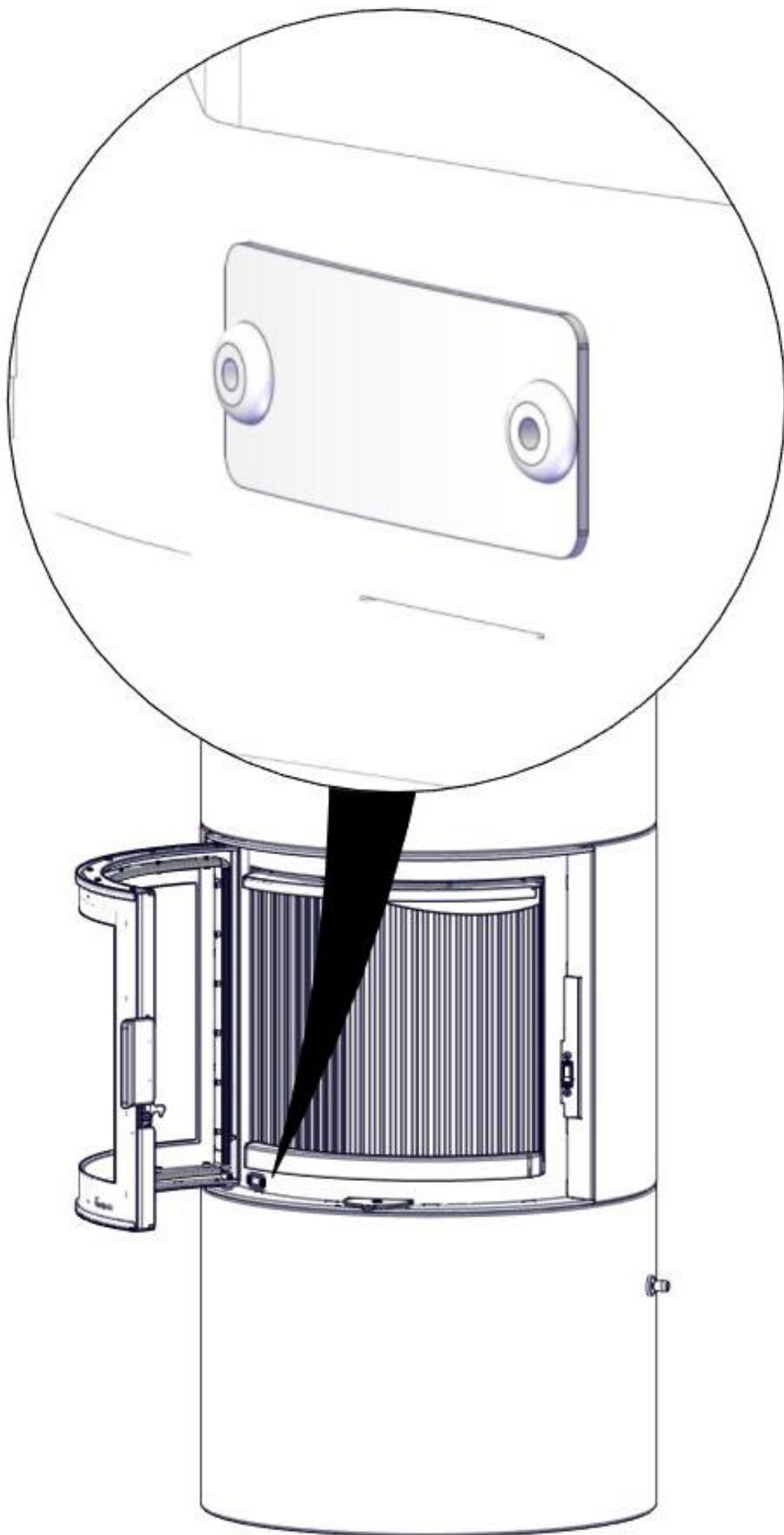


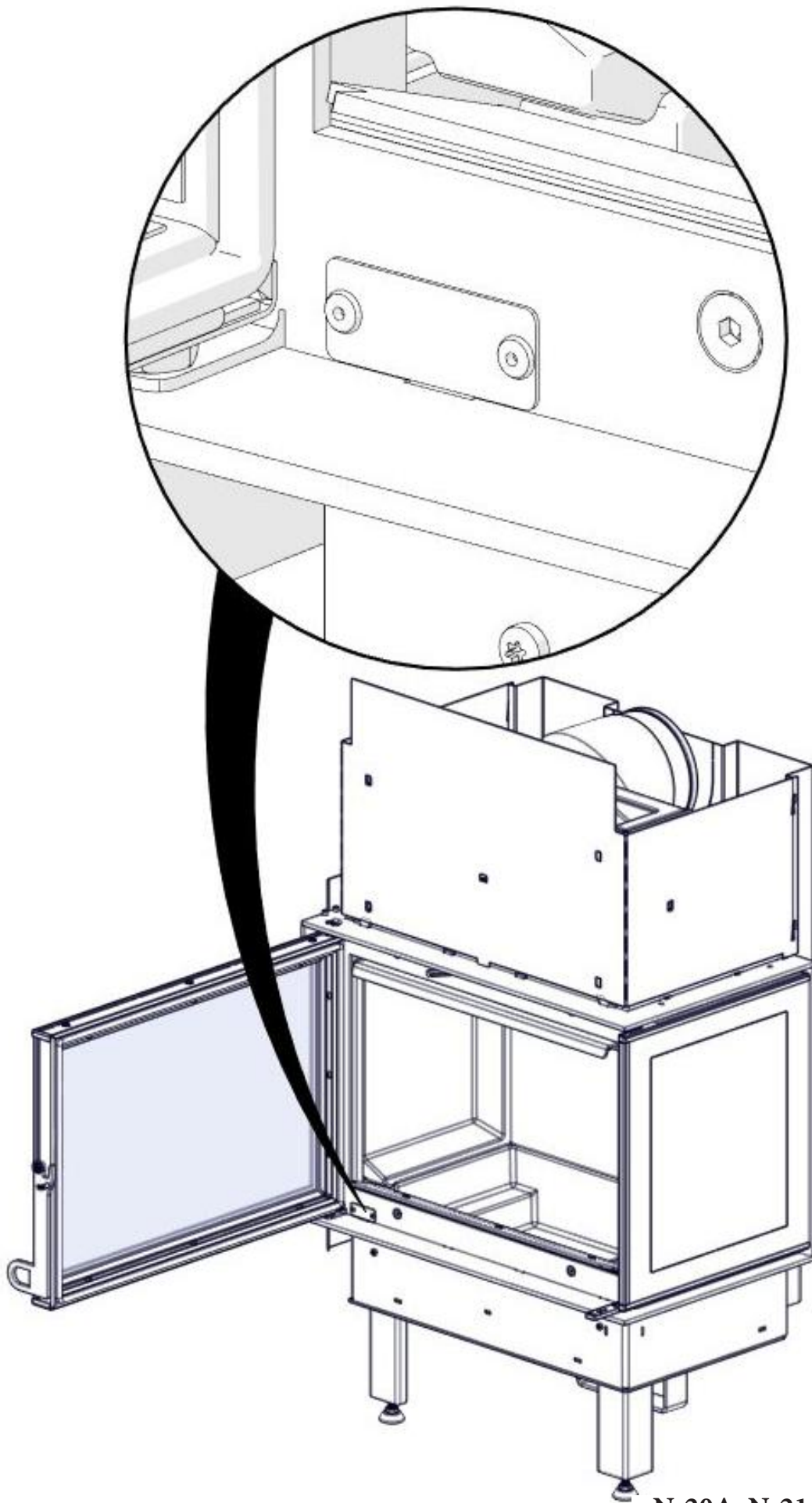
Salzburg M



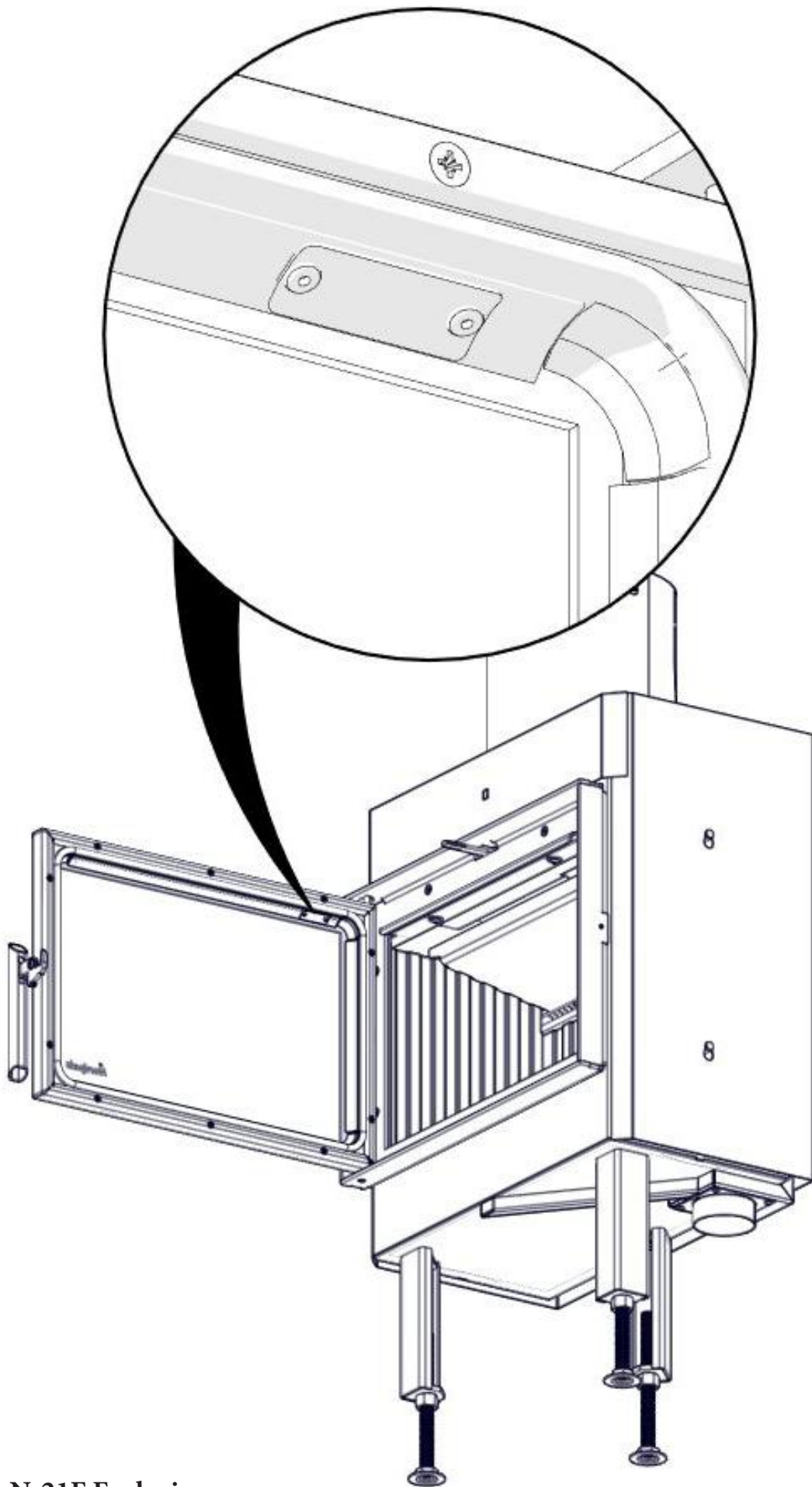


Salzburg XL

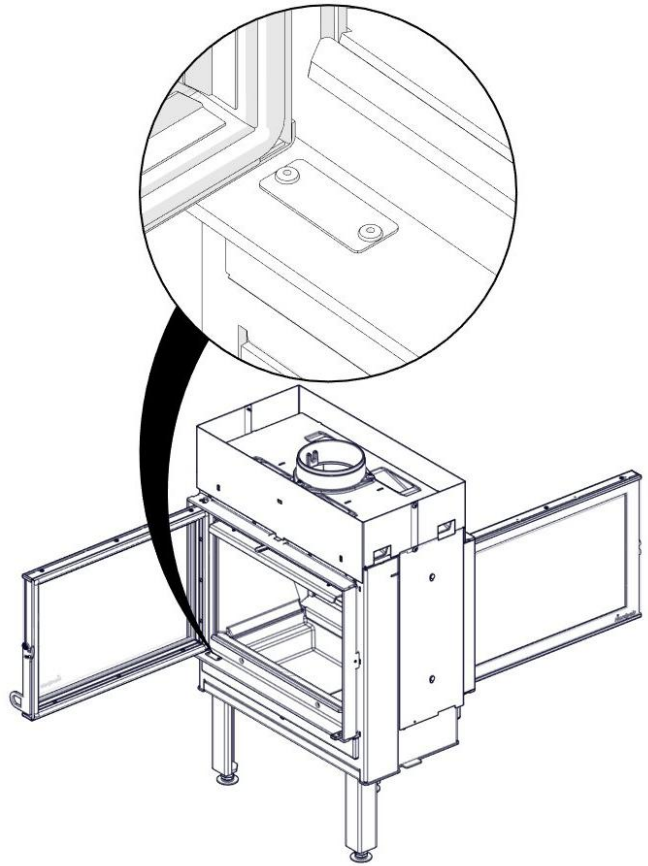
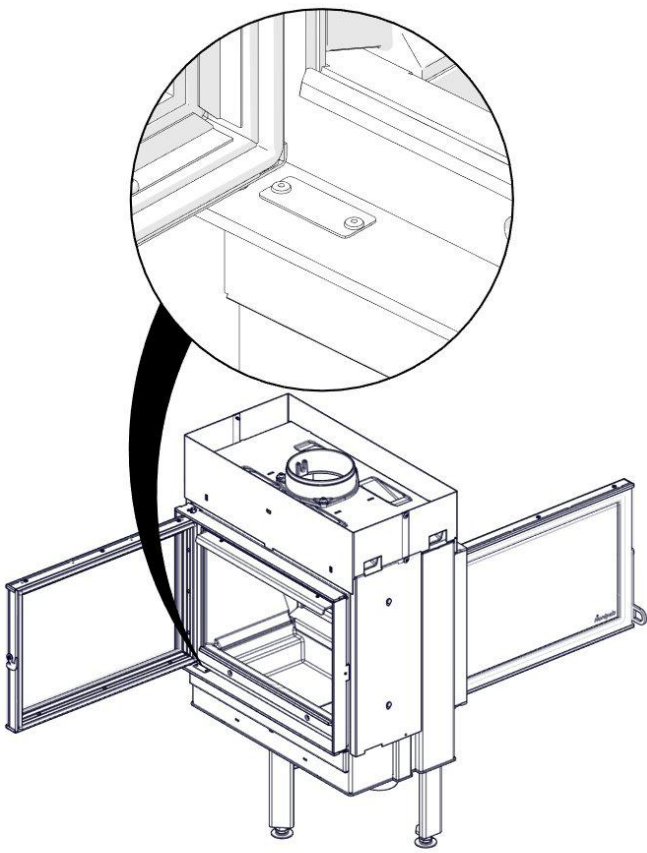




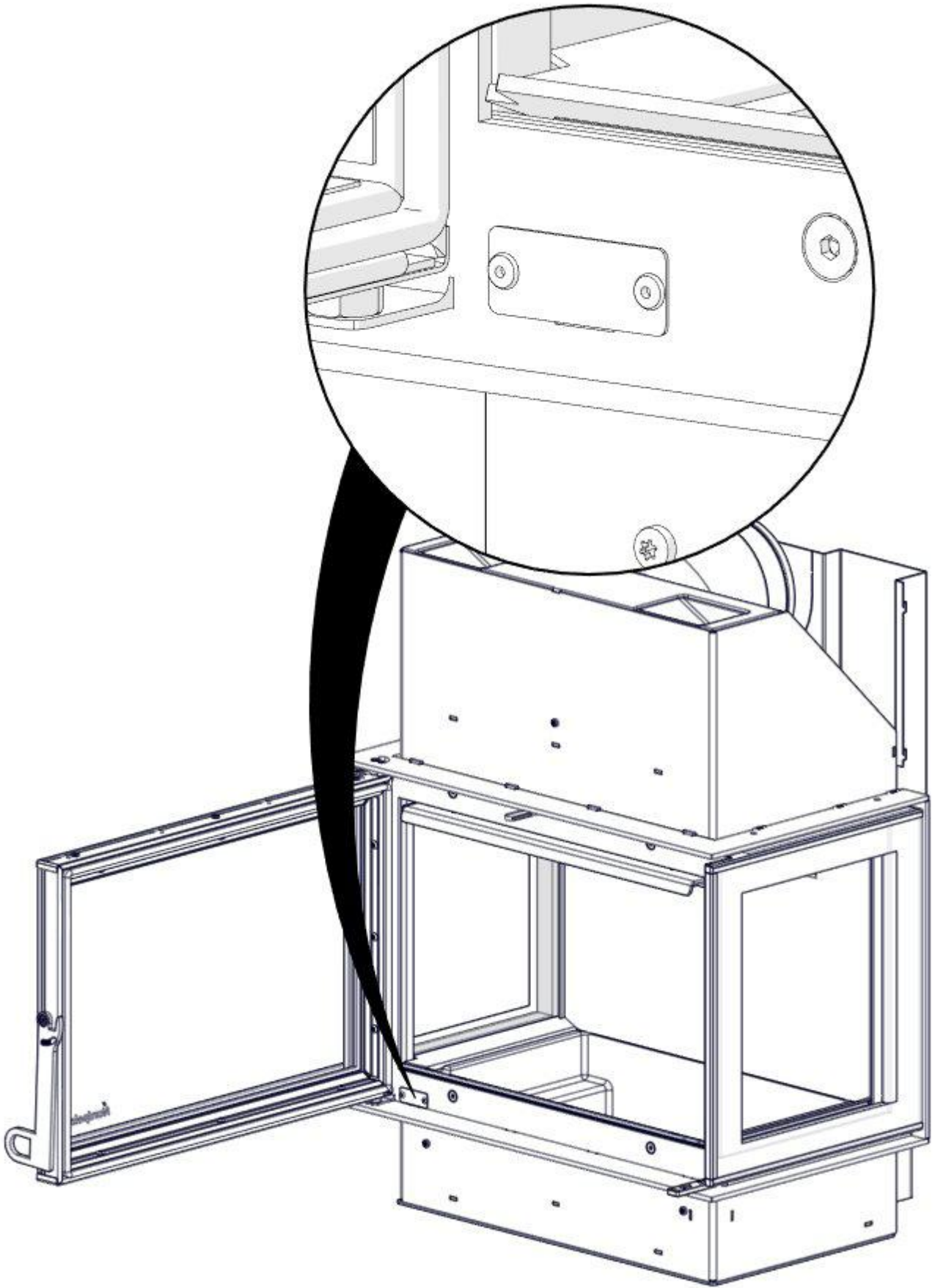
N-20A, N-21A Exclusive



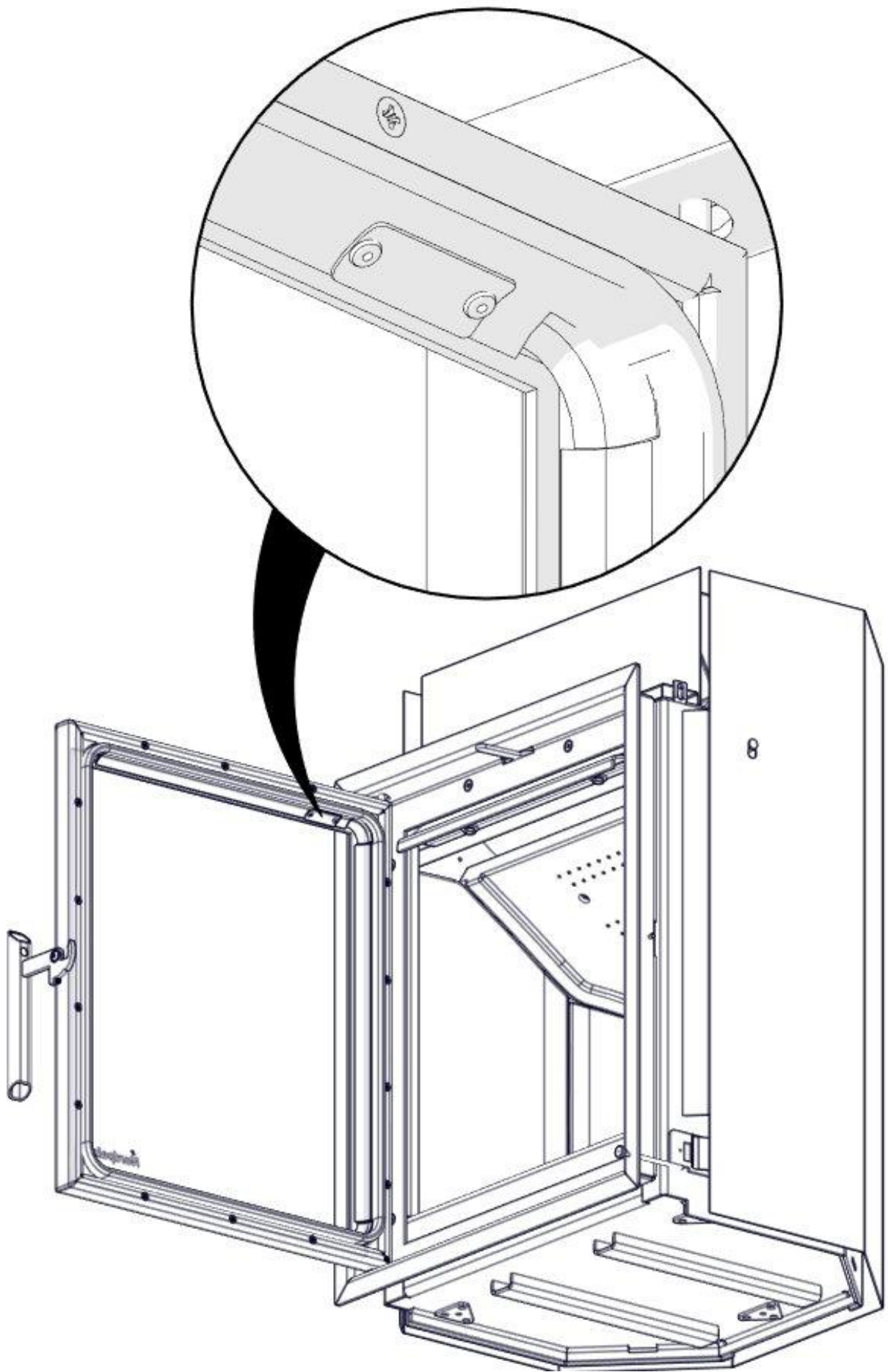
N-20E, N-21F Exclusive



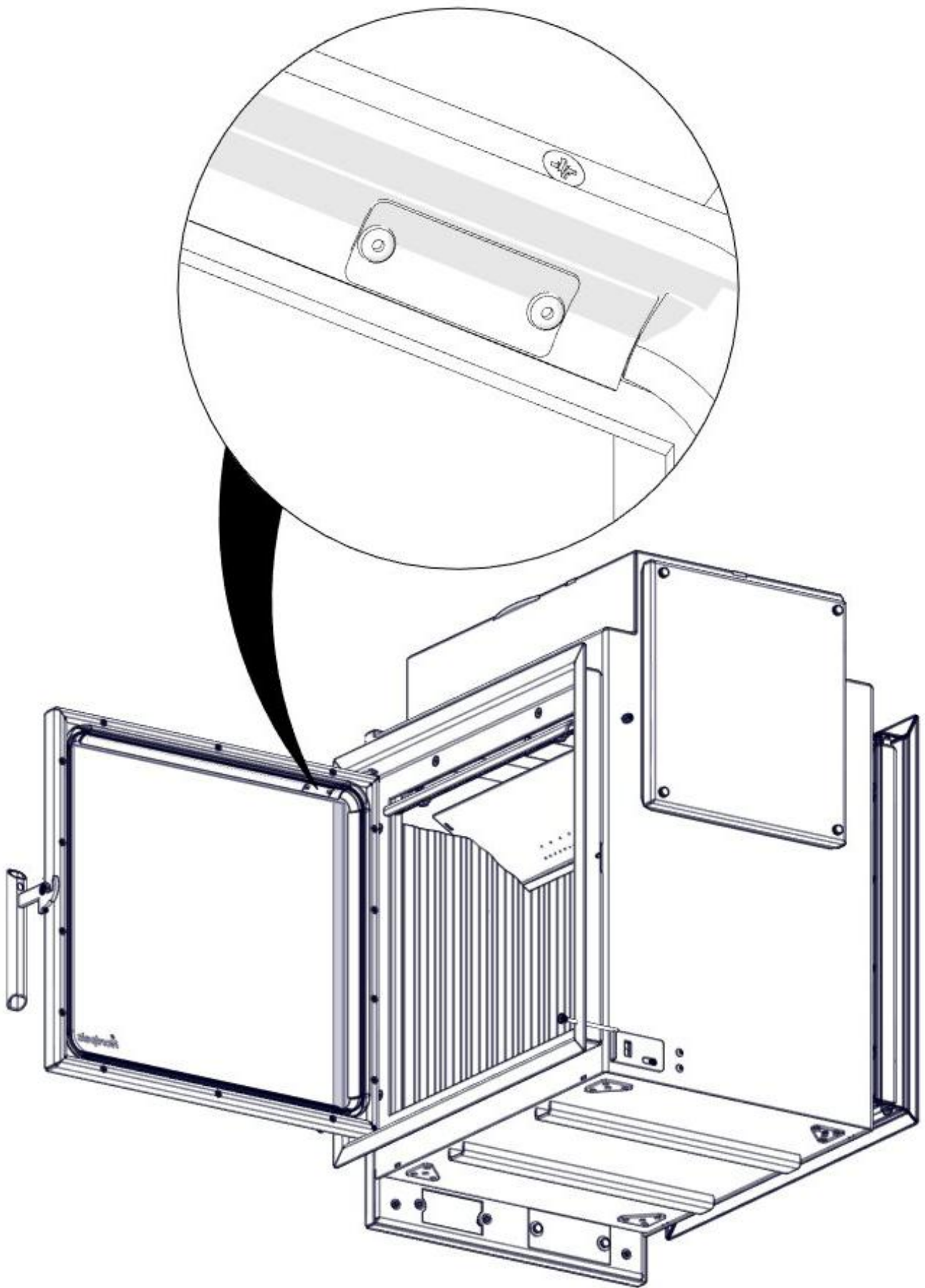
**N-20T, N-21T Exclusive**



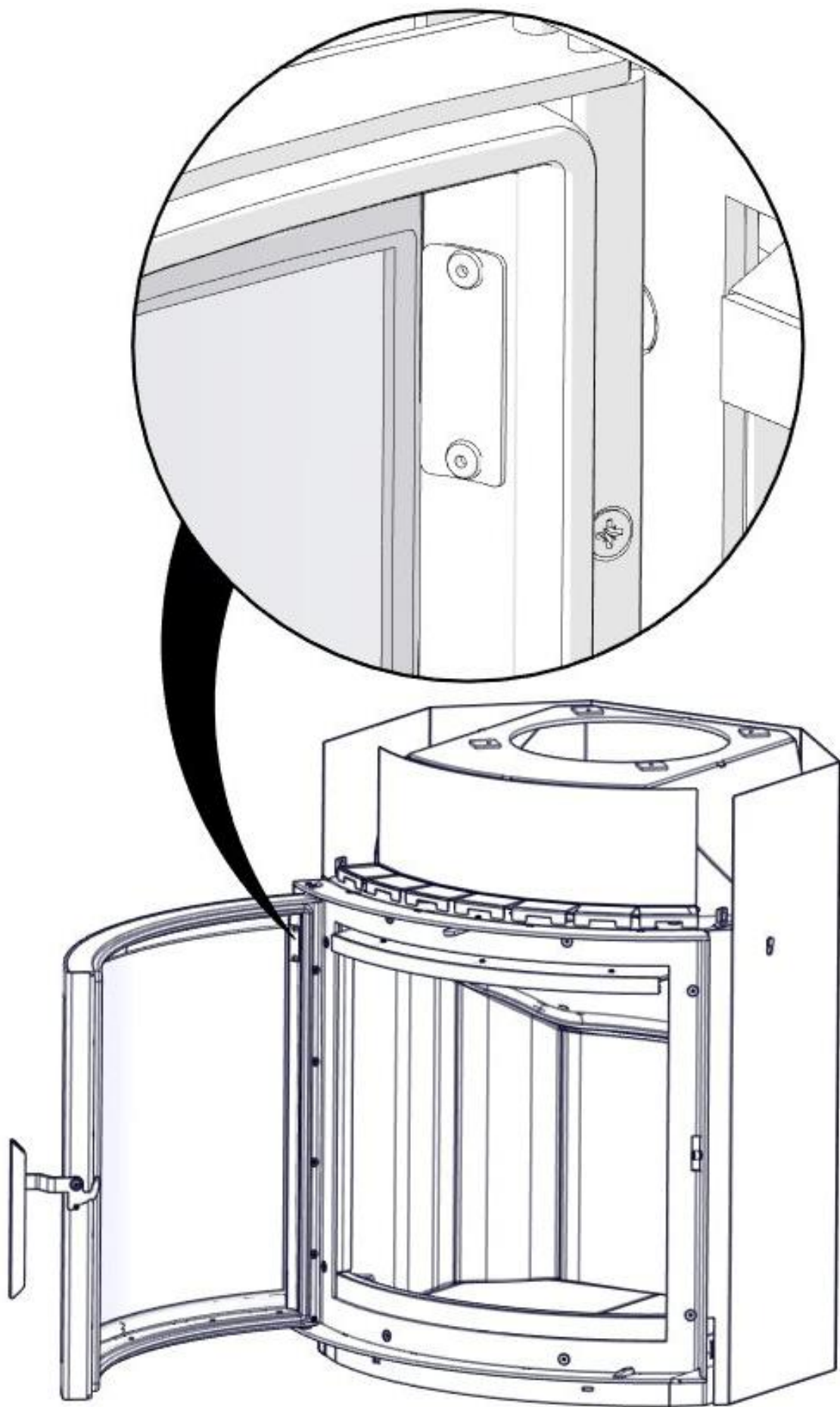
N-20U, N-21U Exclusive

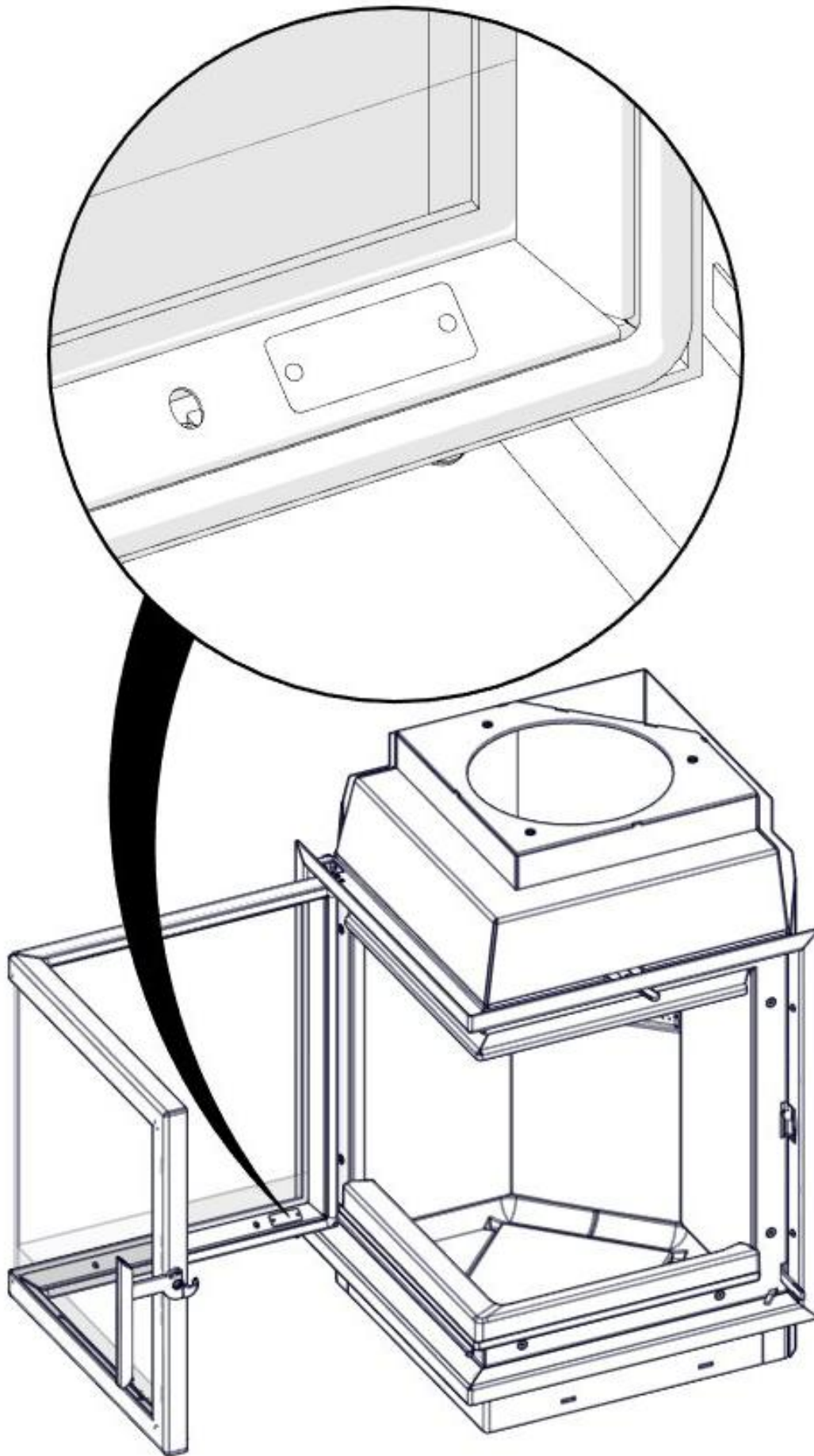


N-21

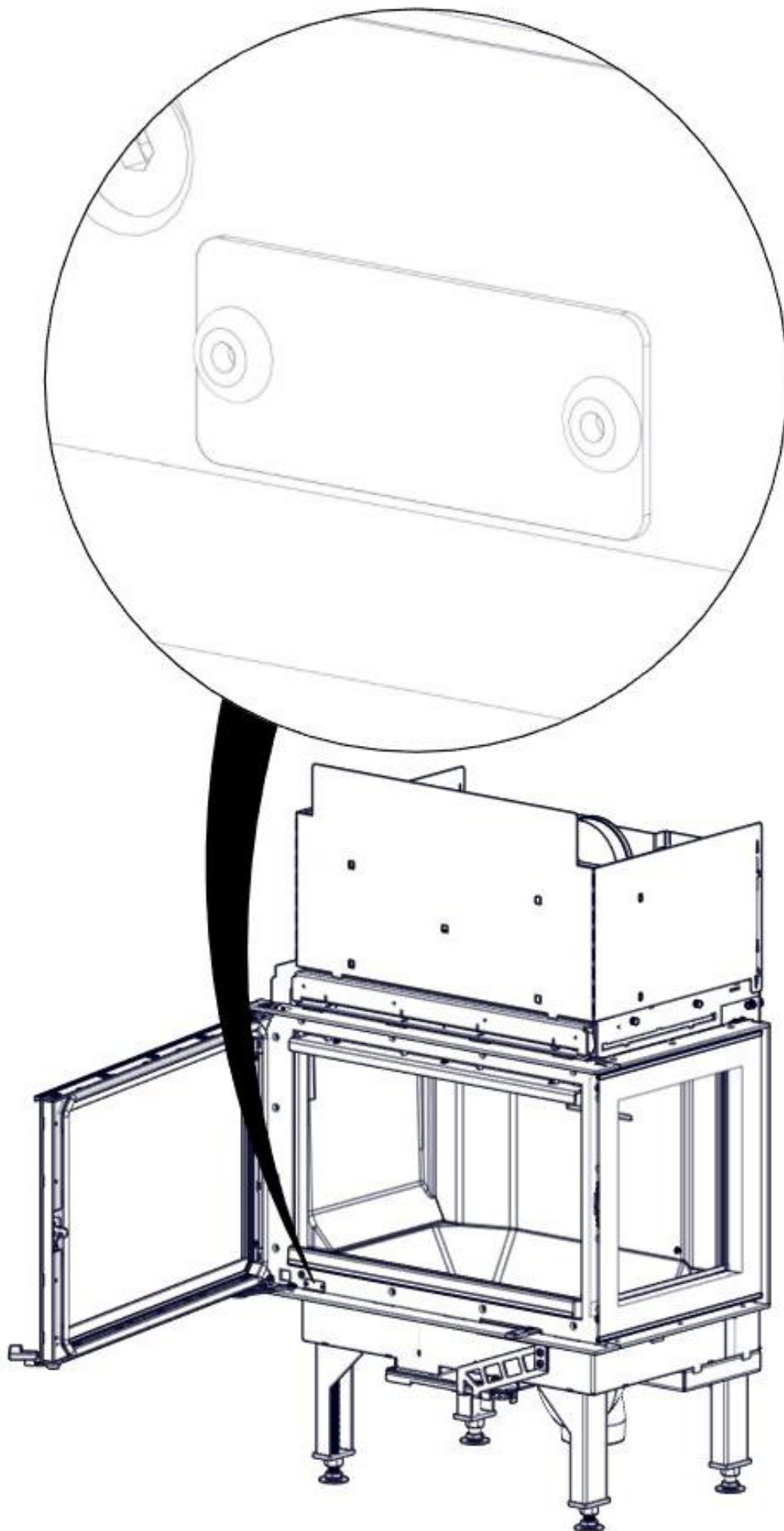


N-23G

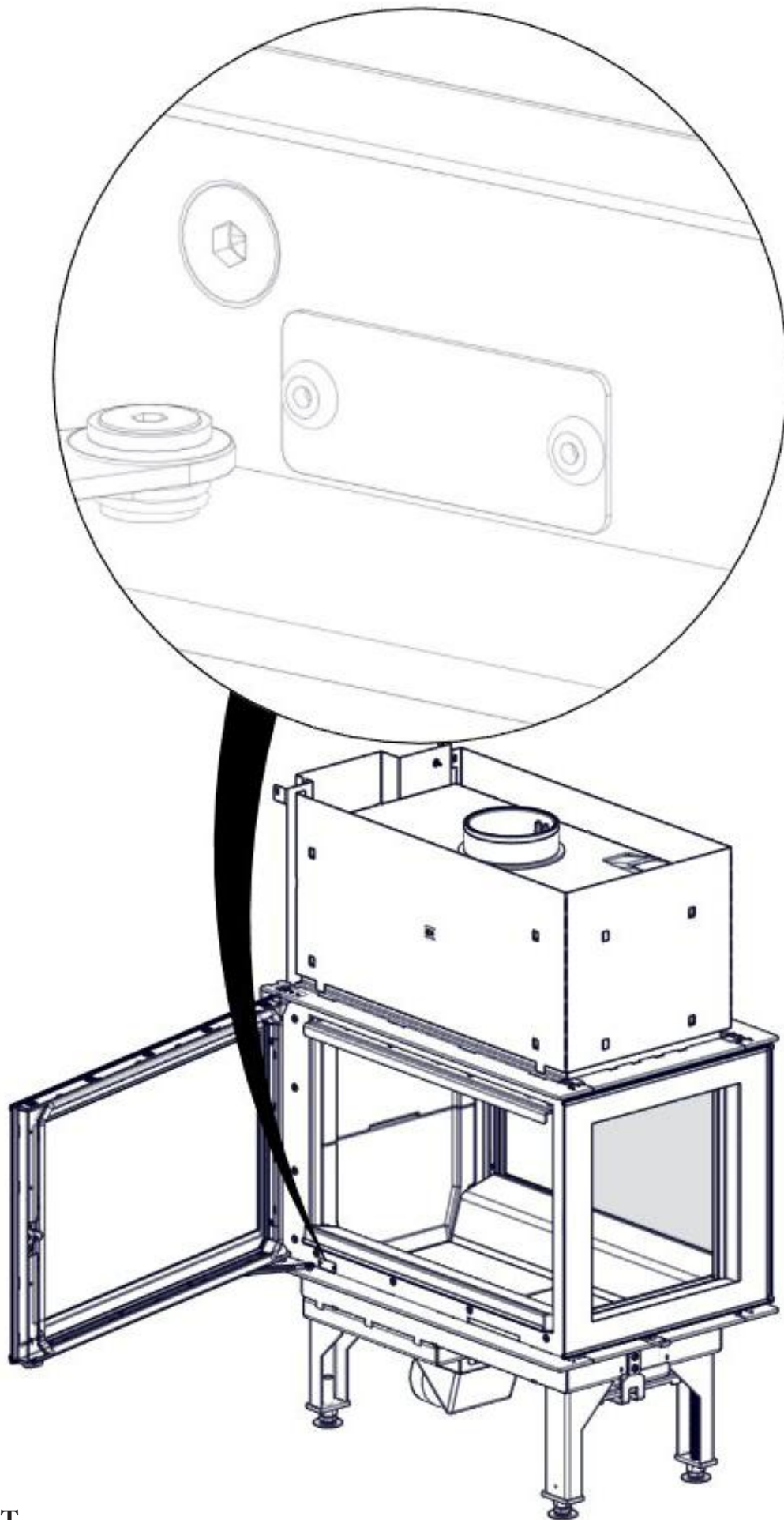




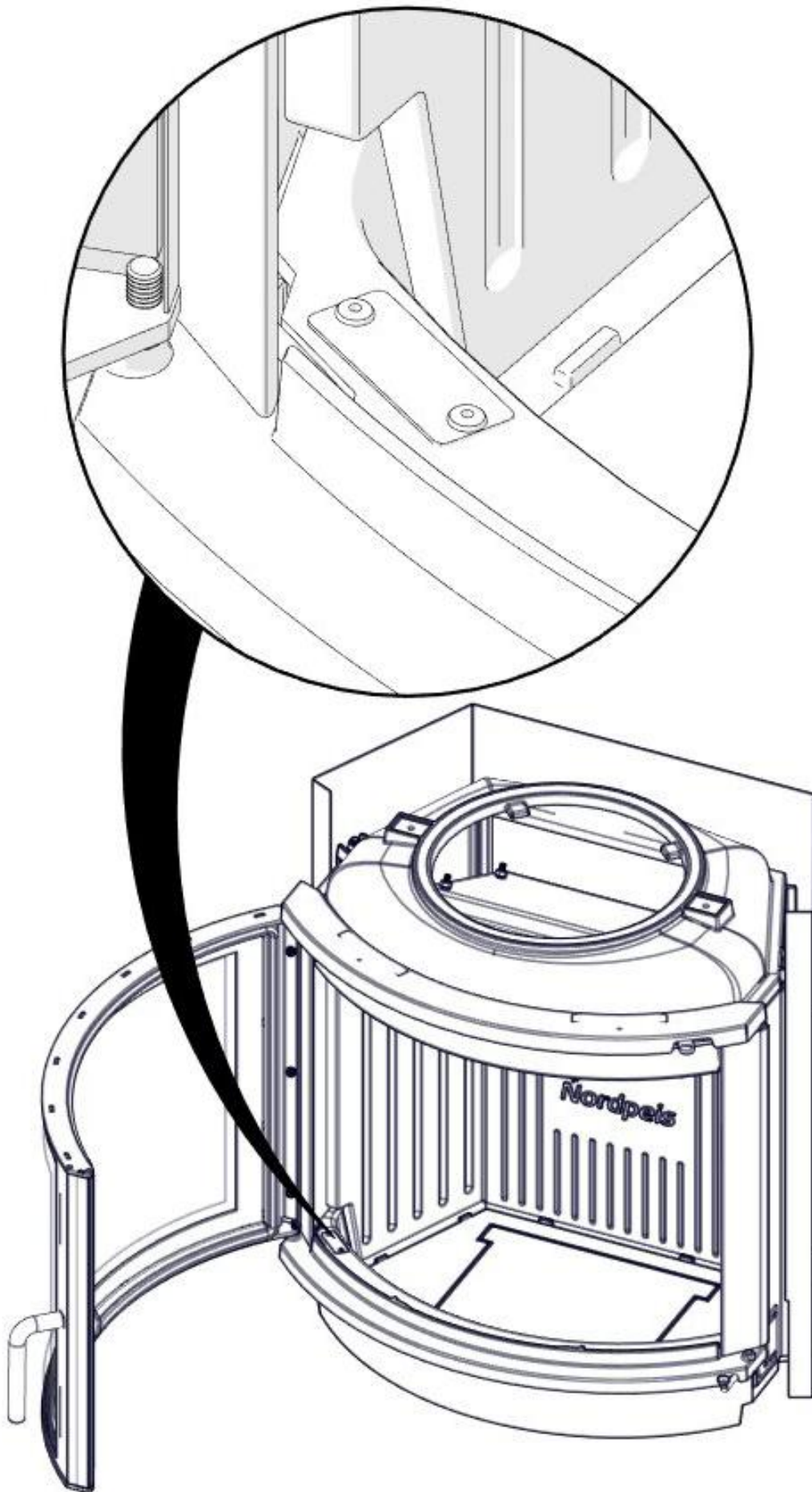
N-36A

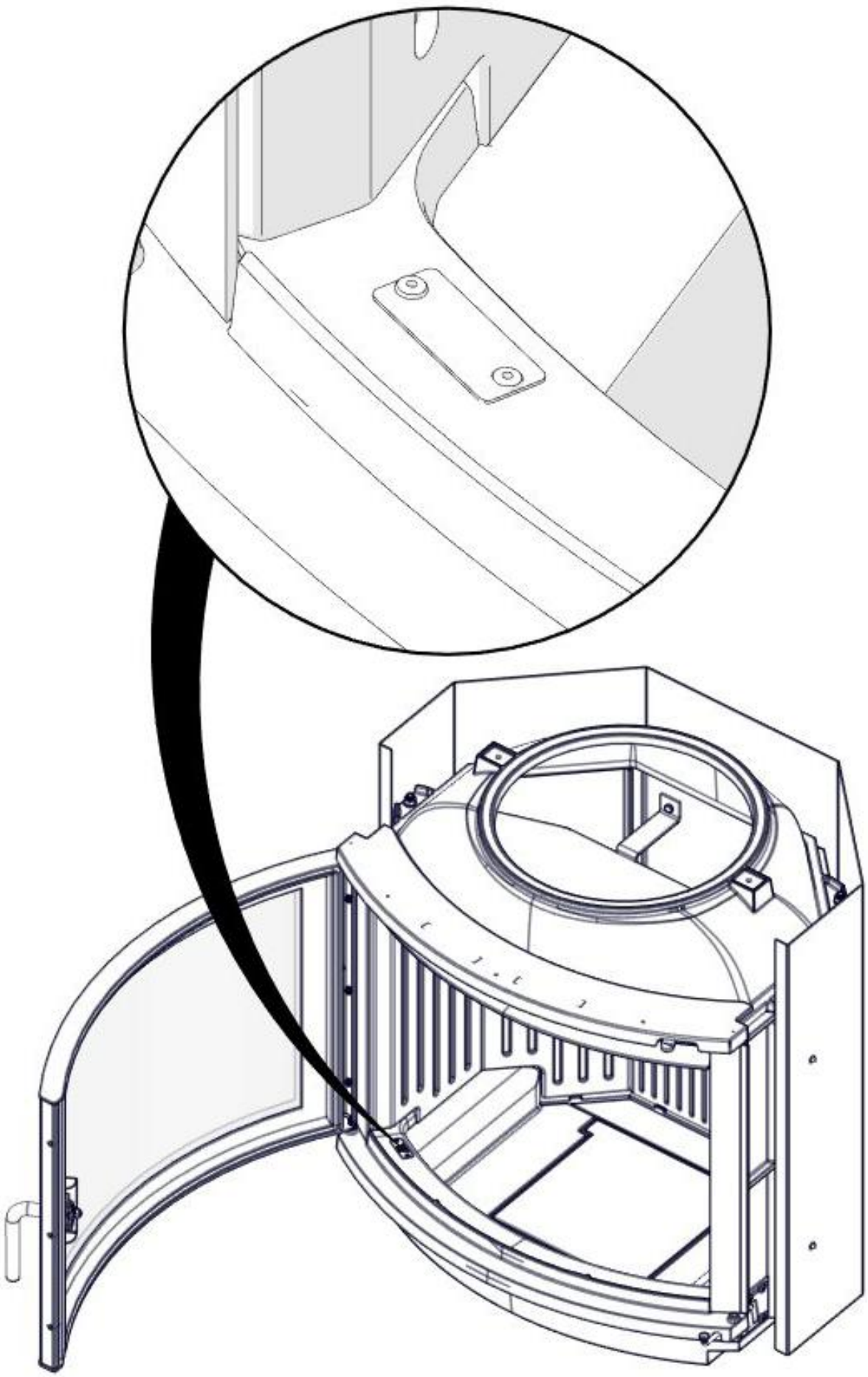


N-29U/A

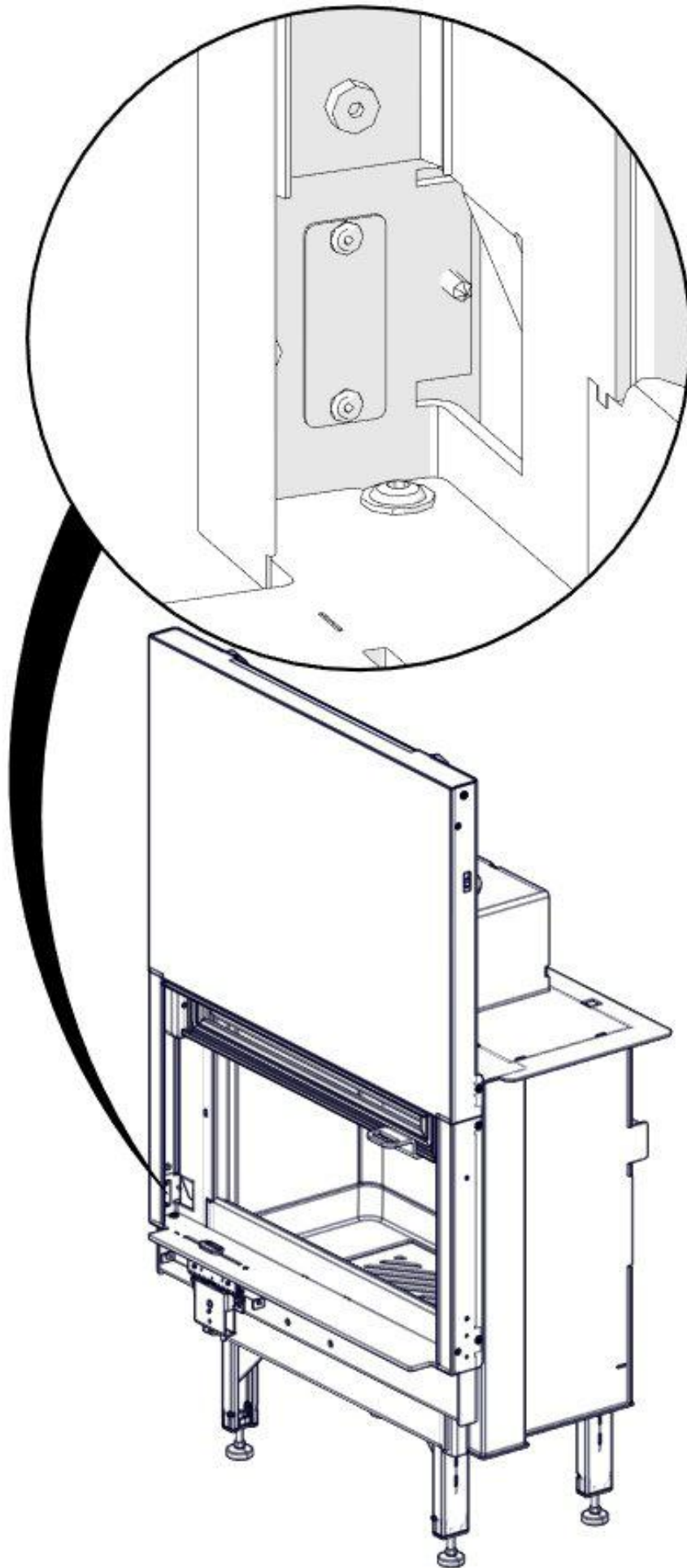


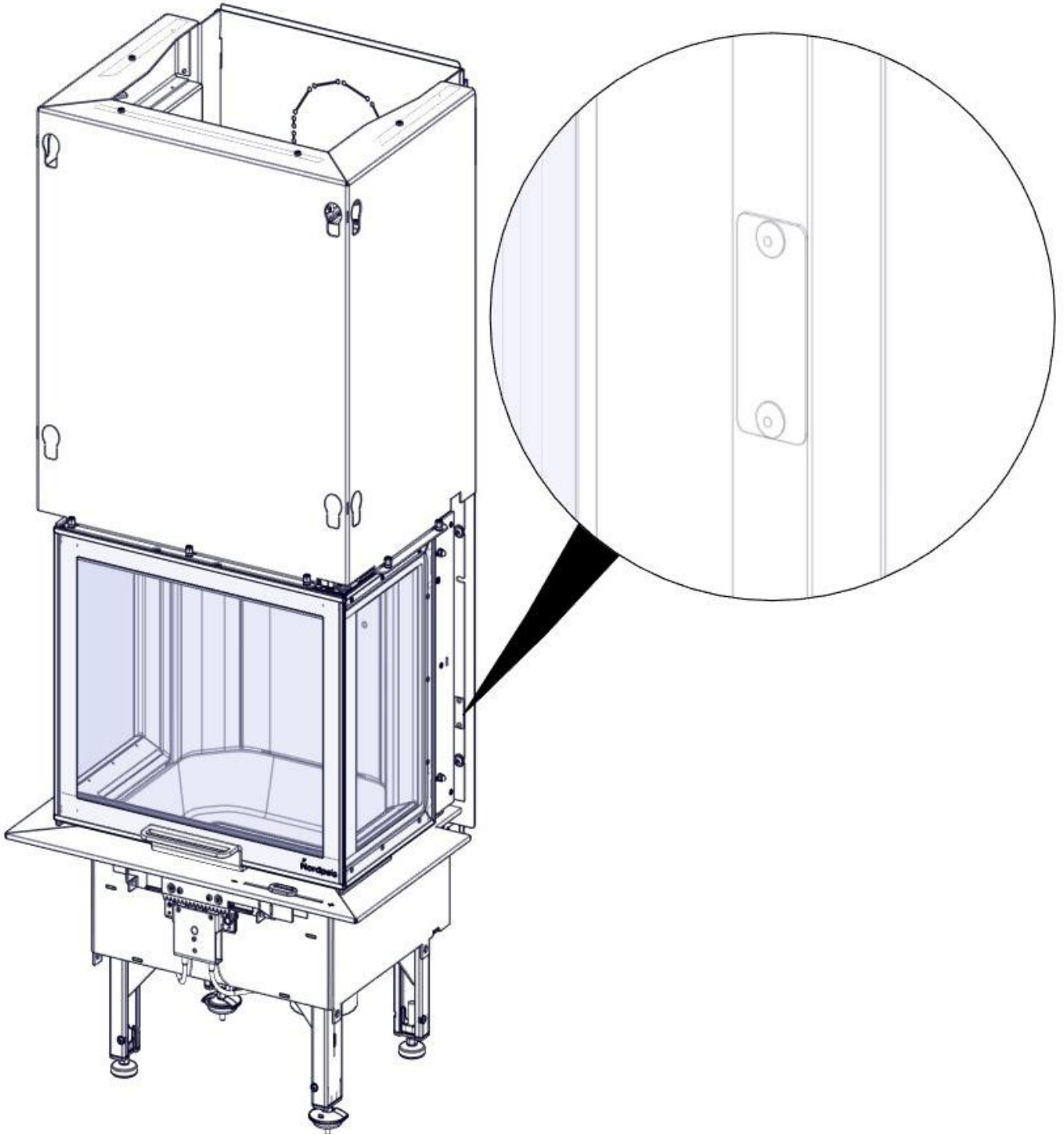
N-29P/T

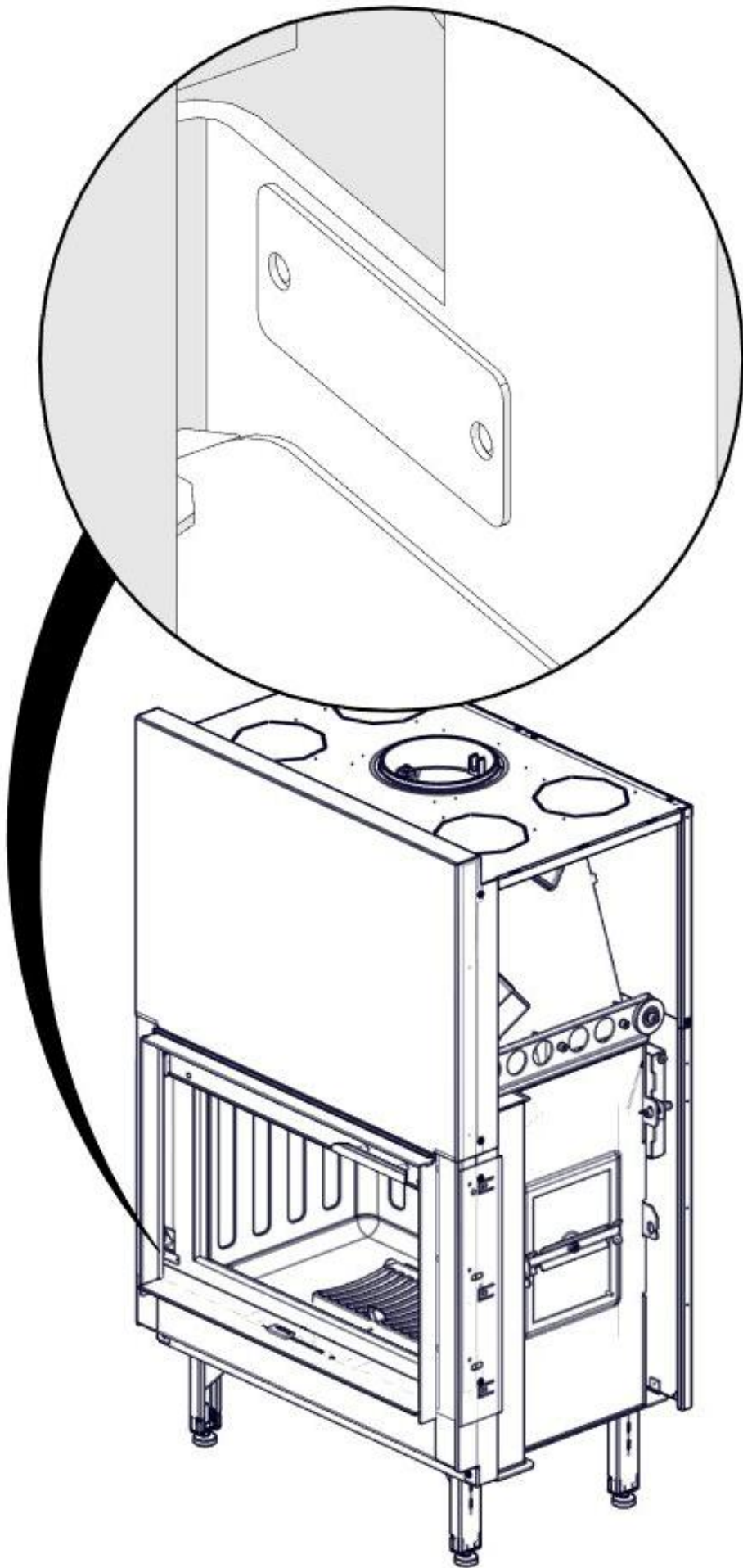


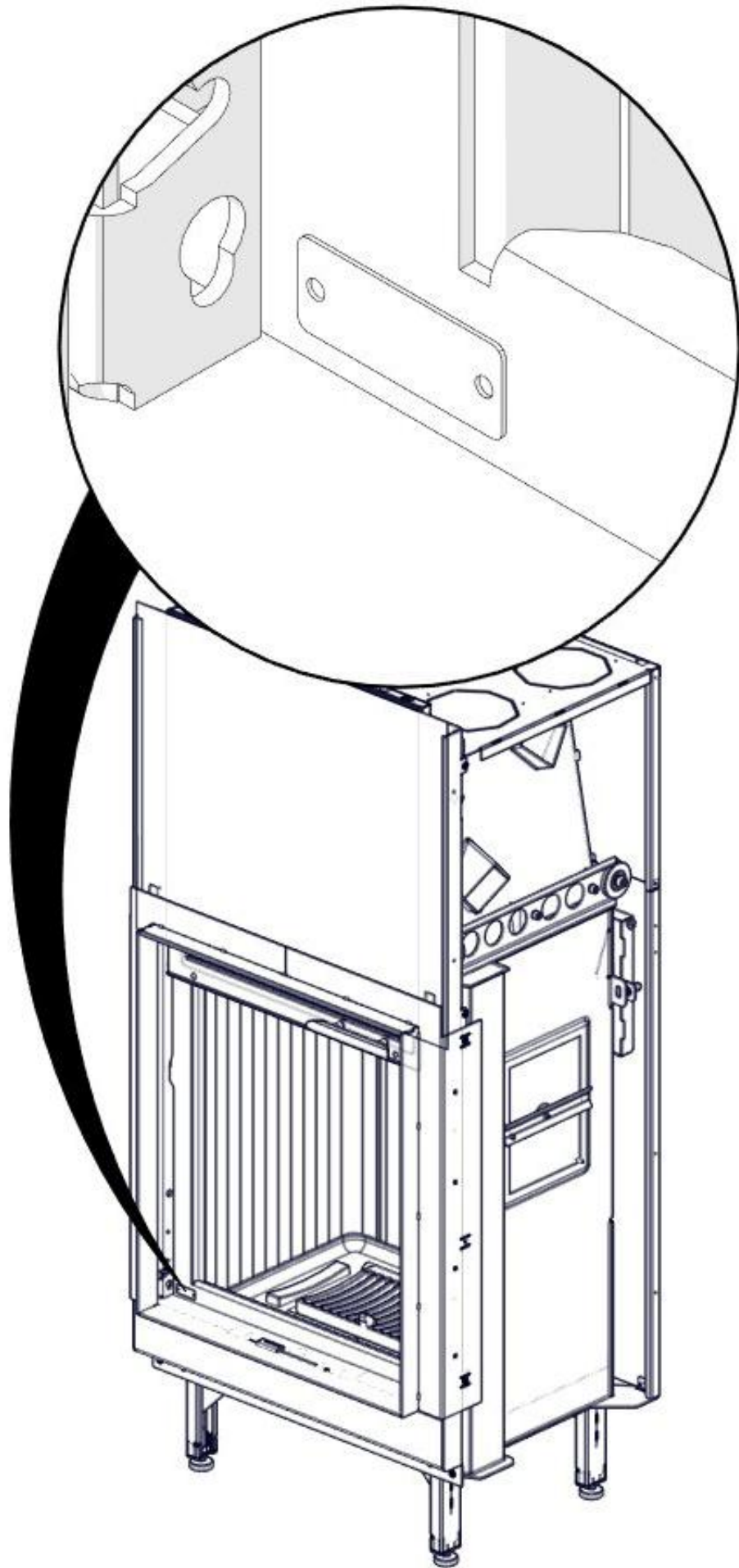


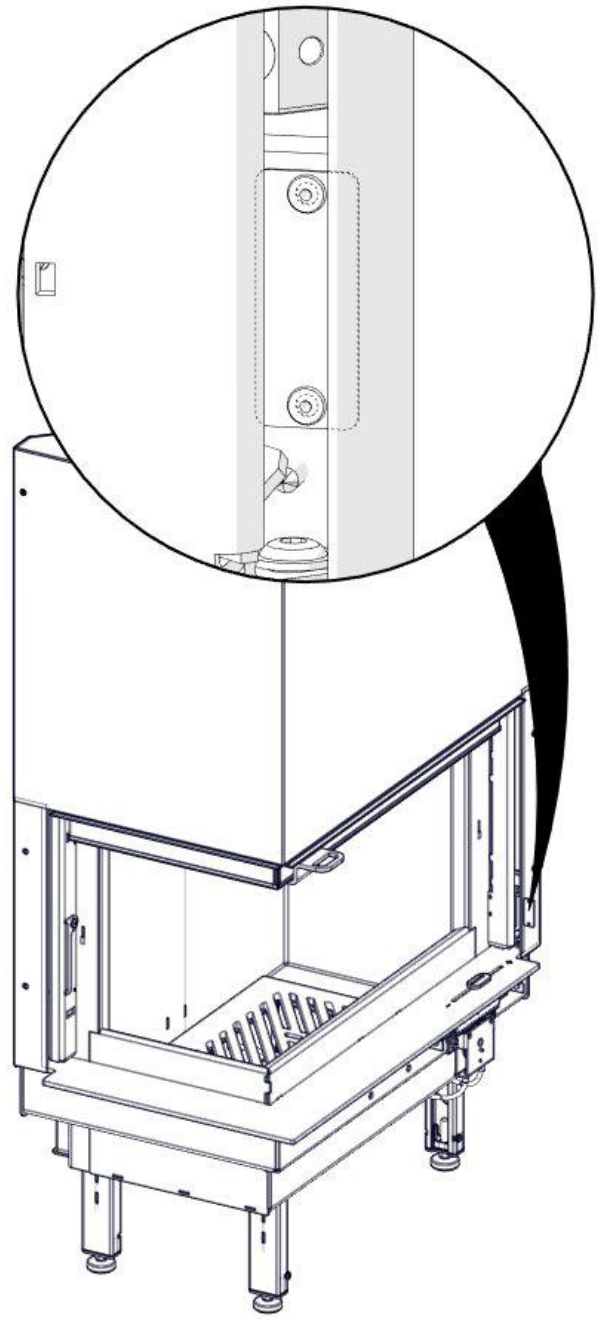
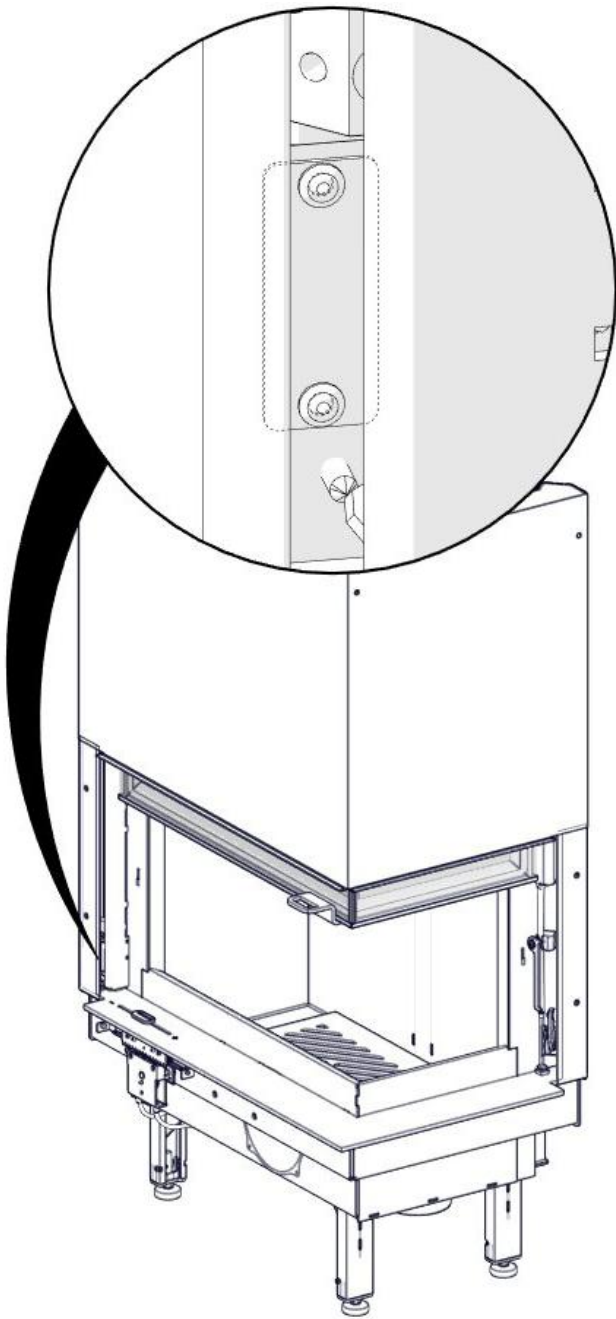
NI-25



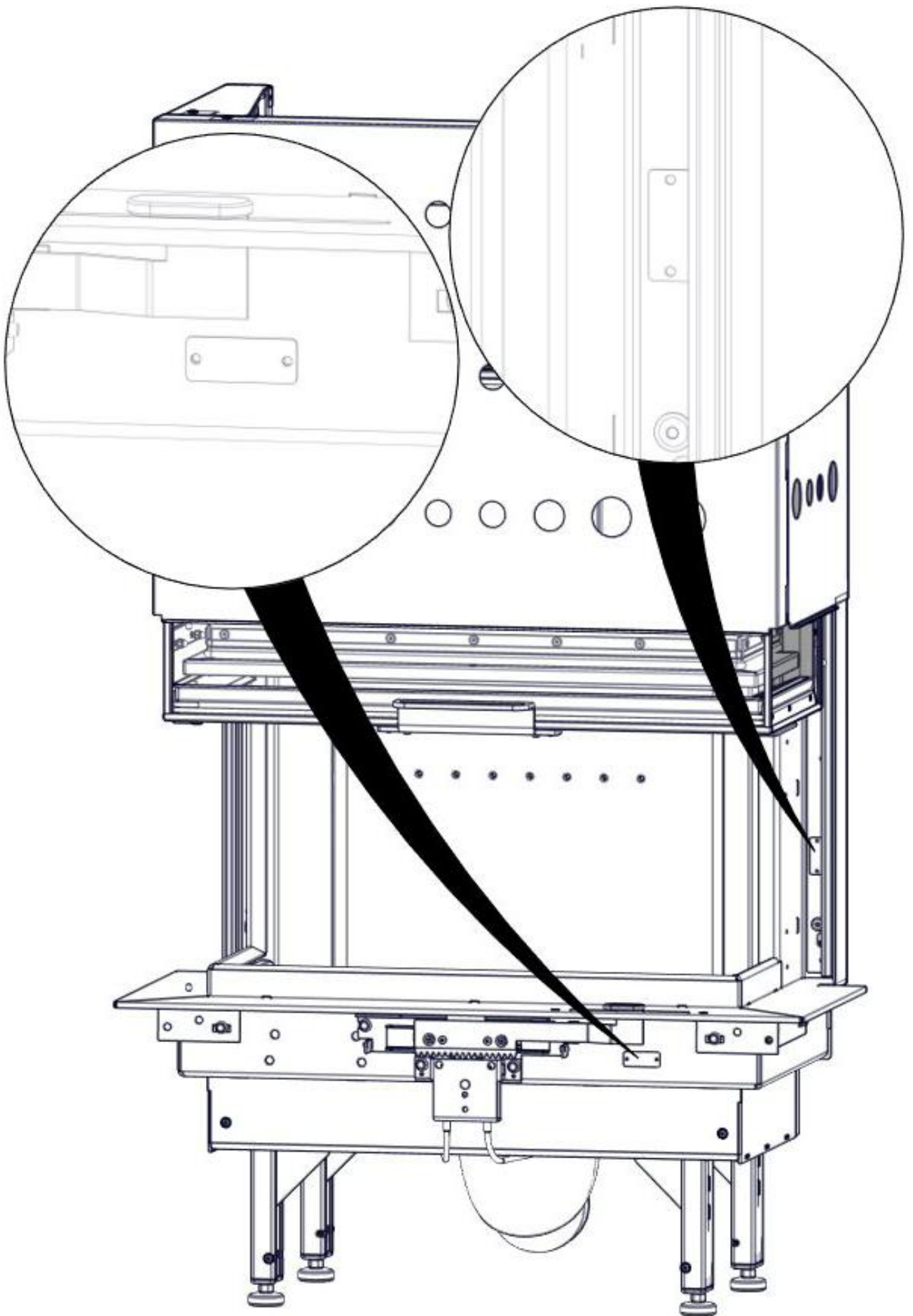




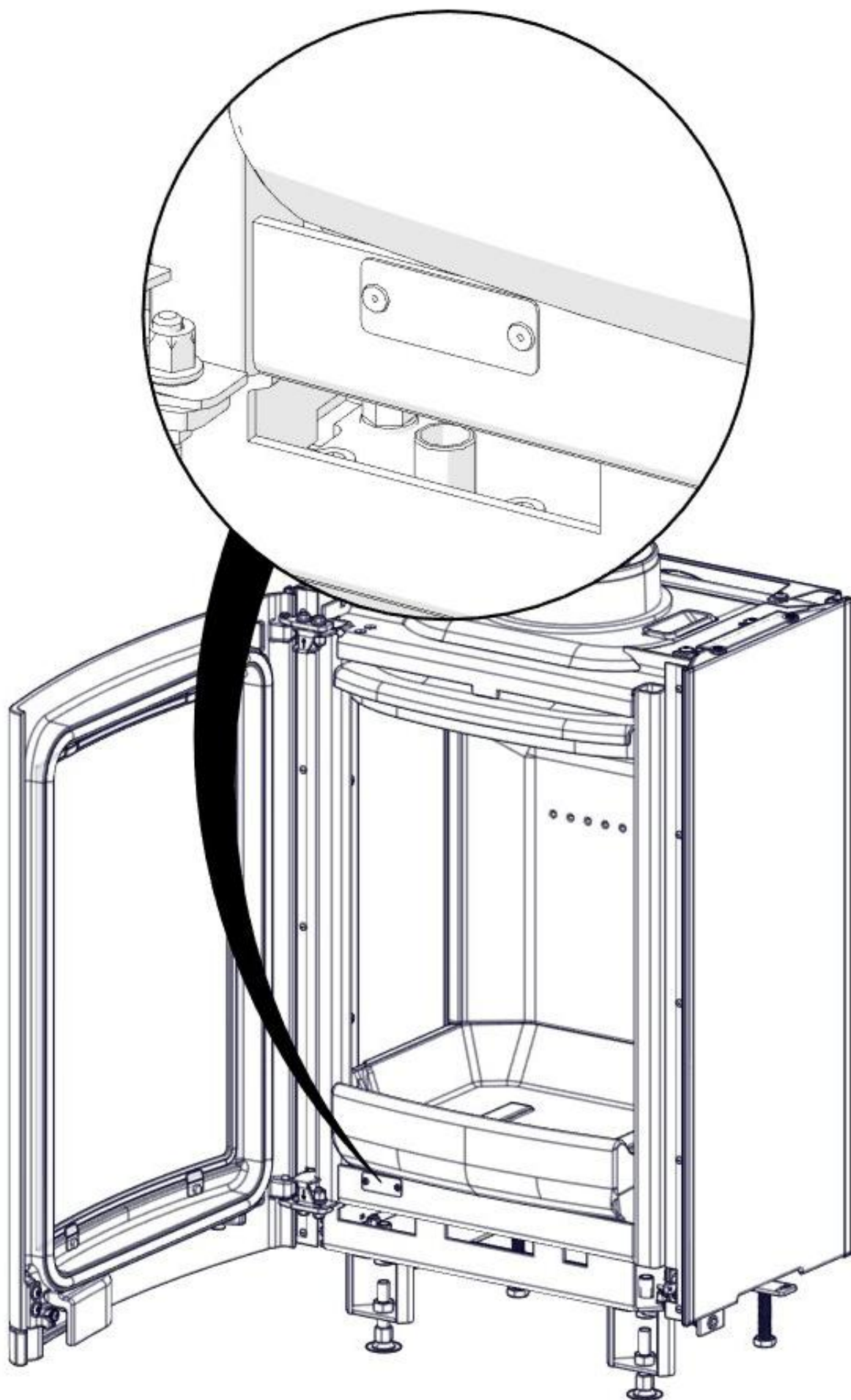




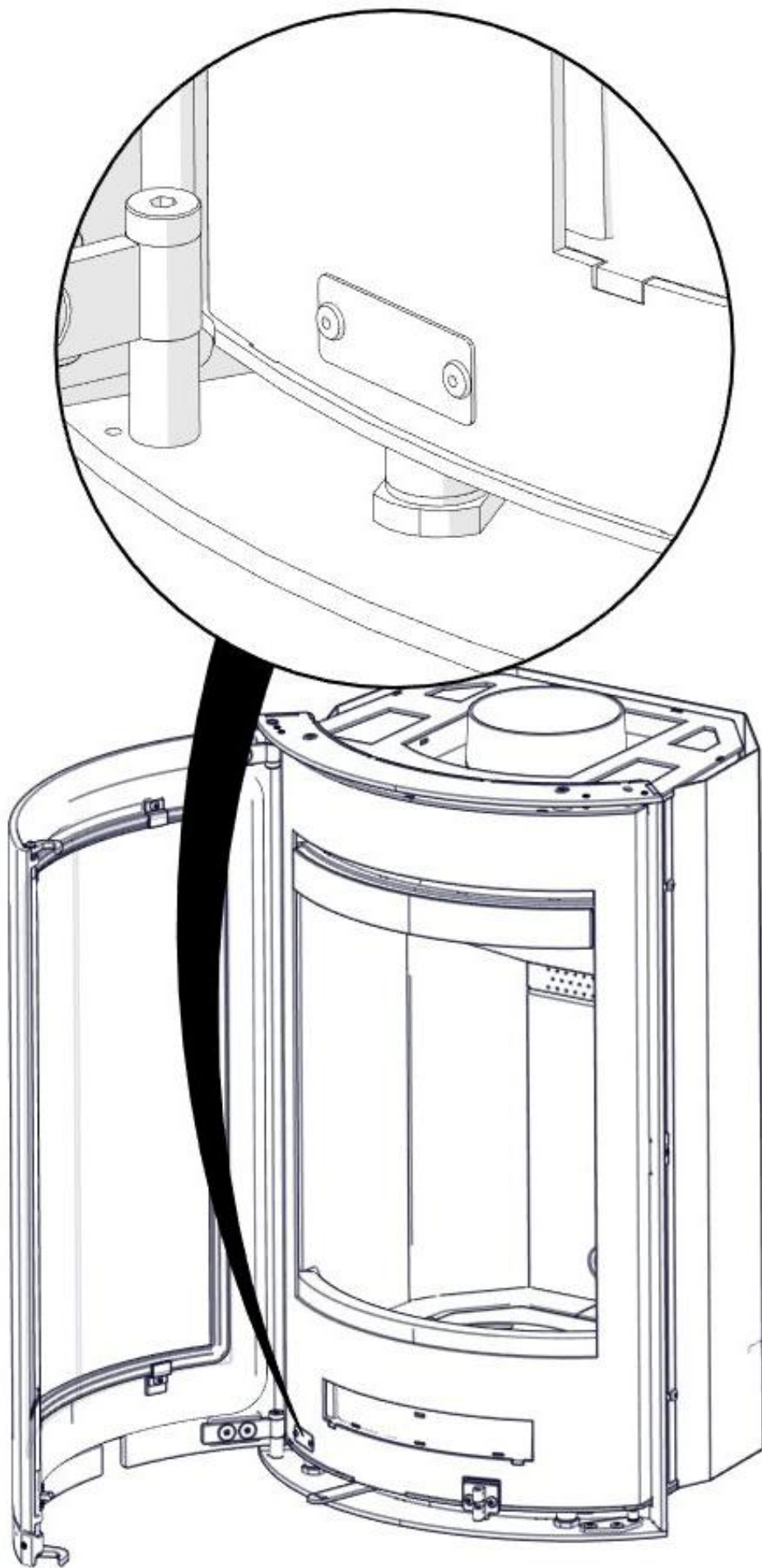
Q-34 AL



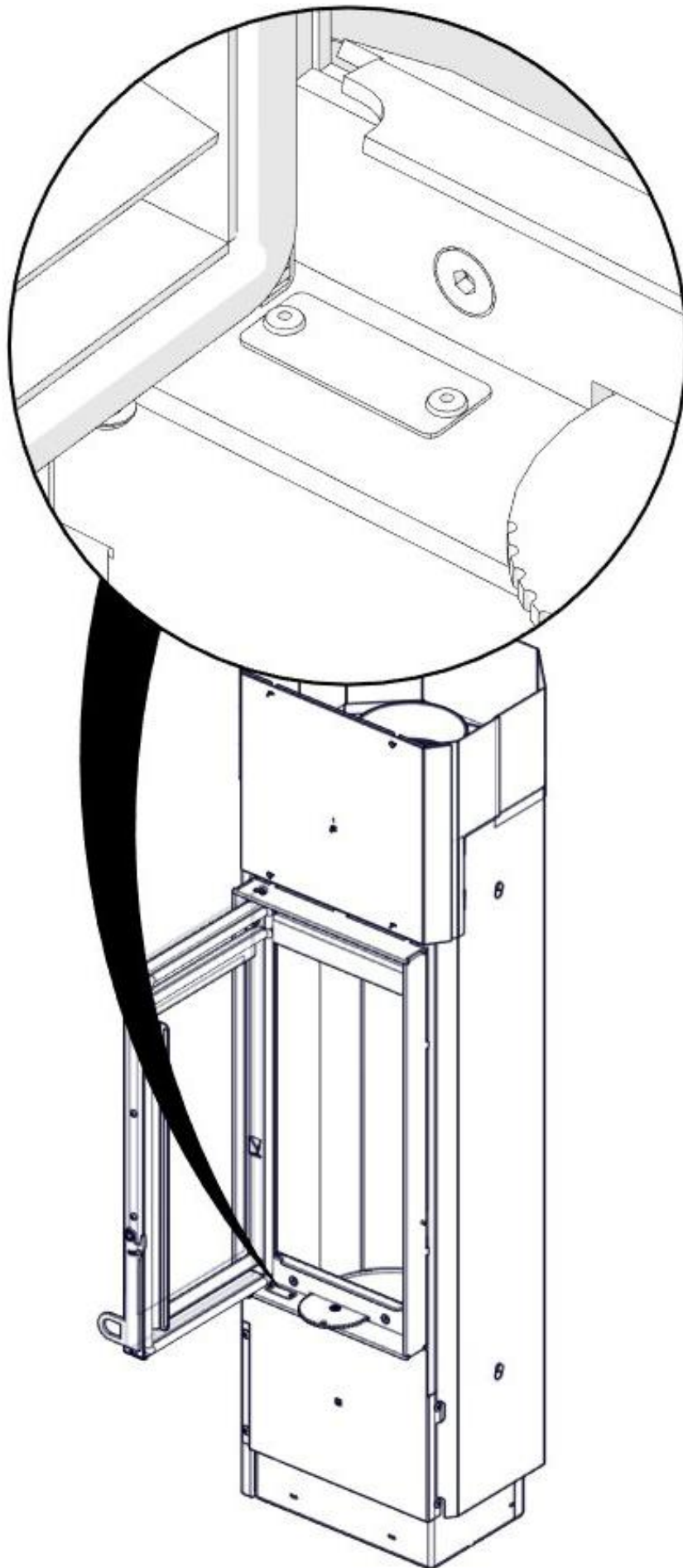
Q-34 UL



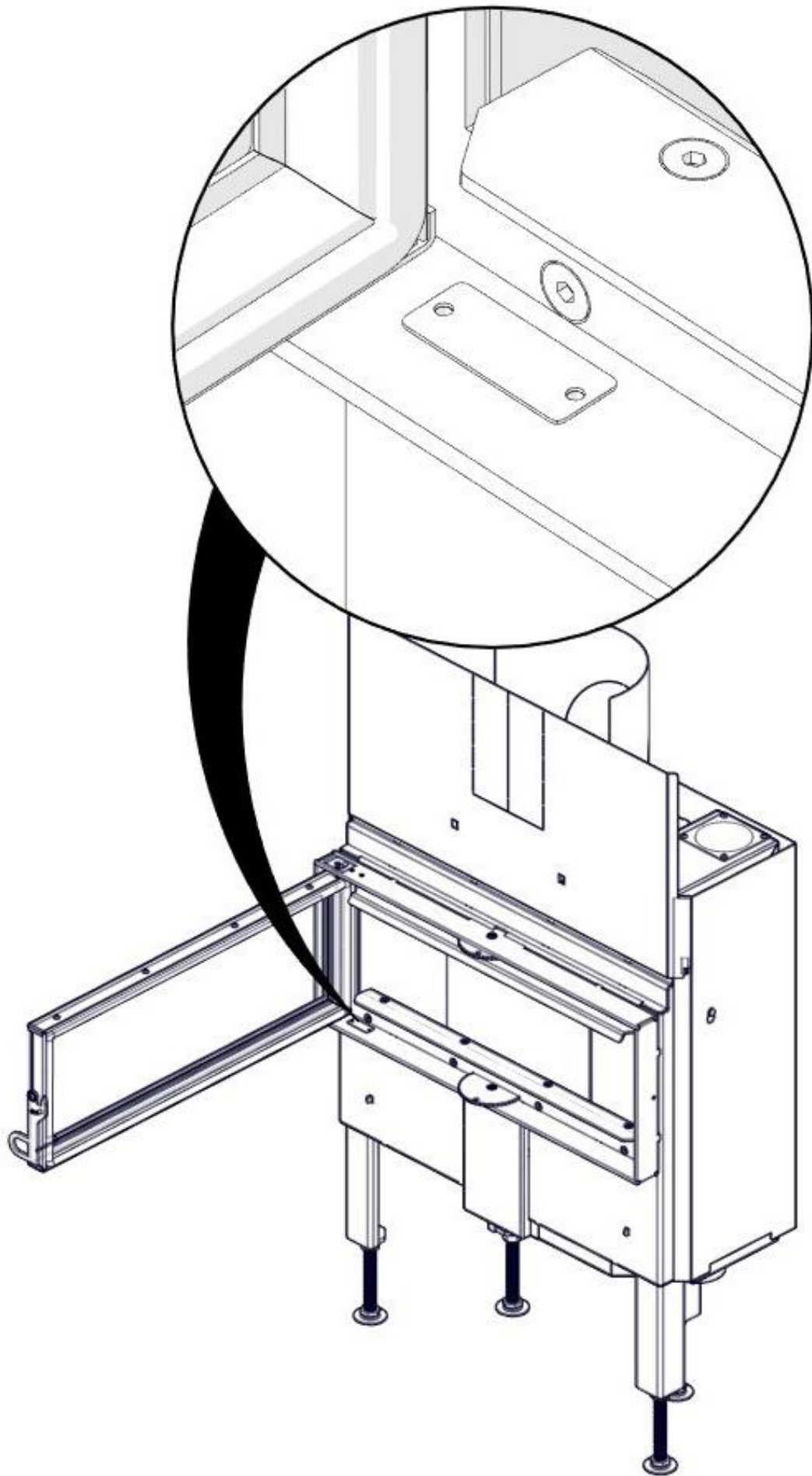
S-18E, S-18U



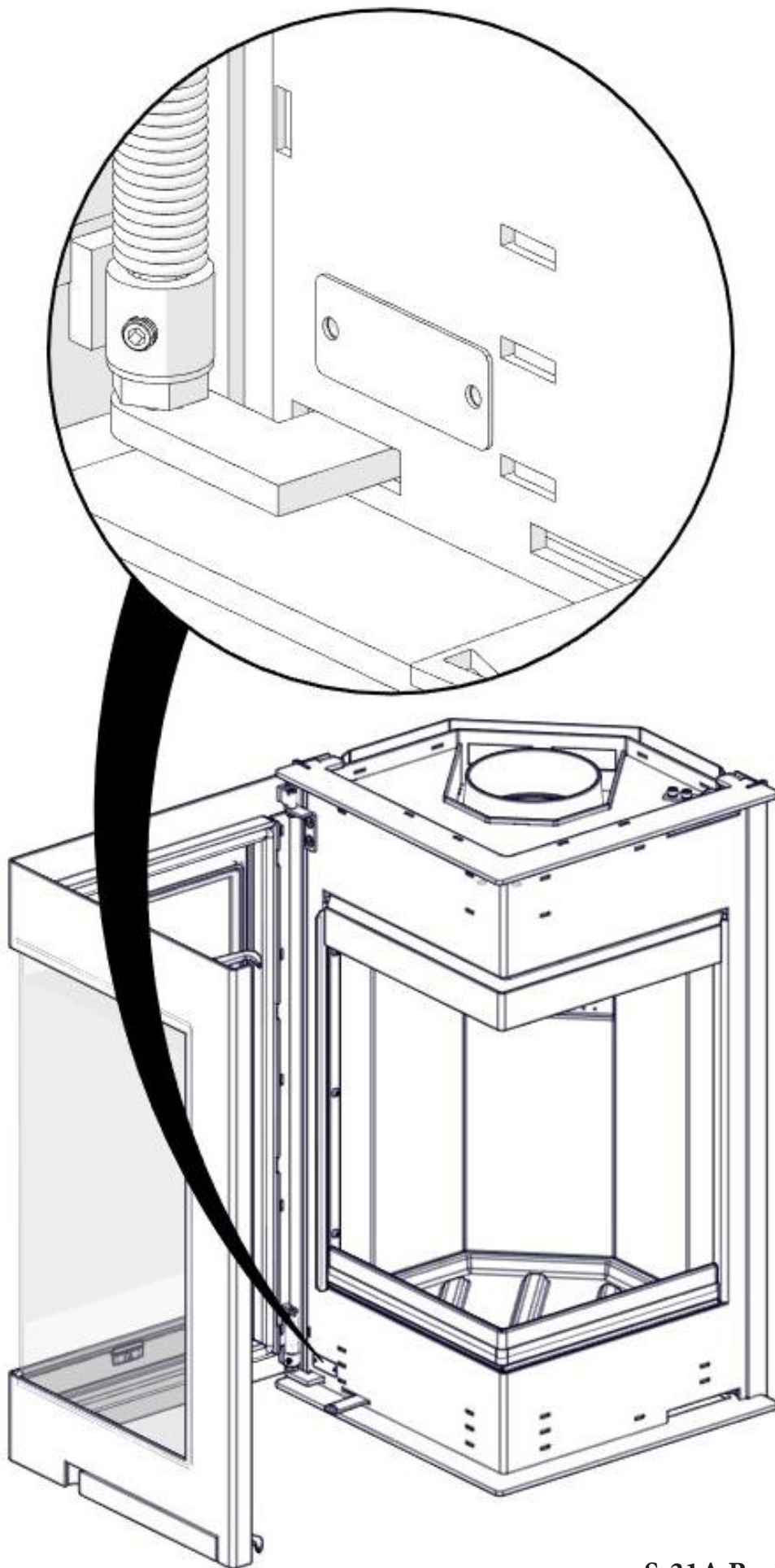
S-26R



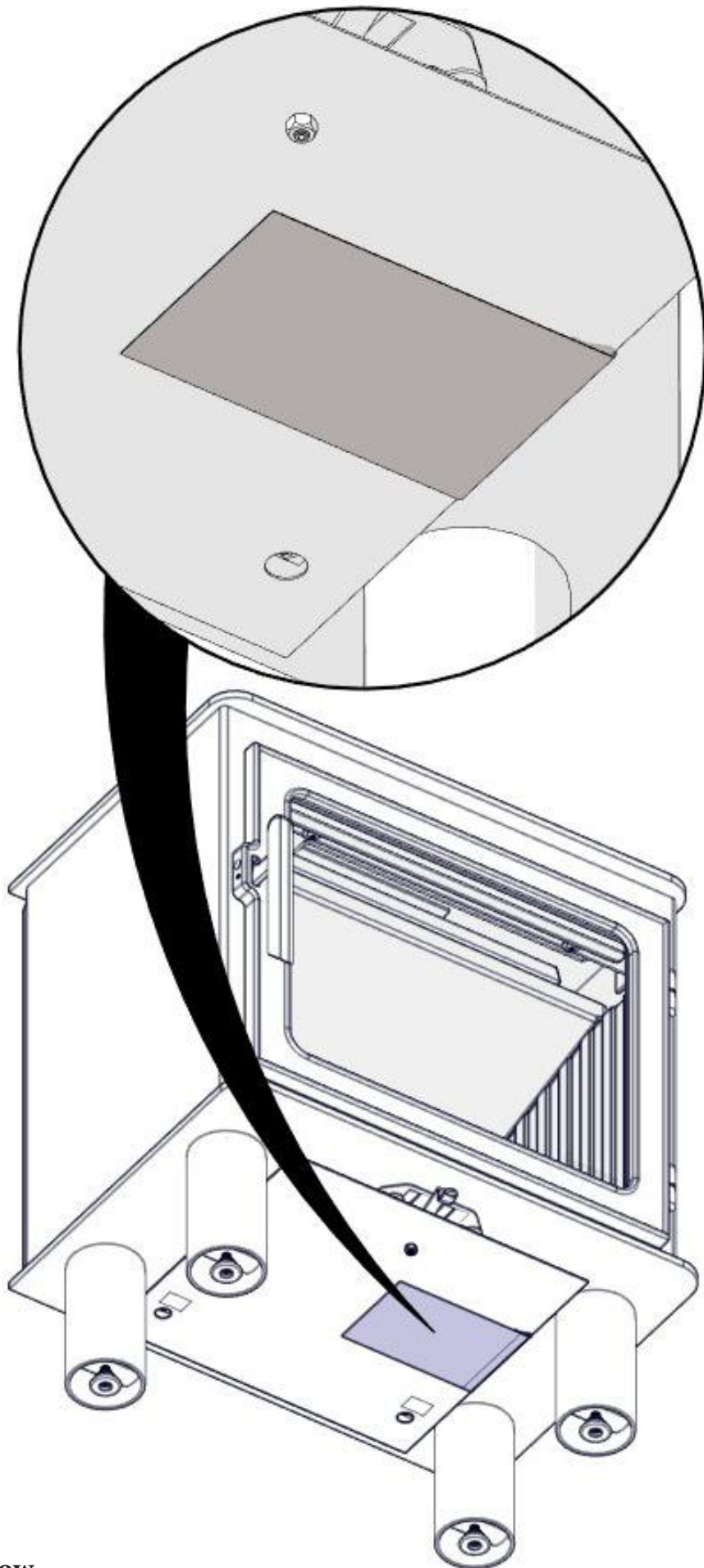
X-20F

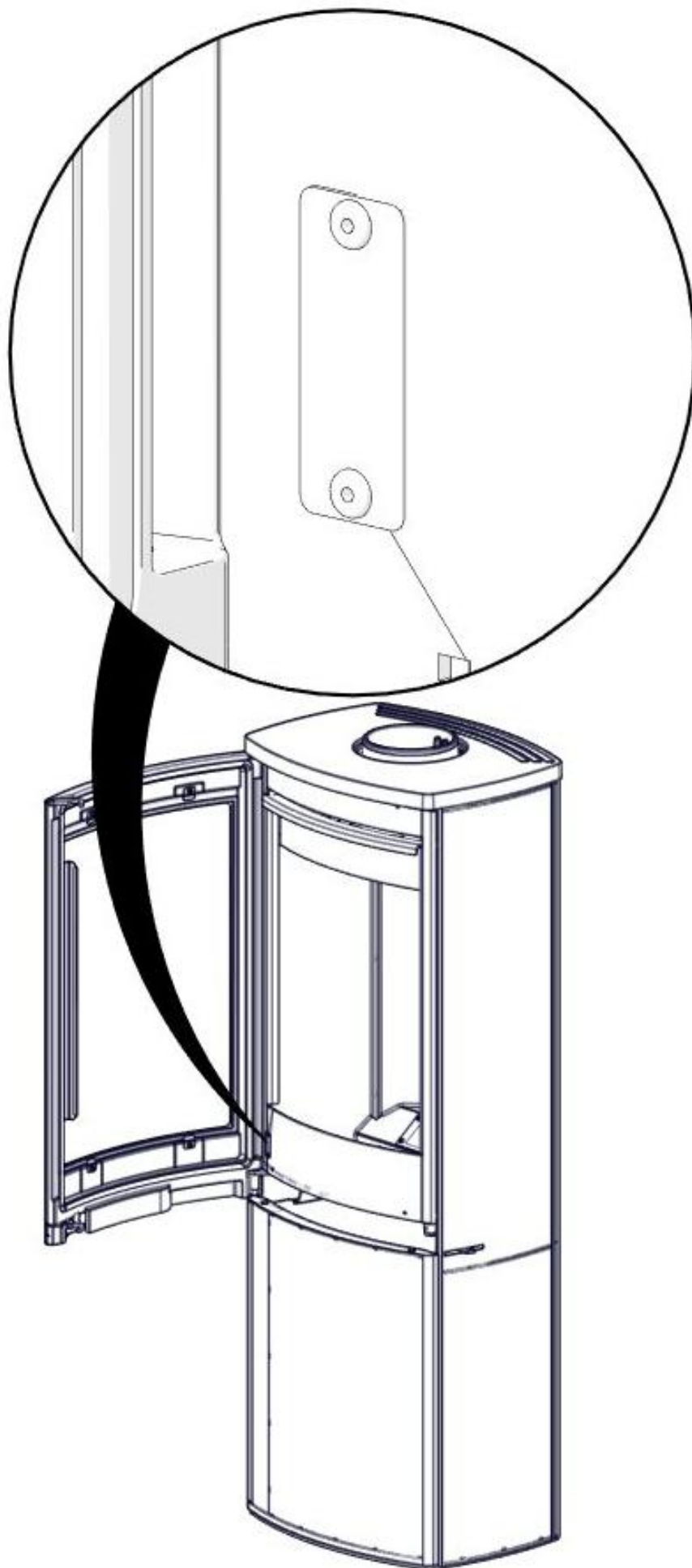


X-25F

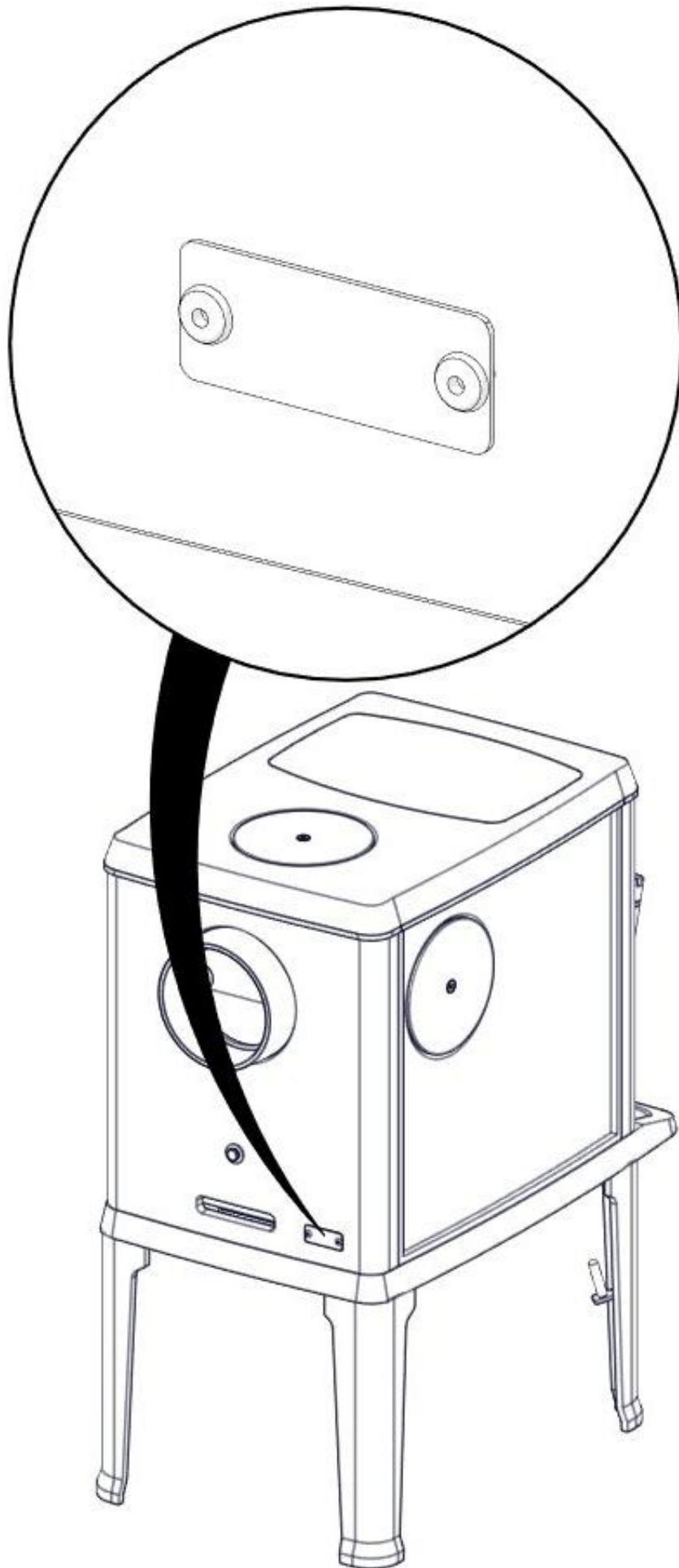


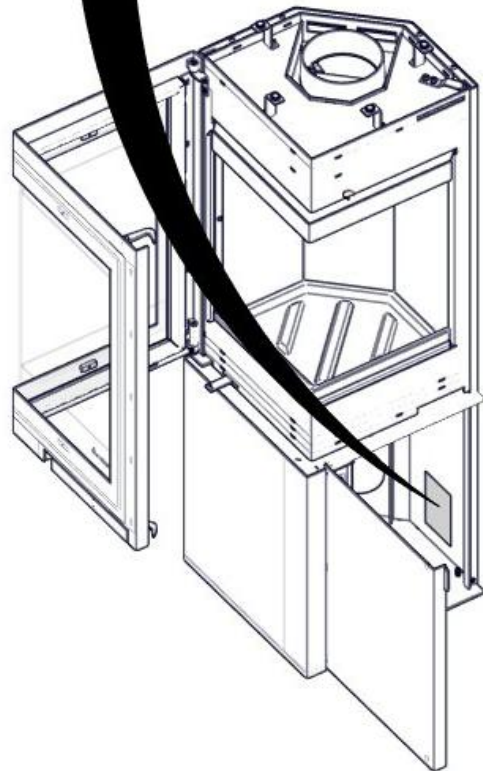
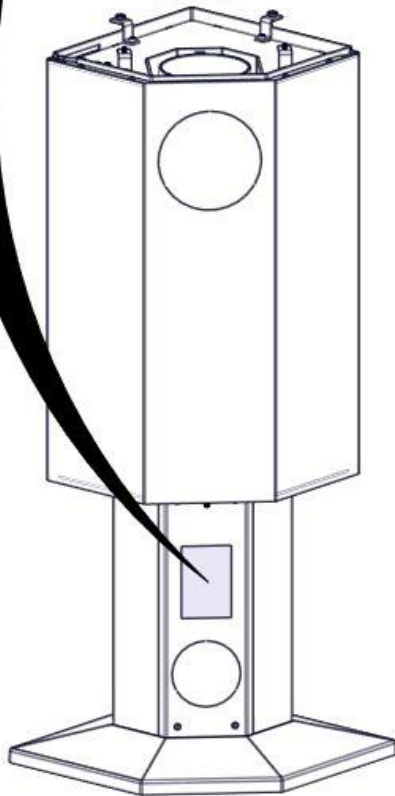
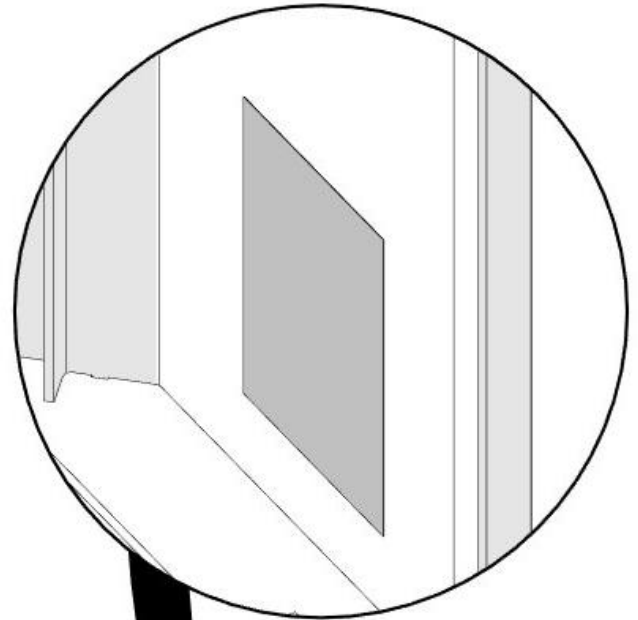
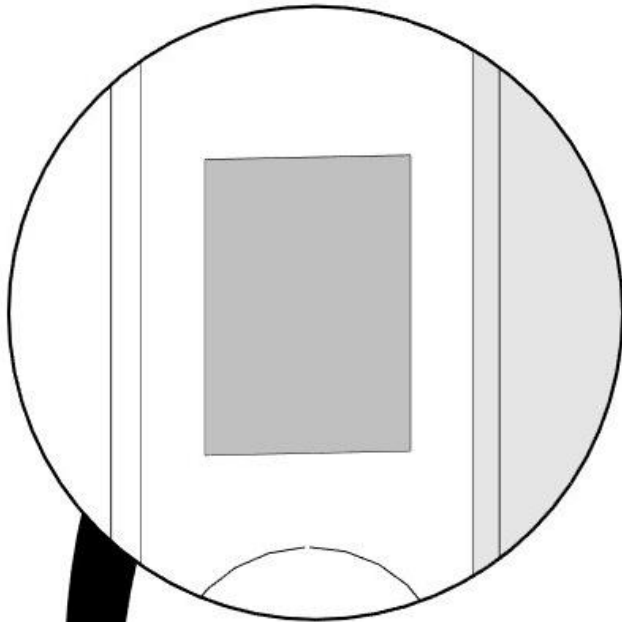
S-31A Basic / exclusive



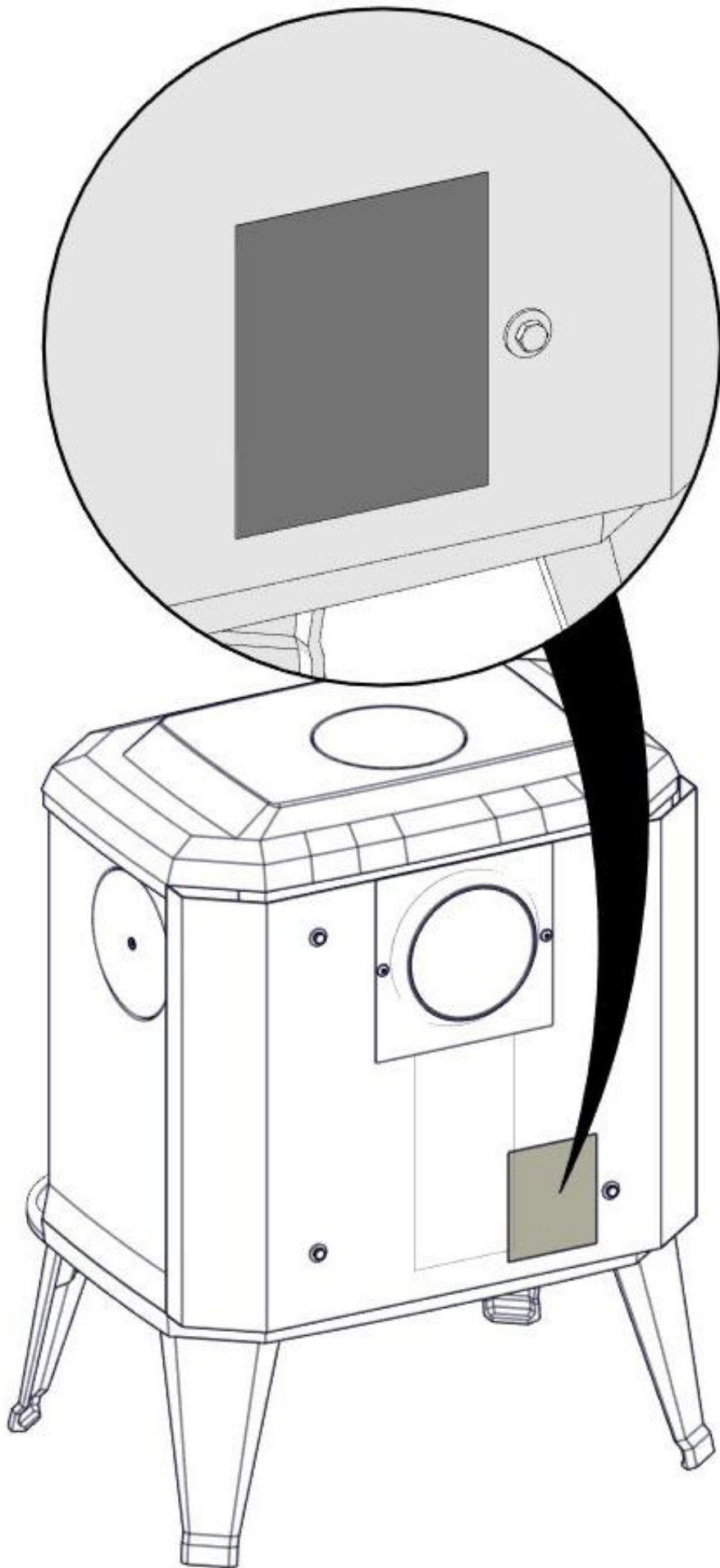


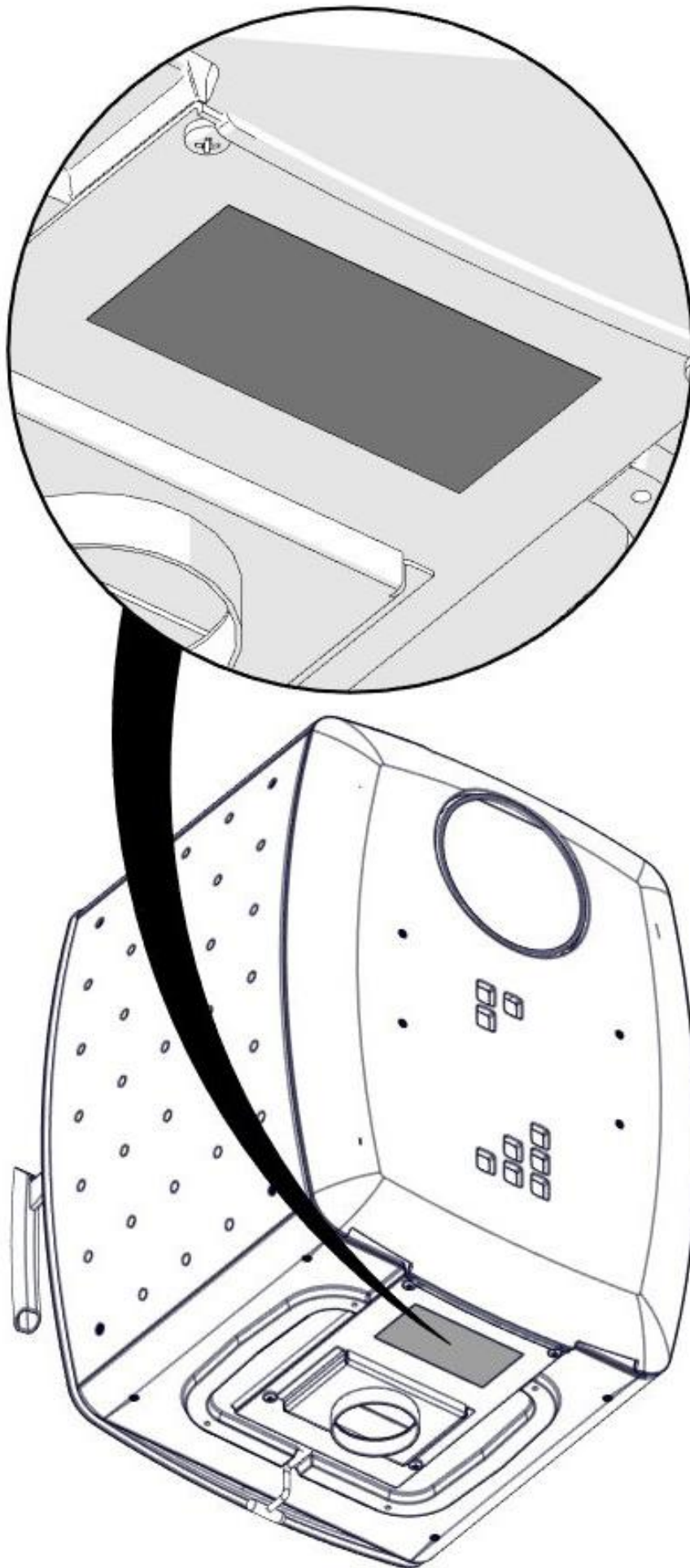
Duo series

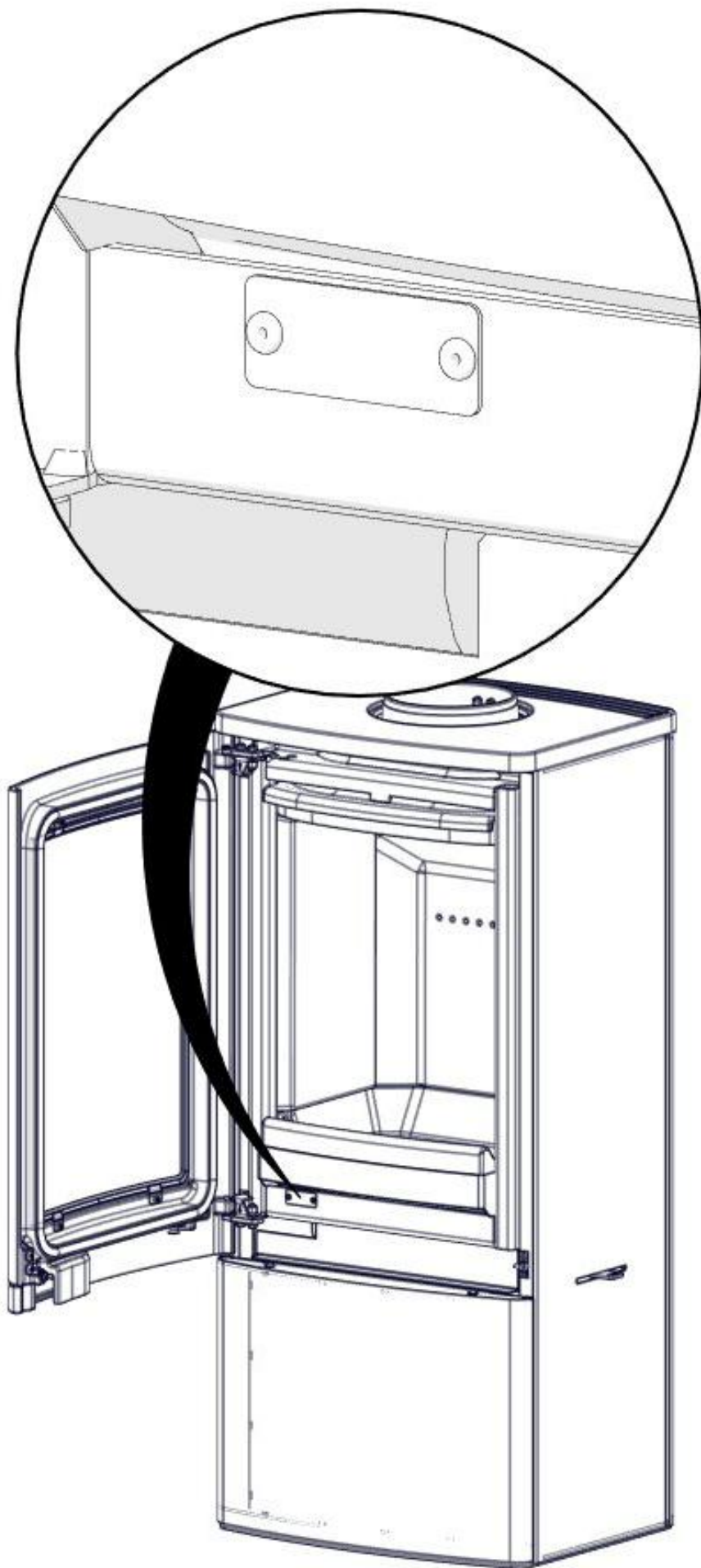


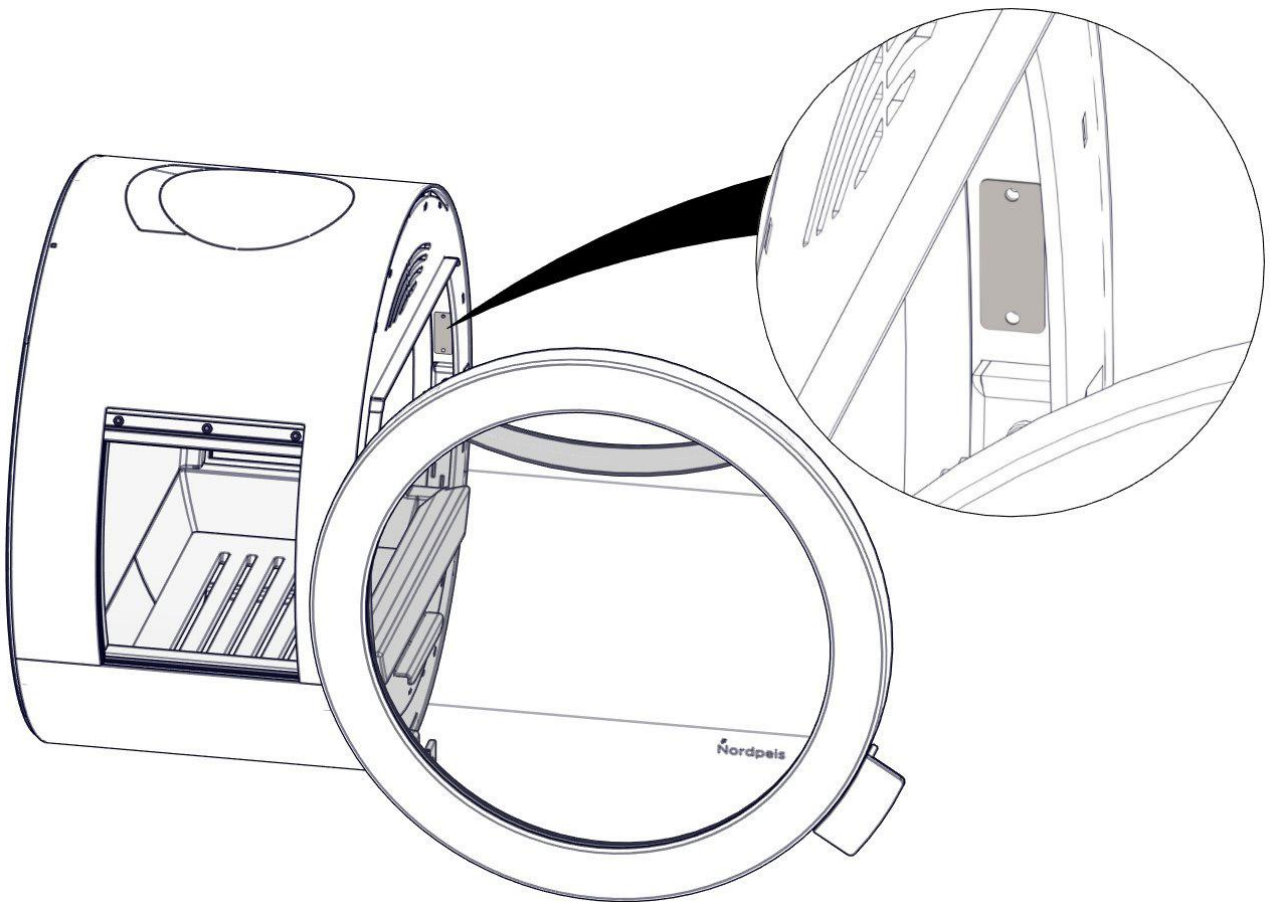
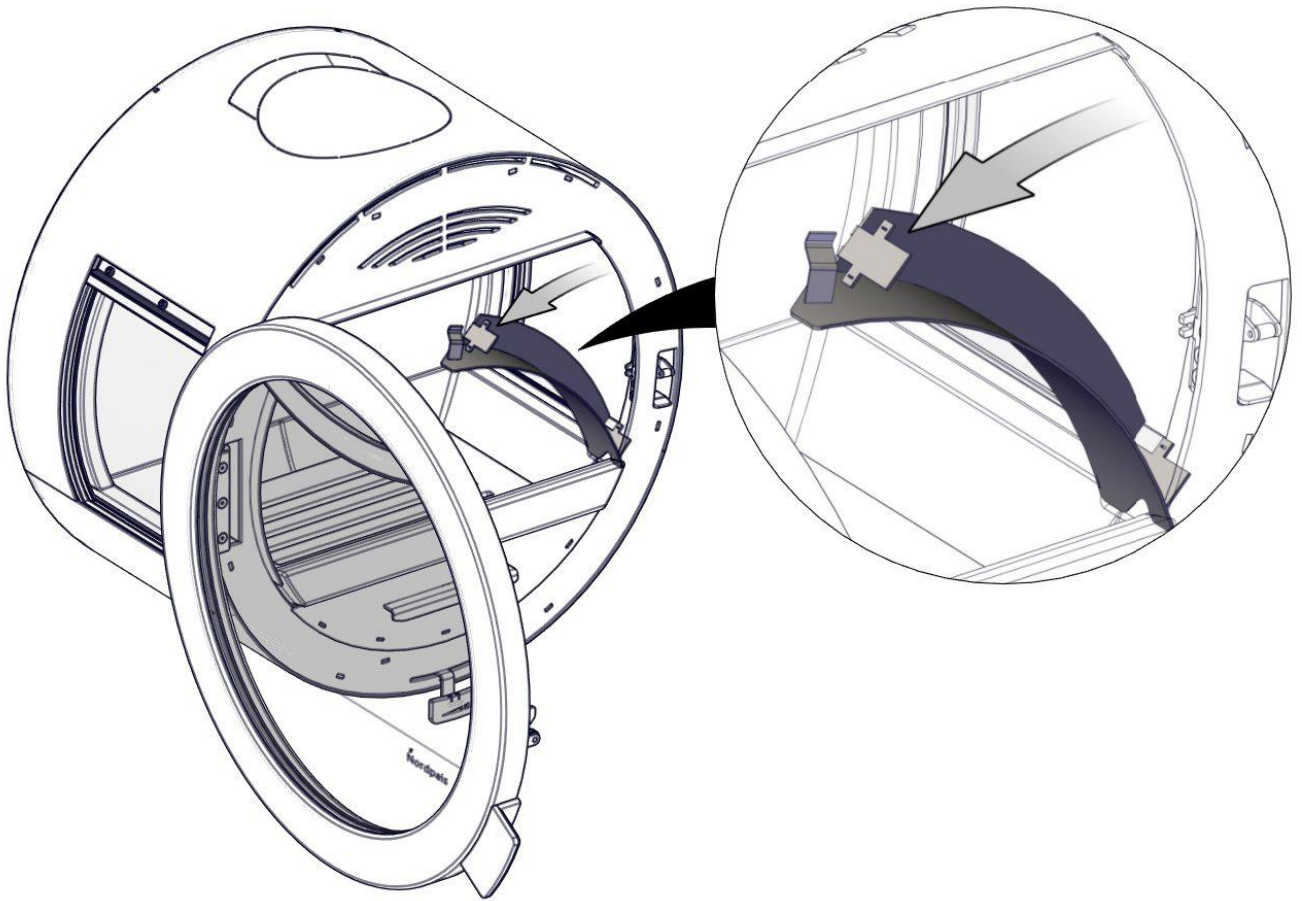


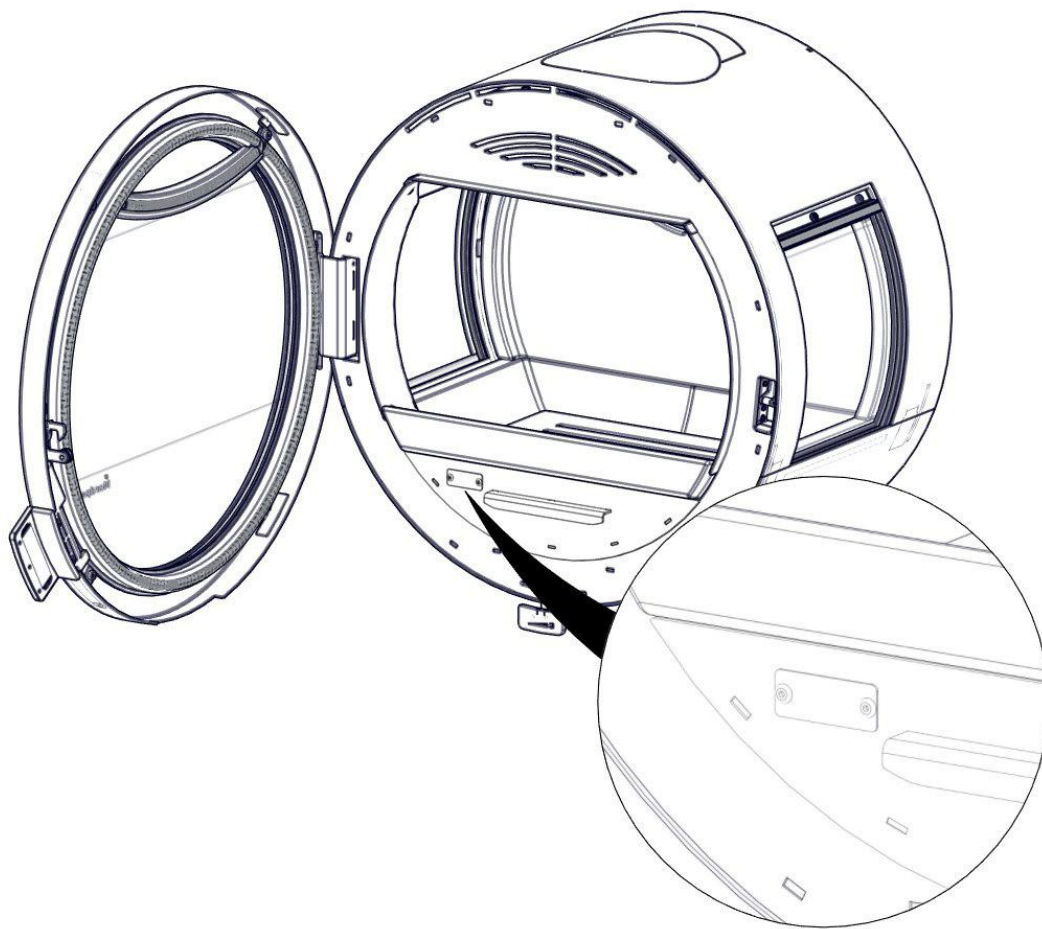
**Quadro Basic / Exclusive**

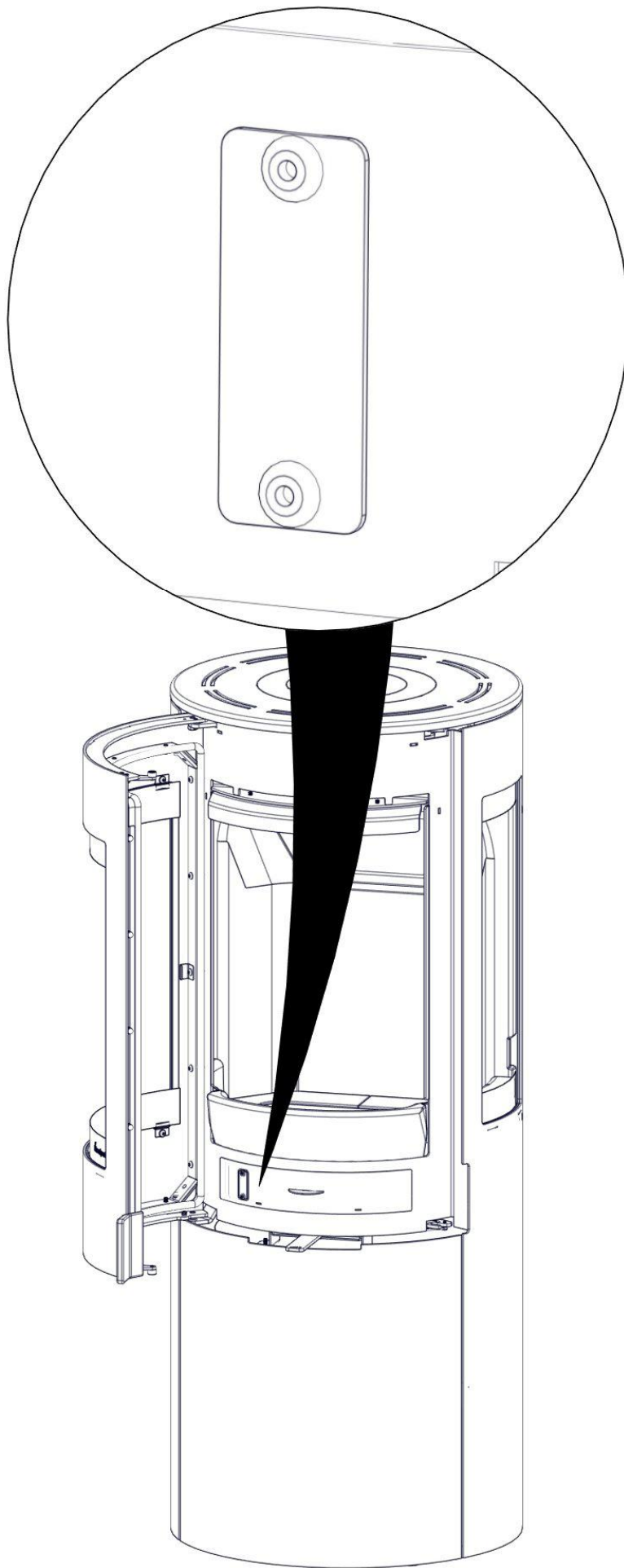




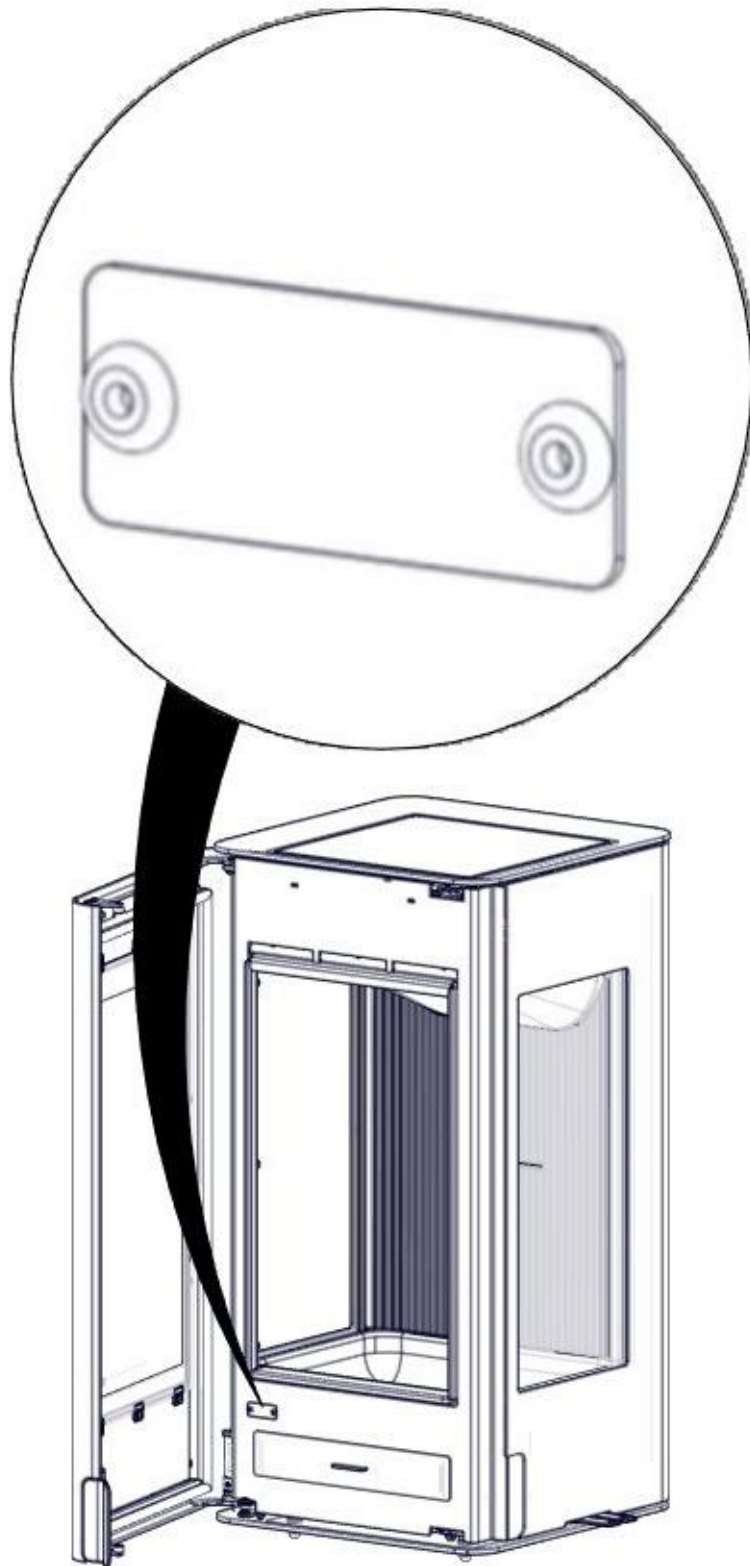








**Origo series**



 Nordpeis

Nordpeis AS, Gjellebekkstubben 9/11, N-3420 Lierskogen, Norway  
[www.nordpeis.com](http://www.nordpeis.com)