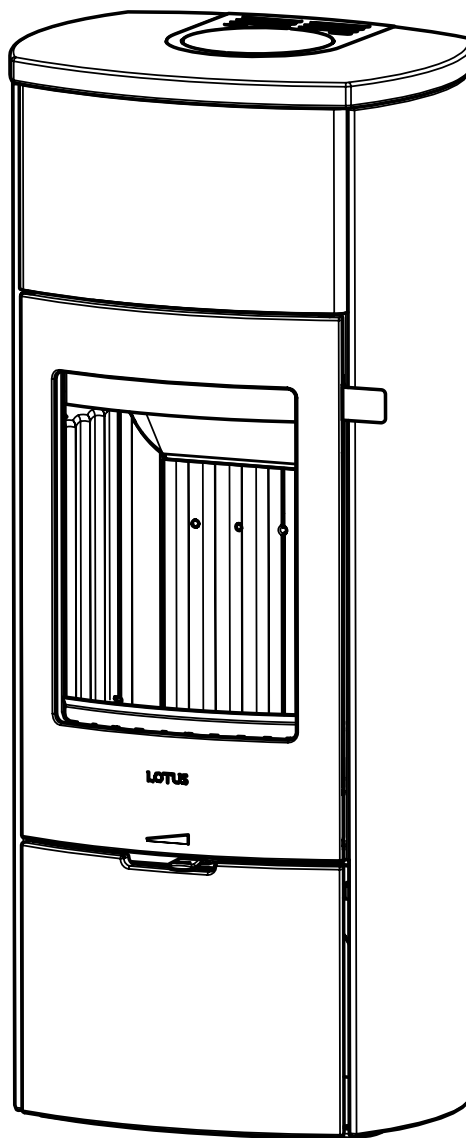


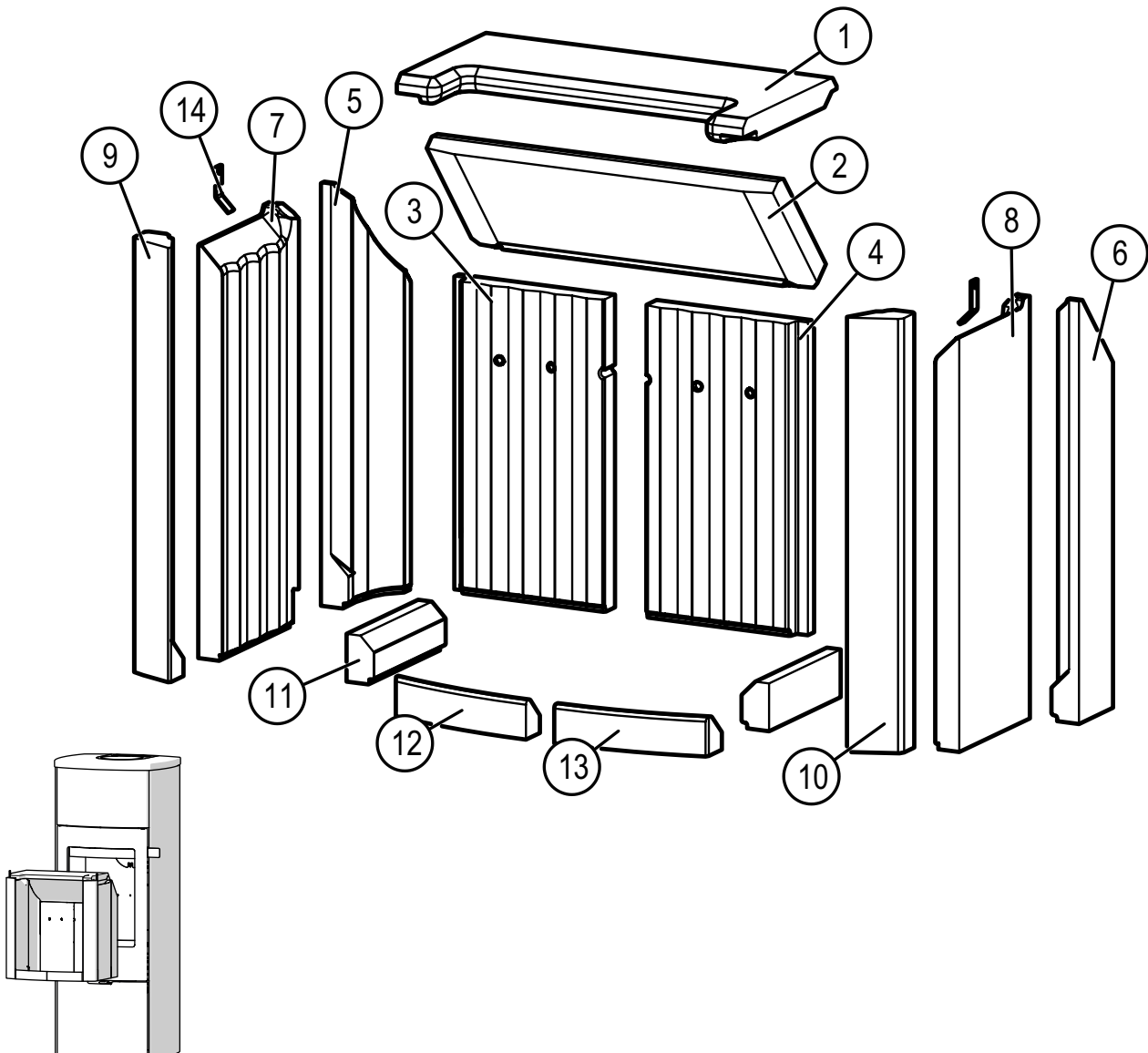
Mondo 30M

Exploded view



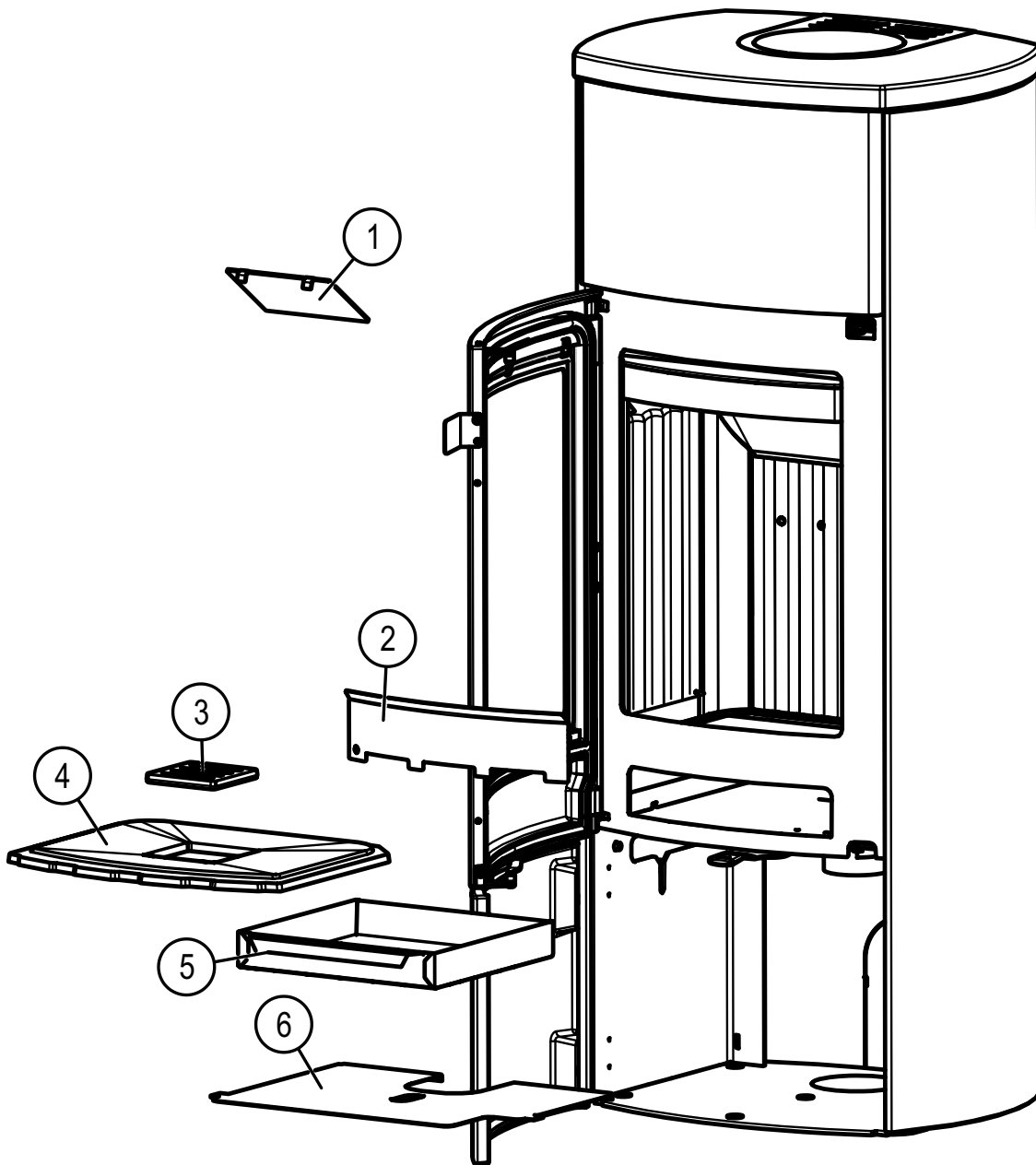
Mondo 30M

Pos.	Number	Description	Qty
1	10938	Deflector plate upper	1
2	10937	Deflector plate lower	1
3	12023	Insulation back left	1
4	12027	Insulation back right	1
5	12047	Insulation left side rear	1
6	12054	Insulation right side rear	1
7	12050	Insulation left side middle	1
8	12056	Insulation	1
9	12046	Insulation left side front	1
10	12055	Insulation right side front	1
11	12077	Insulation side under glass	2
12	12043	Insulation front left	1
13	12045	Insulation front right	1
14	11734	Holder for insulation	2



Mondo 30M

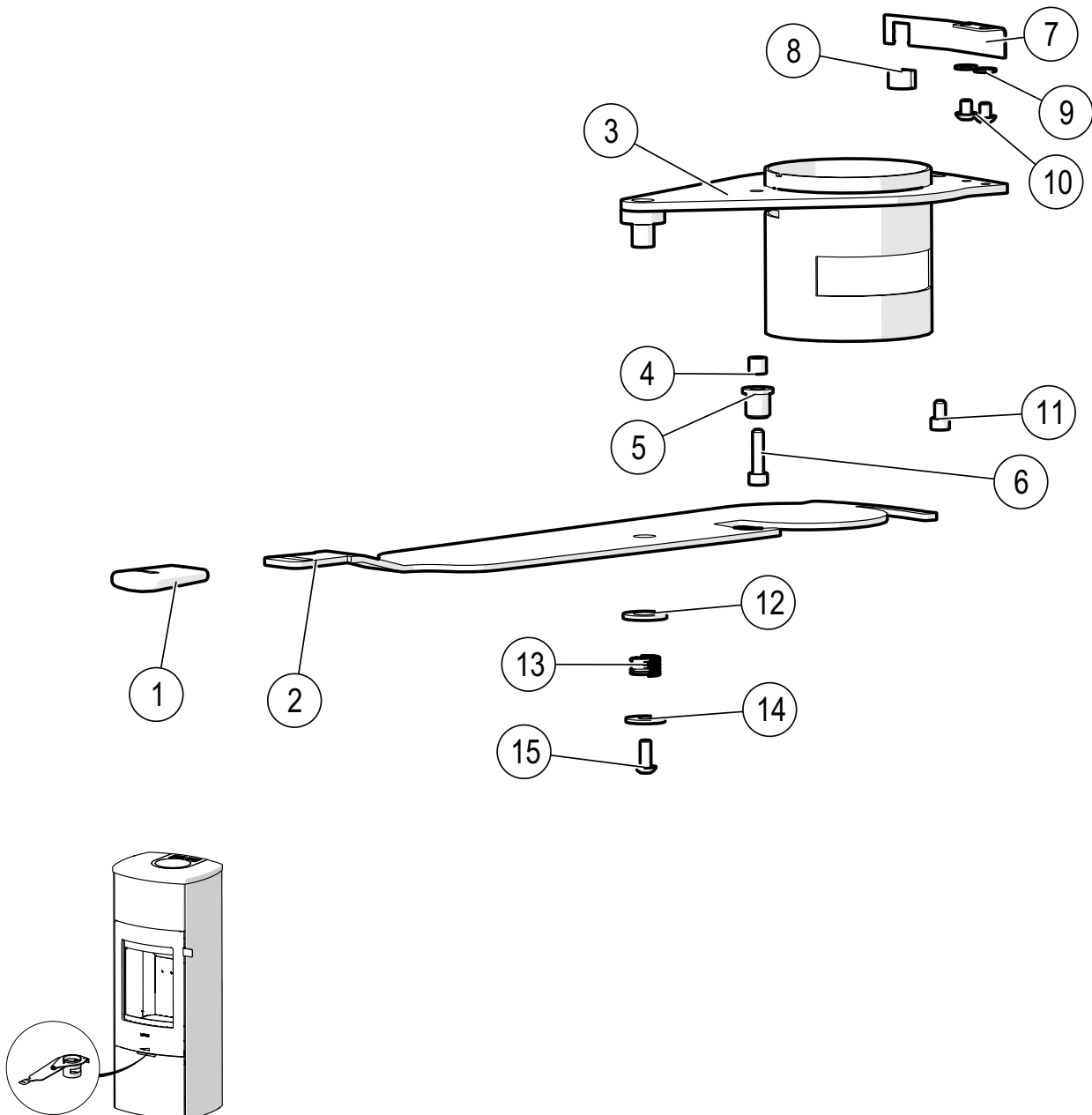
Pos.	Number	Description	Qty
1	13186	Bypass plate	1
2	200-0017	Logstop	1
3	11565	grate casted	1
4	10701	Bottom for chamber cast Mondo 3G	1
5	14965	Ash drawer	1
6	14059	Heat reflector plate	1



Mondo 30M

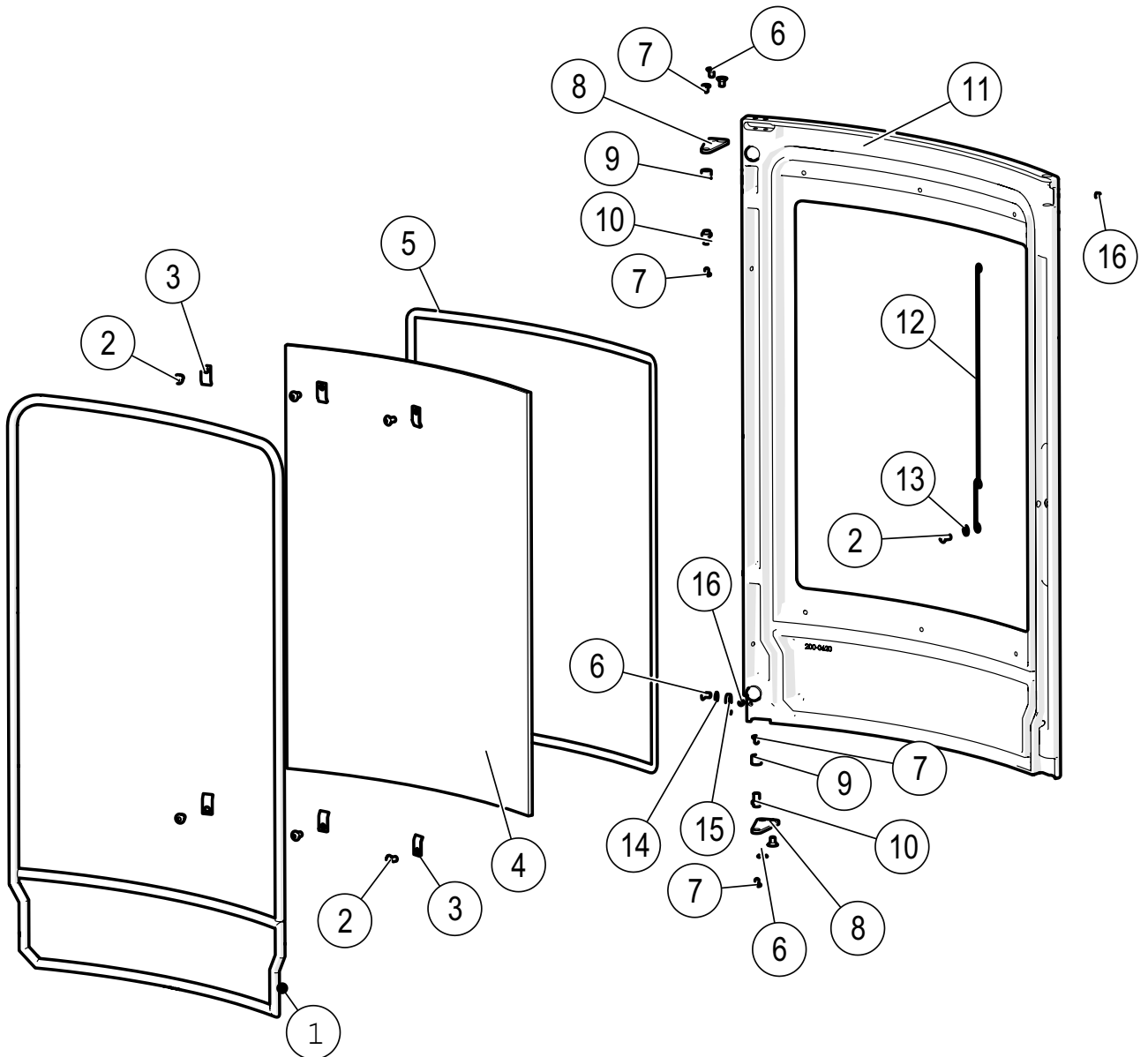
Pos	Number	Description	Qty
1	11605/11606*	Cover to handle for damper	1
2	82-0040	Damper plate for slide part	1
3	13864	Tube for air damper	1
4	12412	Bushing	1
5	11608	Rubber bushing	1
6	14641	Socket head cap screw M5 x 20 DIN912	1
7	15587	Sheet spring with slide part	1
8	13127	Rubber slide for damper	1
9	13673	Washer 5 mm DIN125A	2
10	11168	Button head screw M5 x 6 ISO7380 8.8	2
11	B-320508	Socket head cap screw M5 x 8 DIN912	1
12	13667	Washer 10 mm DIN125A	1
13	11137	Spring	1
14	13766	Plain washer 6 mm DIN9021	1
15	13701	Buttonhead screw M5 x 12 ISO7380	1

*depends on colour/style



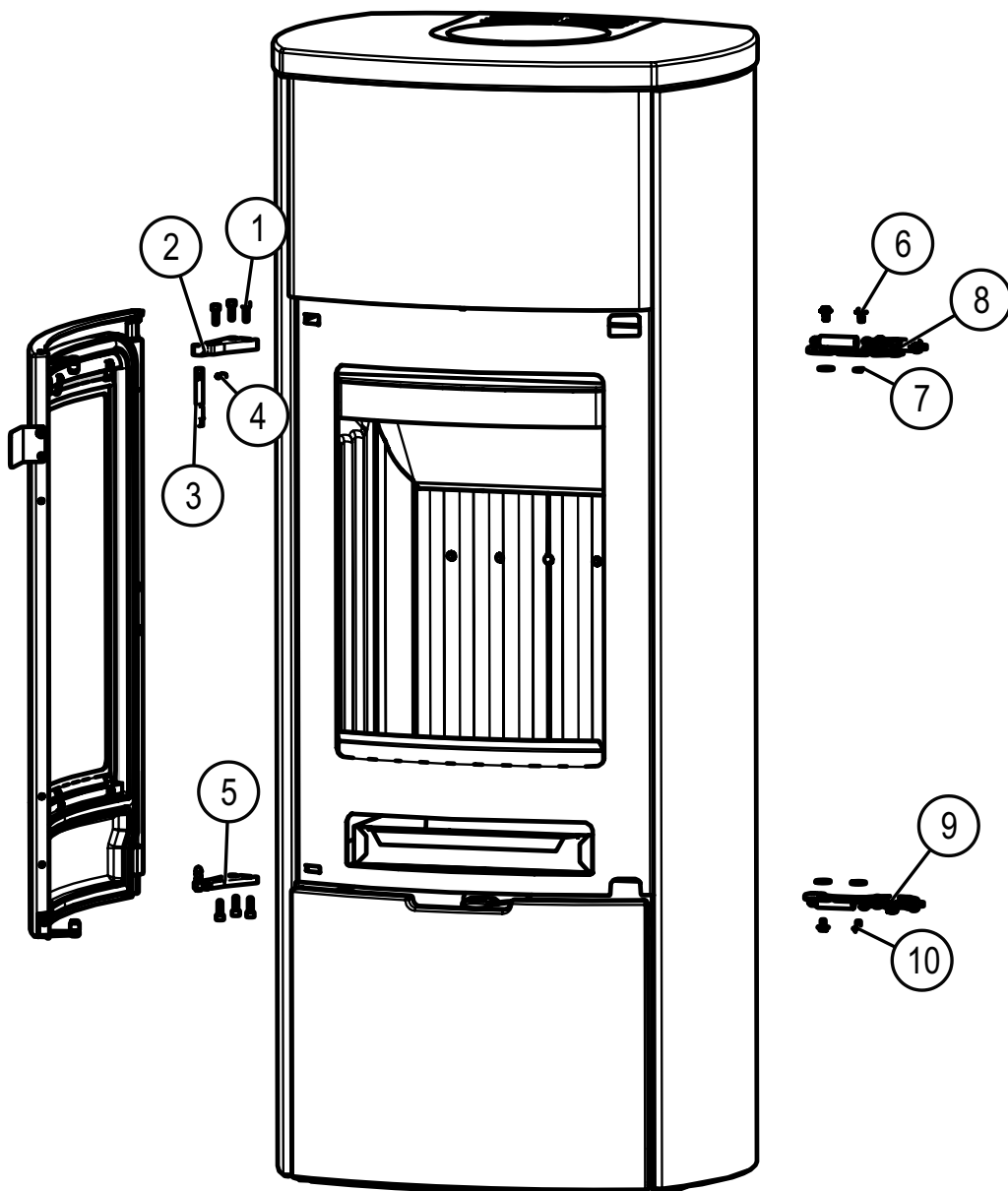
Mondo 30M

Pos	Number	Description	Qty
1	12795	Soft braided 12 mm gasket	1
2	11169	Button head screw M5 x 8	7
3	13870	Plate	6
4	10754	Glass curved	1
5	12818	Gasket ø6 mm	1
6	11991	Hex countersunk screw M5x8	5
7	11699	Hexagon cap screws M4 x 6	4
8	13001	Plate for closing tap	2
9	10811	Bushing	2
10	13375	Shaft for closing system	2
11	10848	Cast door machined	1
12	11161	Spring for door	1
13	13673	Washer 5 mm DIN125A	1
14	14301	Disc spring 10x5.2x0.40 DIN 2093 W 1.4310	1
15	16567	Door stop	1
16	14006	Socket set screw M5 x 4 DIN913	2



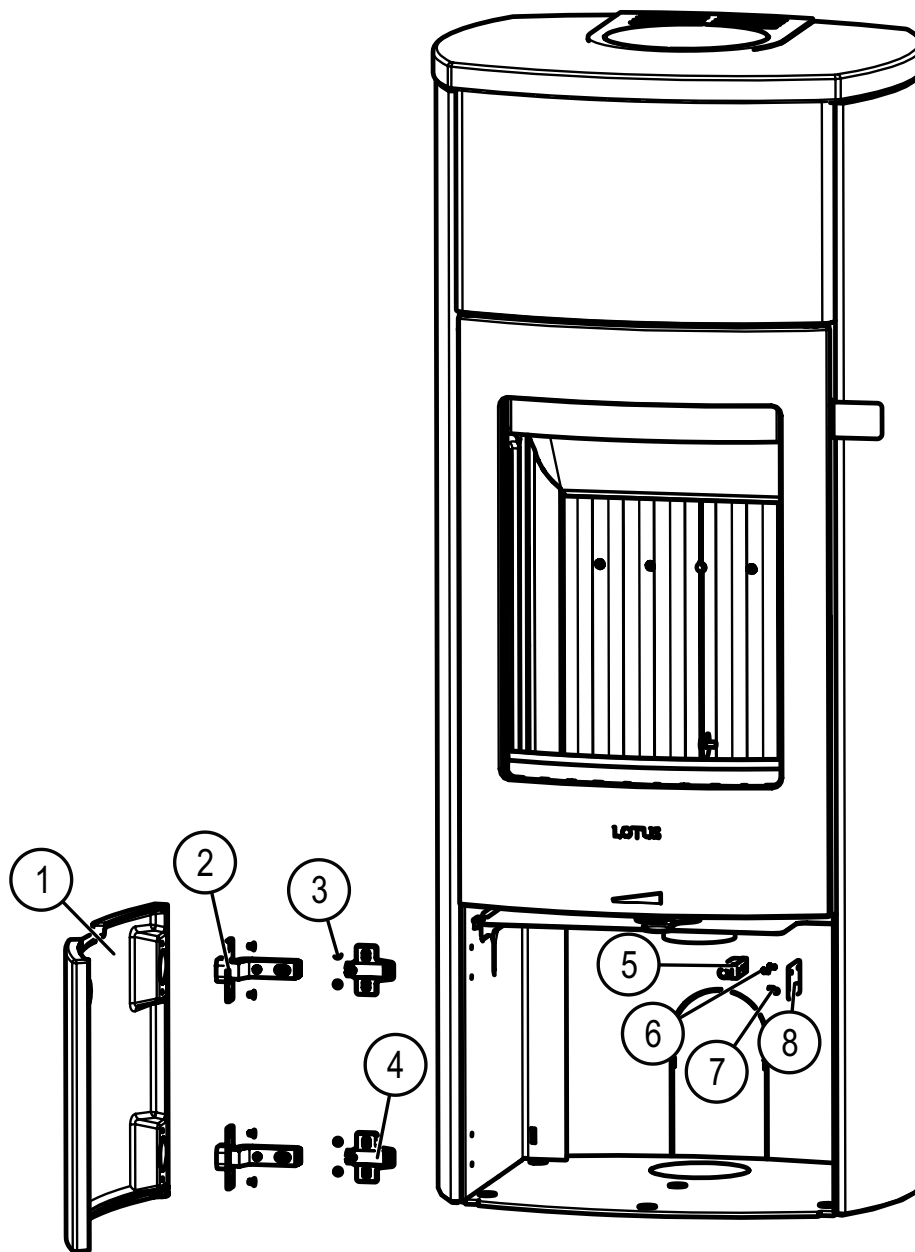
Mondo 30M

Pos.	Number	Description	Qty
1	14640	Socket head cap screw M5 x 16 DIN 912	6
2	11715	Hinge part top	1
3	11824	Hinge pin	1
4	14663	Socket head cap screw M4 x 6 DIN 912	1
5	16048	hinge part bottom assembled	1
6	16983	Hexagon head screw M5 x 10 BN 5950 4.8	2
7	13682	Washer 8 mm DIN125A	4
8	15708	Closing system assembled	1
9	15709	200115 closing system bottom assembled	1
10	B-770508	Hexagon head screw M5 x 8 BN 5950 4.8	2



Mondo 30M

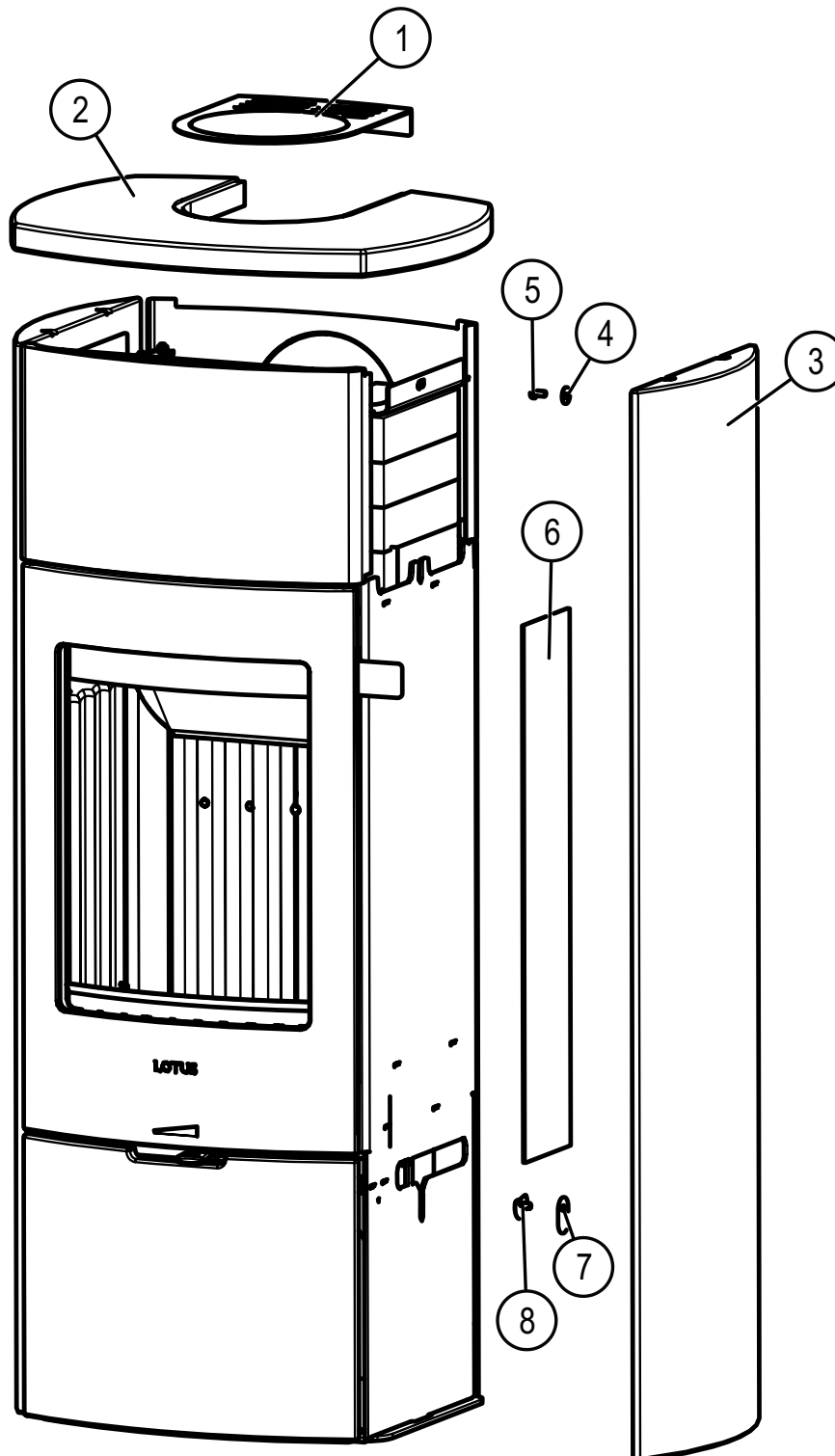
Pos.	Number	Description	Qty
1	14796	Lower door assembled	1
2	11723	hinge soft close assembled	2
3	11967	Hex. socket countersunk head screw M4x6	8
4	12166	Keeper for hinge soft close	2
5	13051	Push button for lower door assembled	1
6	13687	Screw Button head M3x6 ISO 7380	1
7	14645	Socket head cap screw M5 x 5 DIN 912 8.8	1
8	13007	Plate for stop for lower door	1



Mondo 30M

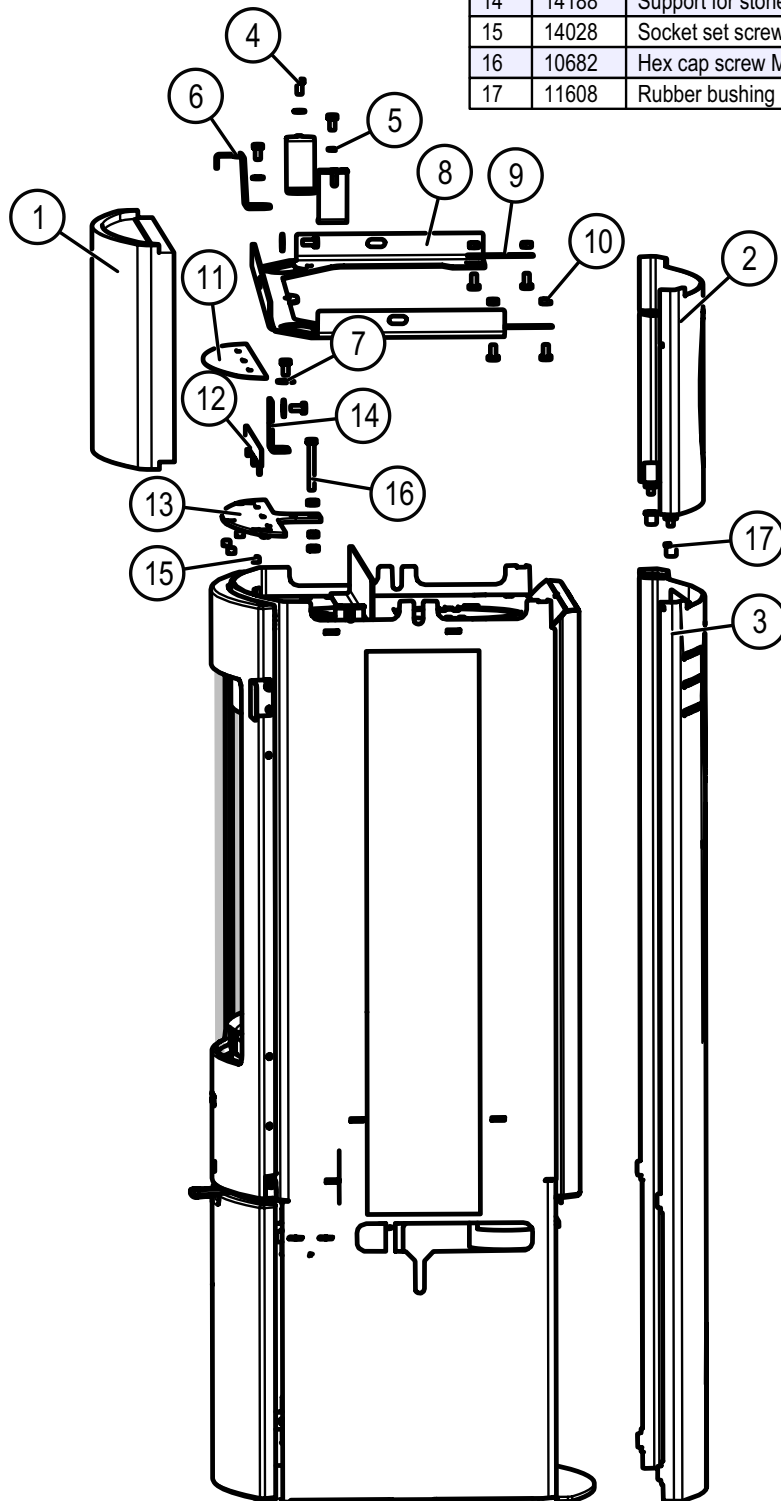
Pos.	Number	Description	Qty
1	14332	Top cover assembled for Mondo 3 M	1
2	200141/200241*	Topplate stone Indian night	1
3	200142/200242*	Side stone M Indian night assembled	2
4	13766	Plain washer 6 mm DIN9021	2
5	10677	Hex cap screw M6x12 DIN933	2
6	12040	Insulation	2
7	10948	distance part for stone	1
8	13684	Screw Hex w.inner hex and fixed washer	2

*depends on colour/style



Mondo 30M

Pos.	Number	Description	Qty
1	200151	Upper front stone assembled	1
2	14676	Upper back plate welded Mondo M	1
3	200185	Back plate welded Mondo 3G	1
4	10677	Hex cap screw M6x12 DIN933	10
5	13676	Washer 6 mm DIN125A	3
6	13254	Safety bracket for high side stone	3
7	13766	Plain washer 6 mm DIN9021	3
8	11735	Holder for stone in top	1
9	14350	Top support for back plate	2
10	12653	Hex nuts M6 ISO 4032 - DIN 934 8.8	7
11	12322	Item above the door	1
12	13269	Top stone support	1
13	12130	Item above the door welded	1
14	14188	Support for stone above door	1
15	14028	Socket set screw M8x6 ISO 4026 - DIN 913 45H	4
16	10682	Hex cap screw M6 x 50 DIN 933 Zinc plated blue	1
17	11608	Rubber bushing	2



Mondo 30M

Pos.	Number	Description	Qty
1	200-0662	Weight stone	8

