

Broil King®

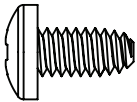

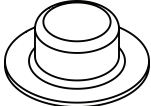
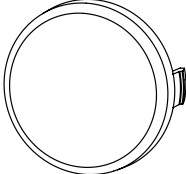
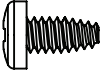
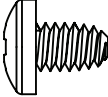
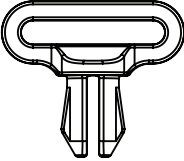
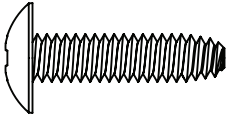
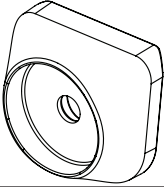
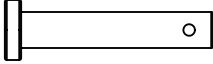
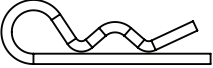


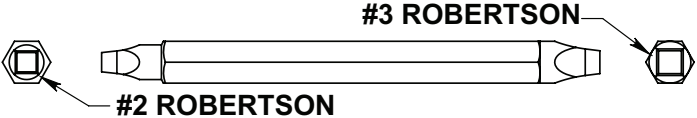


Broil King®
GEM 310
8141-52
8141-53

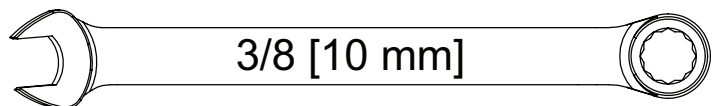
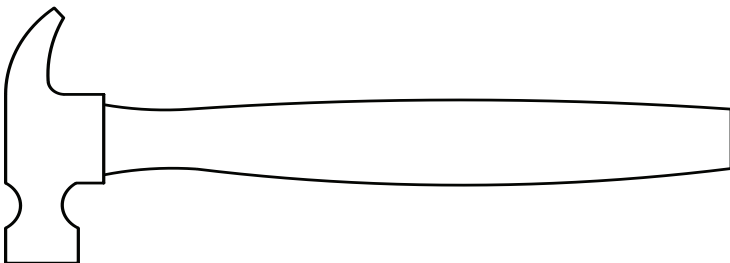


Broil King®
GEM 310 SHADOW
8149-52
8149-53

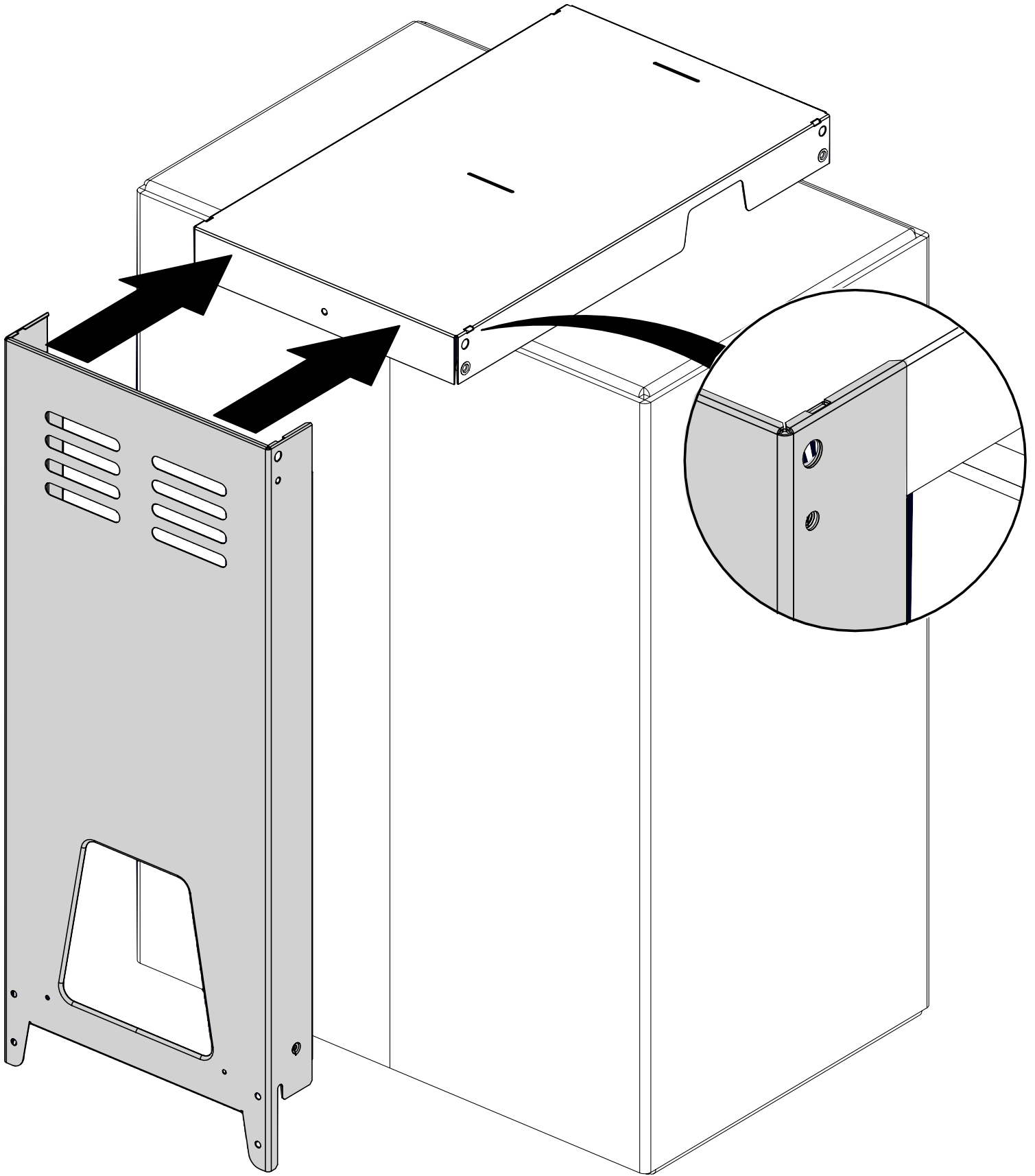
HARDWARE INCLUDED

Y-12865		(4)	AAA		(1)
S21420		(2)	32001-152		(2)
Y-29304		(4)	Y-12855		(10)
Y-12673		(2)	Y-12860		(2)
34000-336		(2)	32300112		(2)
S21233		(2)	Y-29307		(2)
S21124		(4)	 <p style="text-align: center;">#3 ROBERTSON</p> <p style="text-align: center;">#2 ROBERTSON</p>		

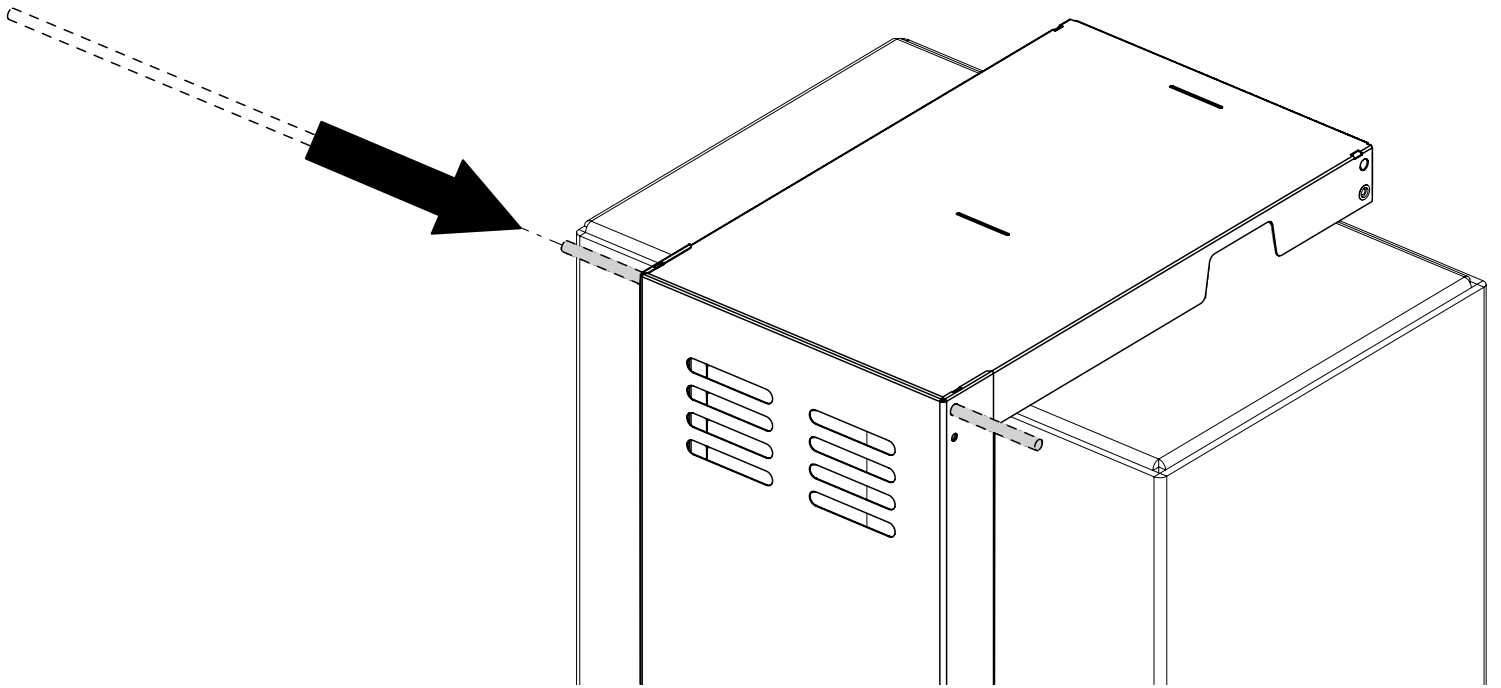
TOOLS REQUIRED



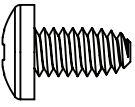
1

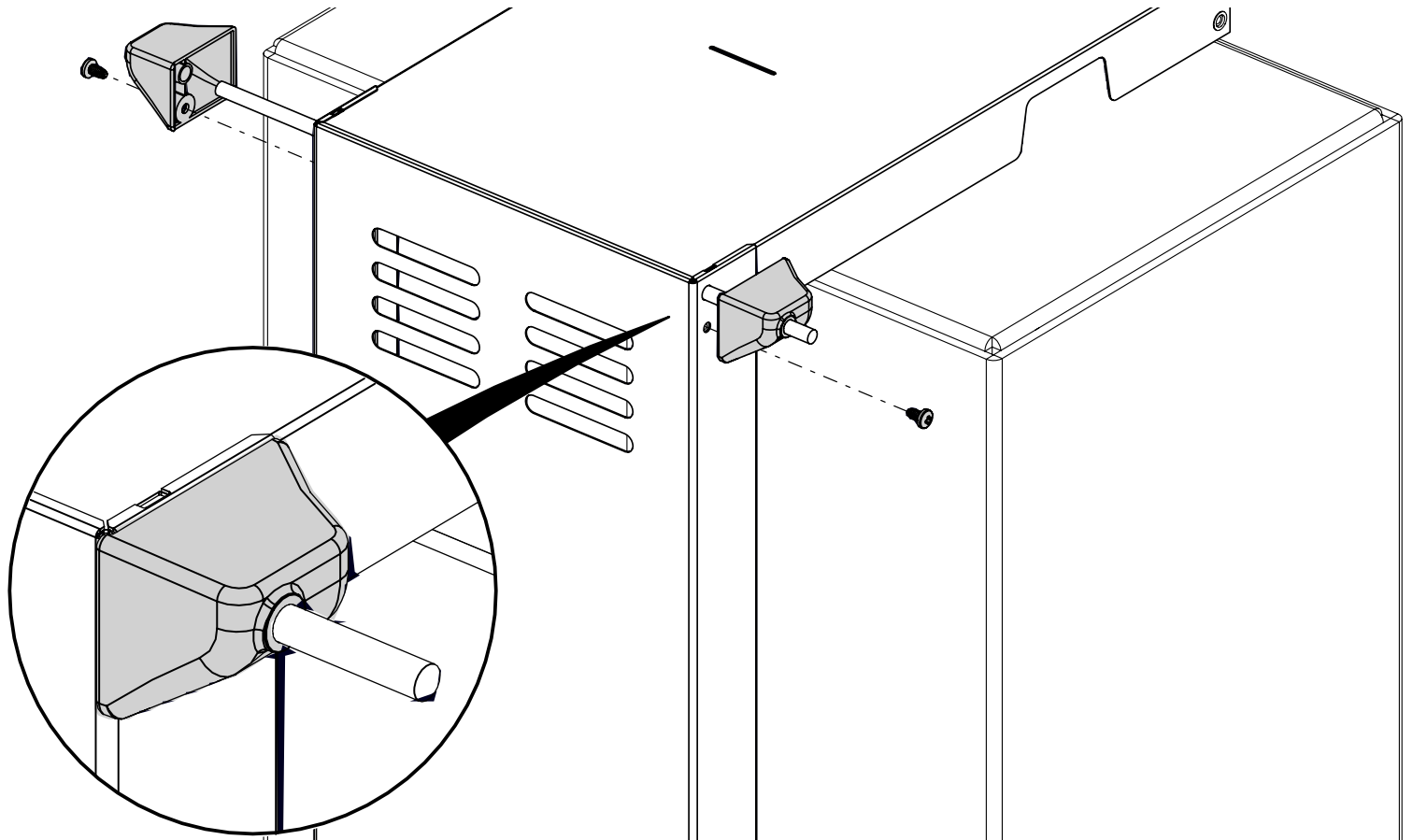


2



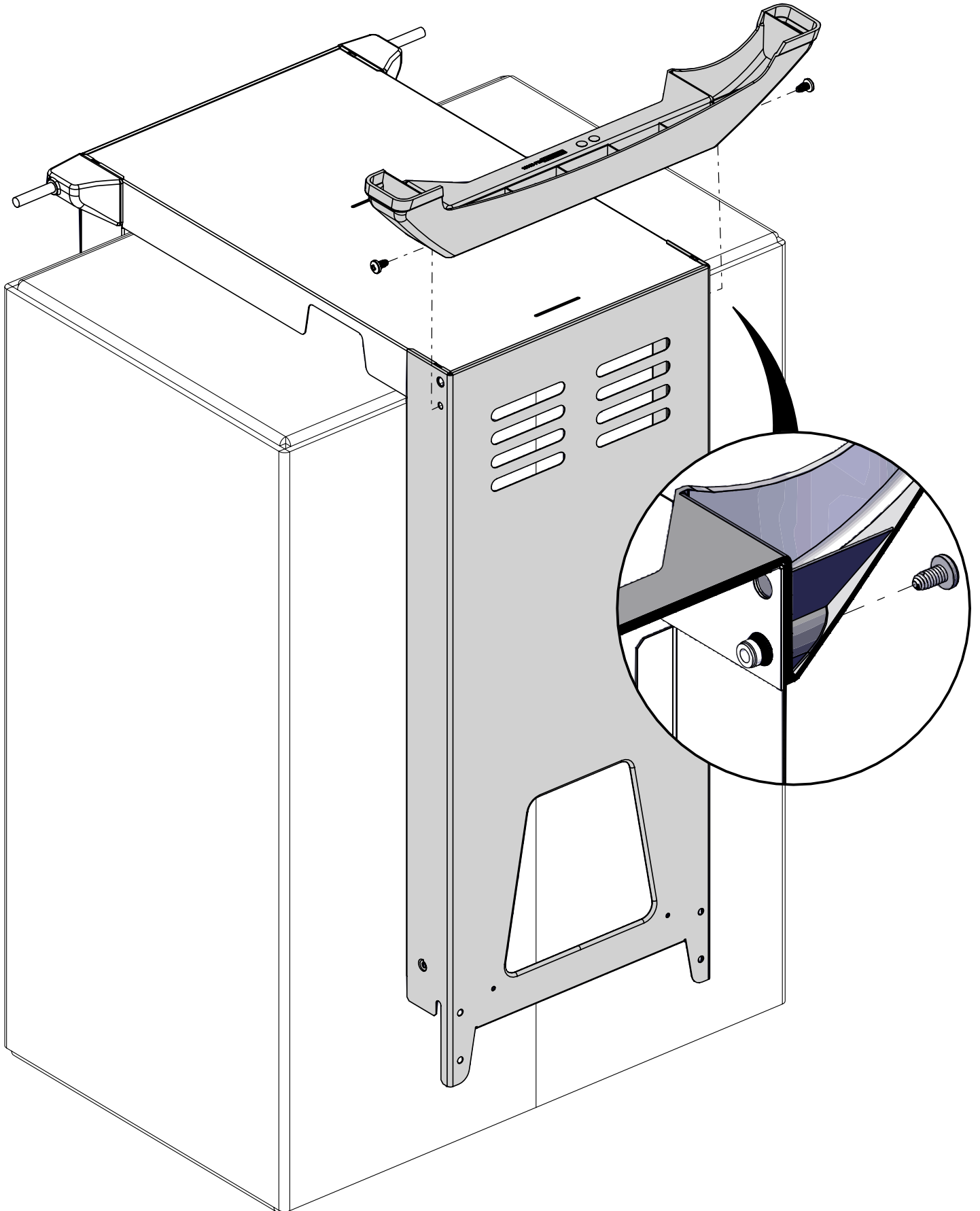
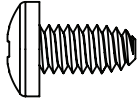
3

(2) 



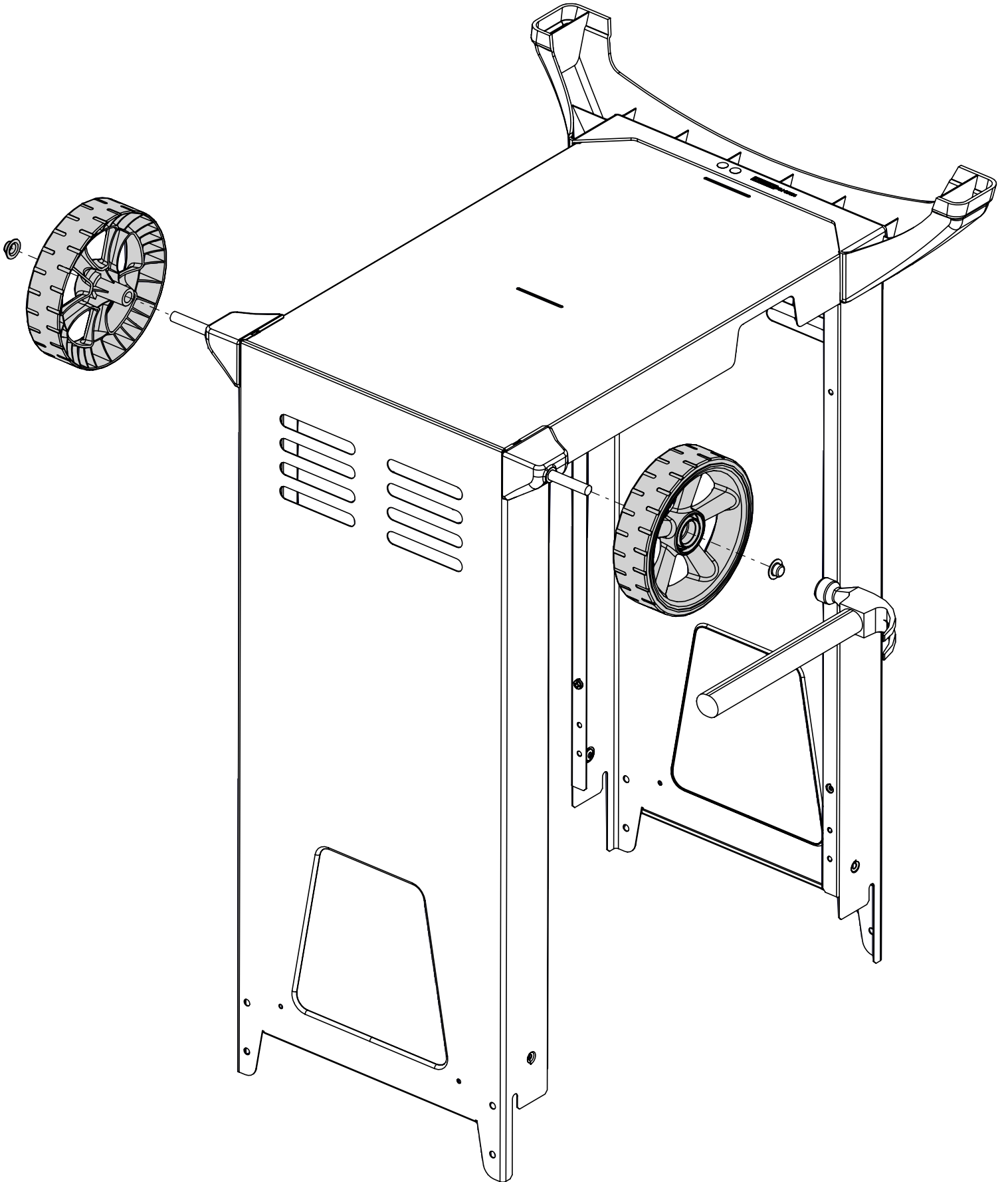
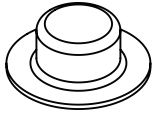
4

(2)



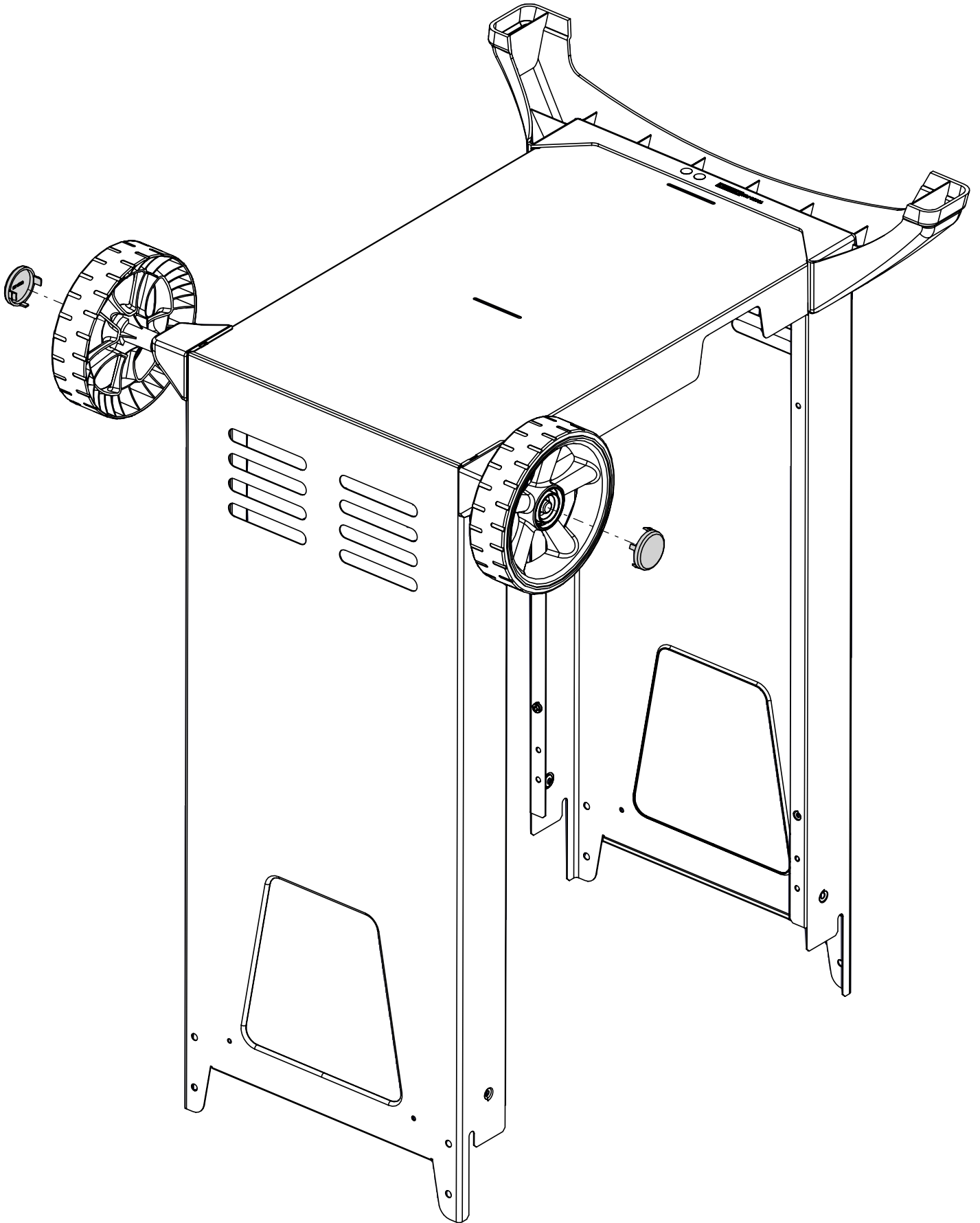
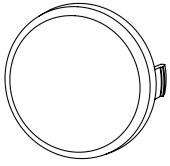
5

(2)

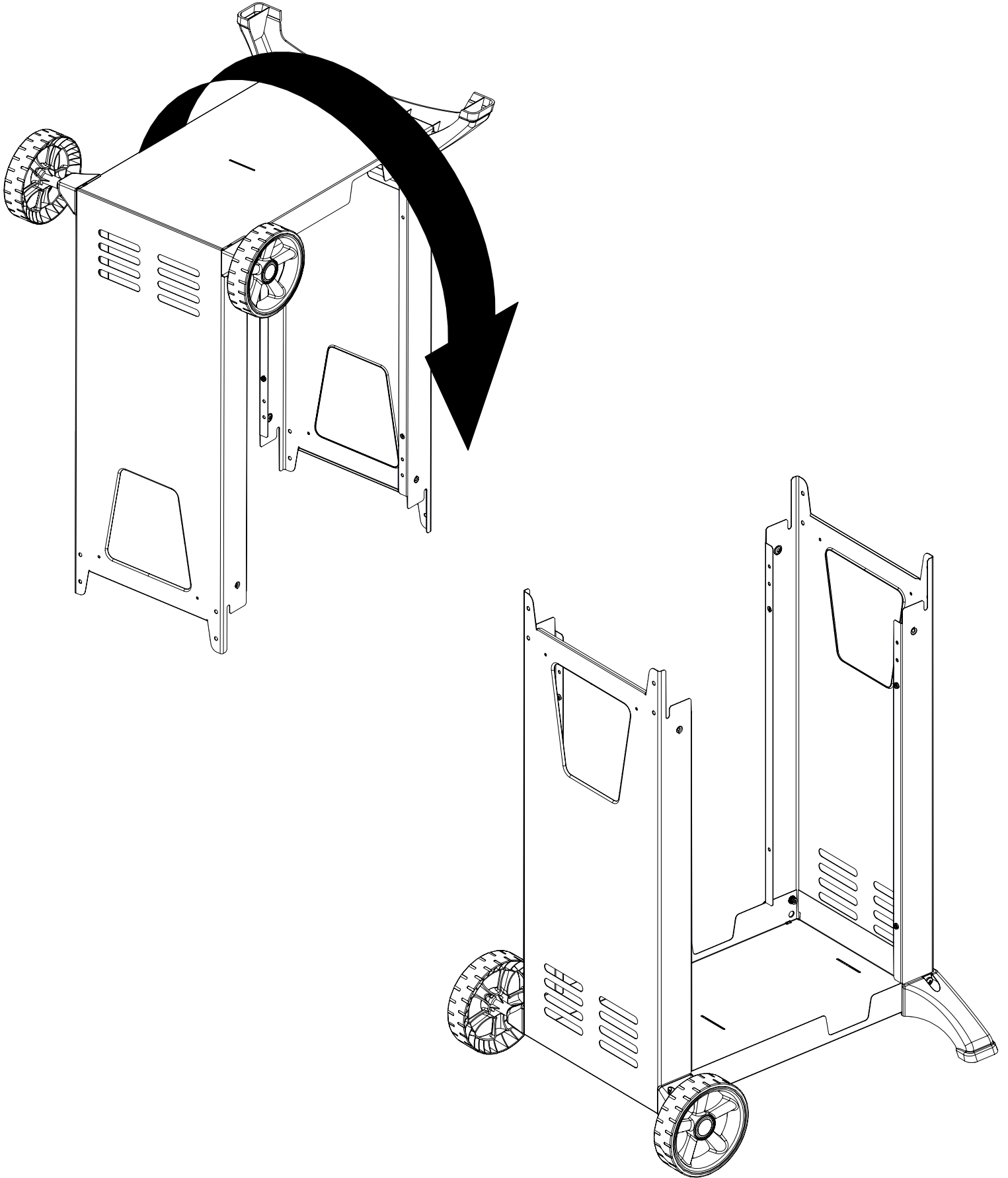


6

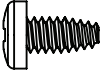
(2)

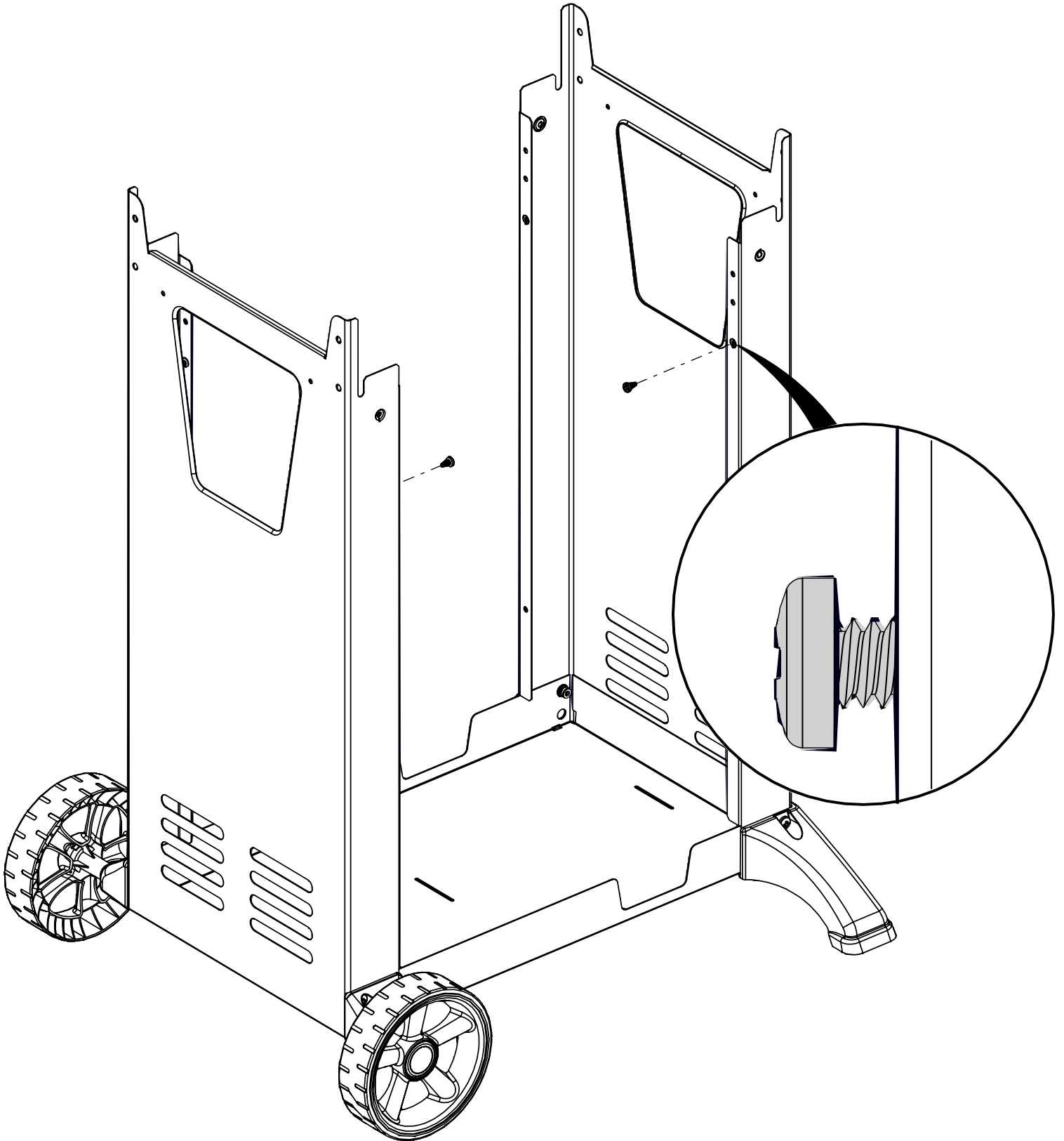


7

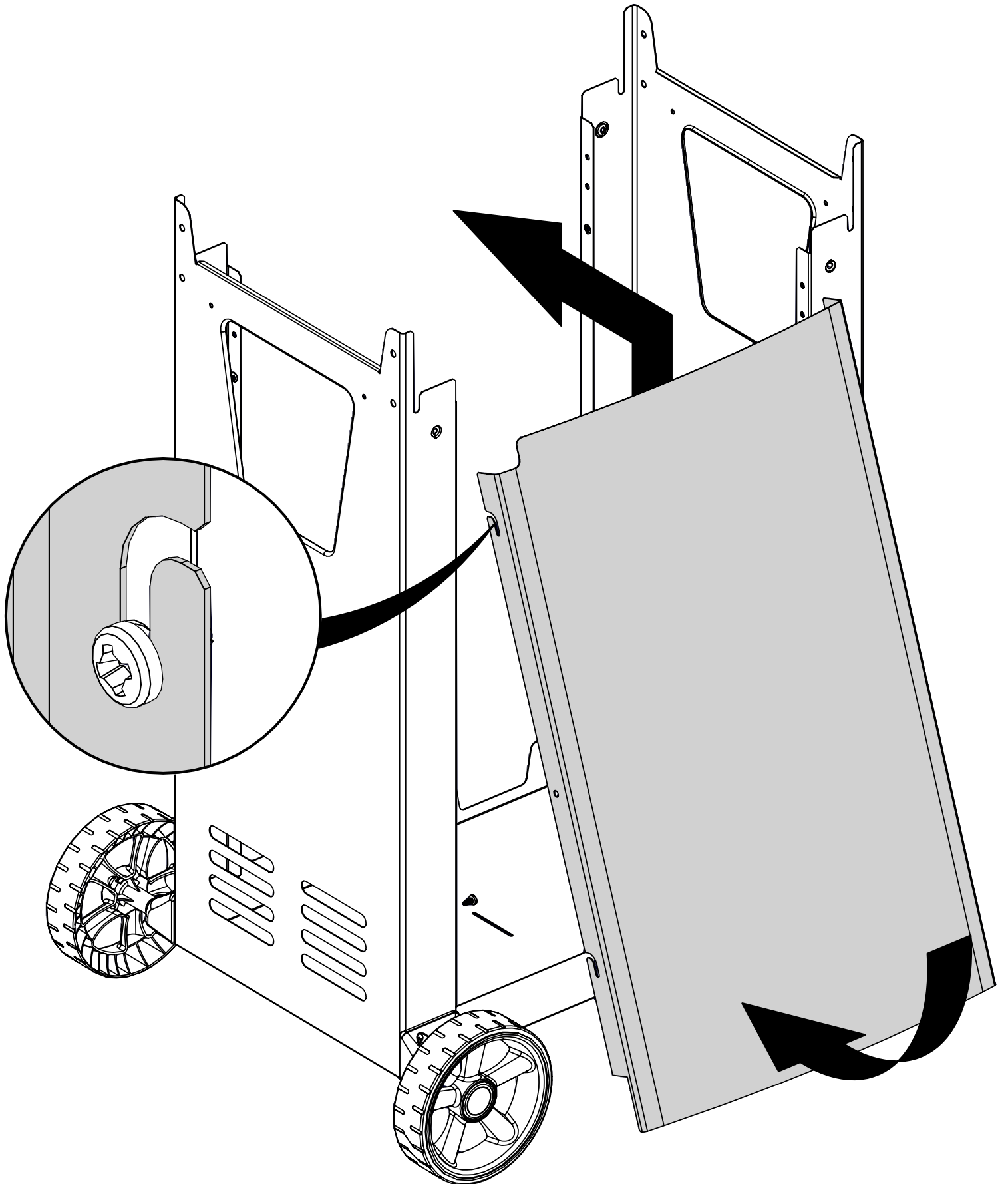


8

(2) 

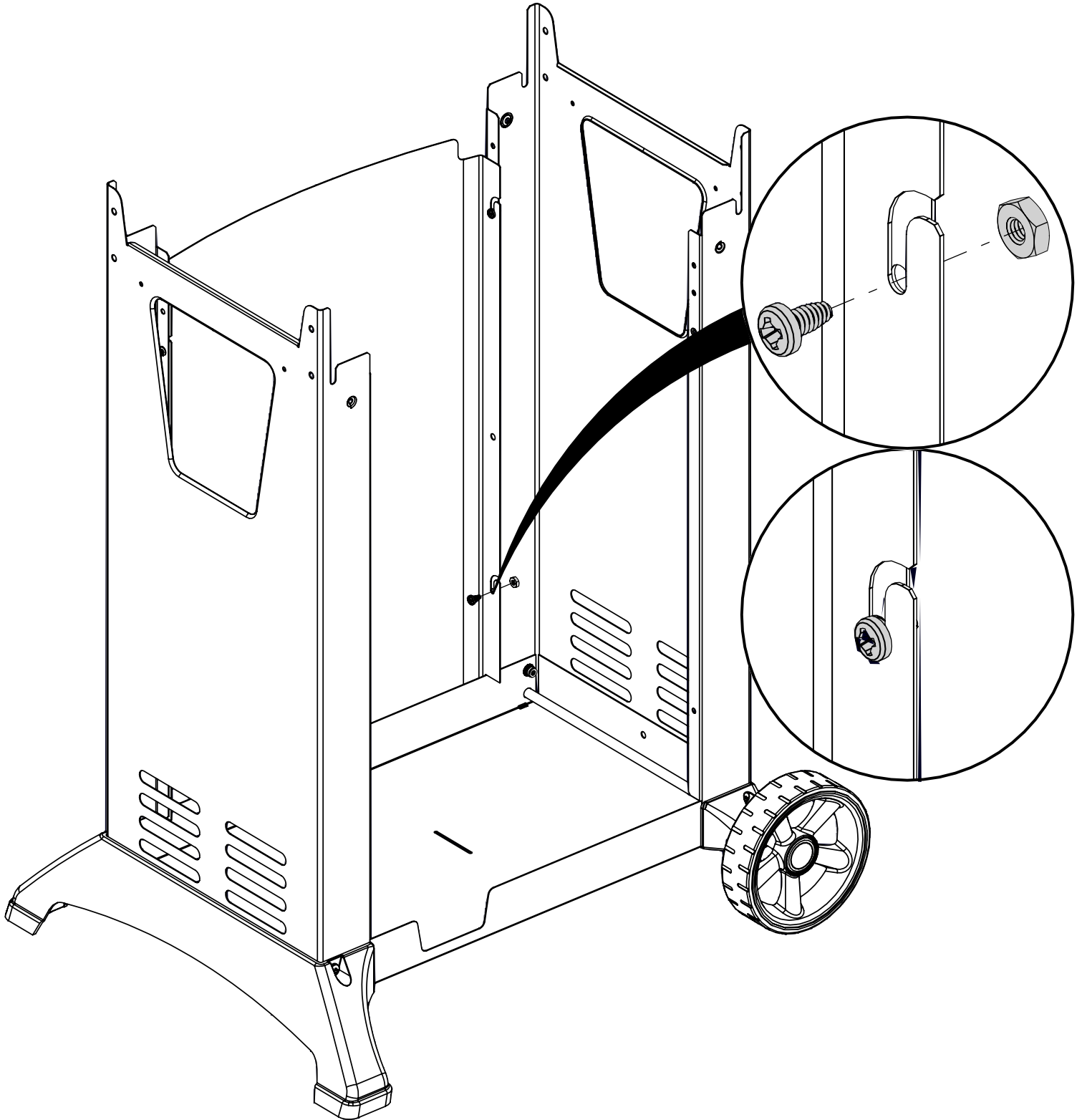


9

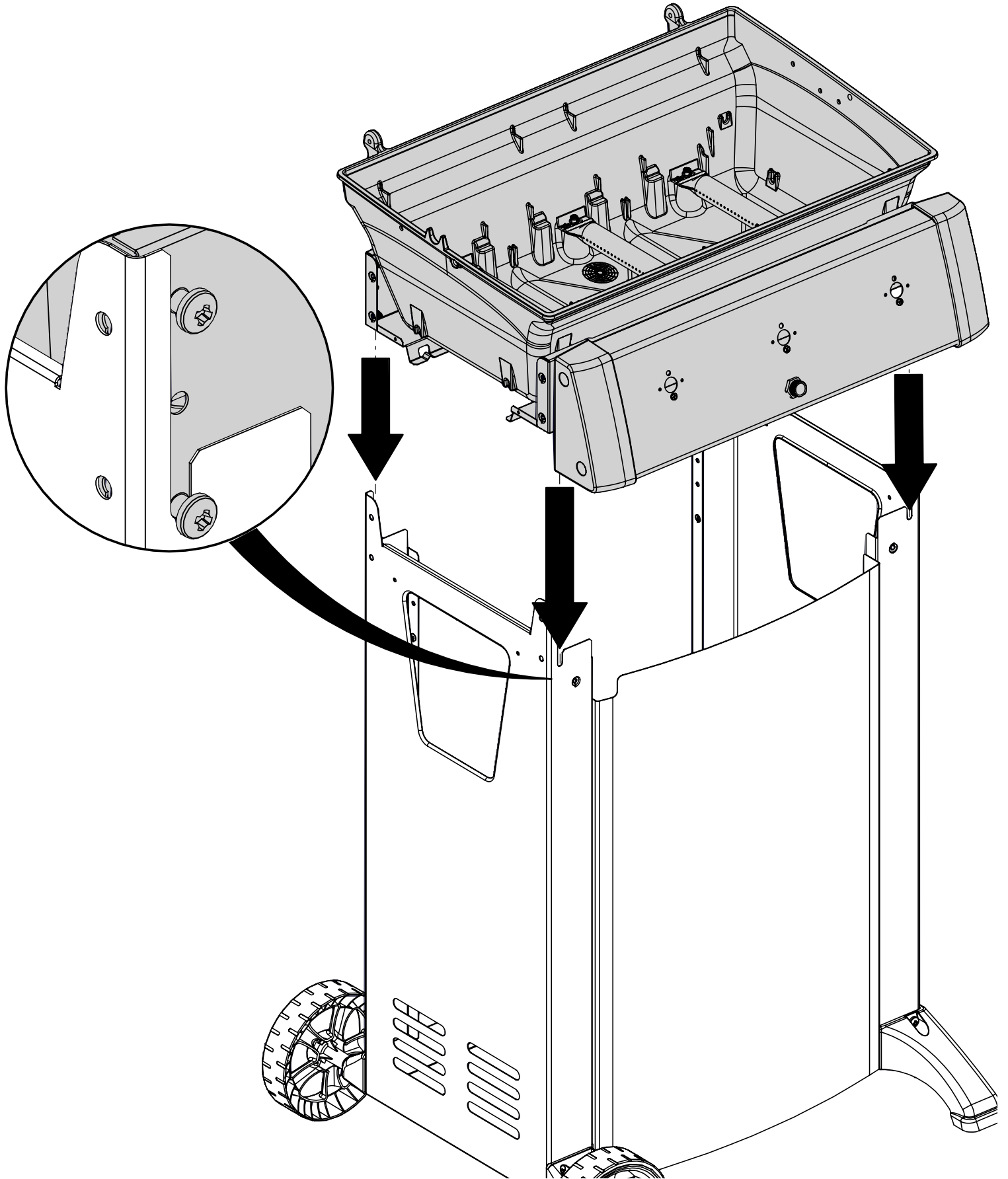


10

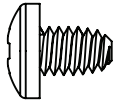
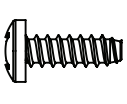
(2)  (2) 

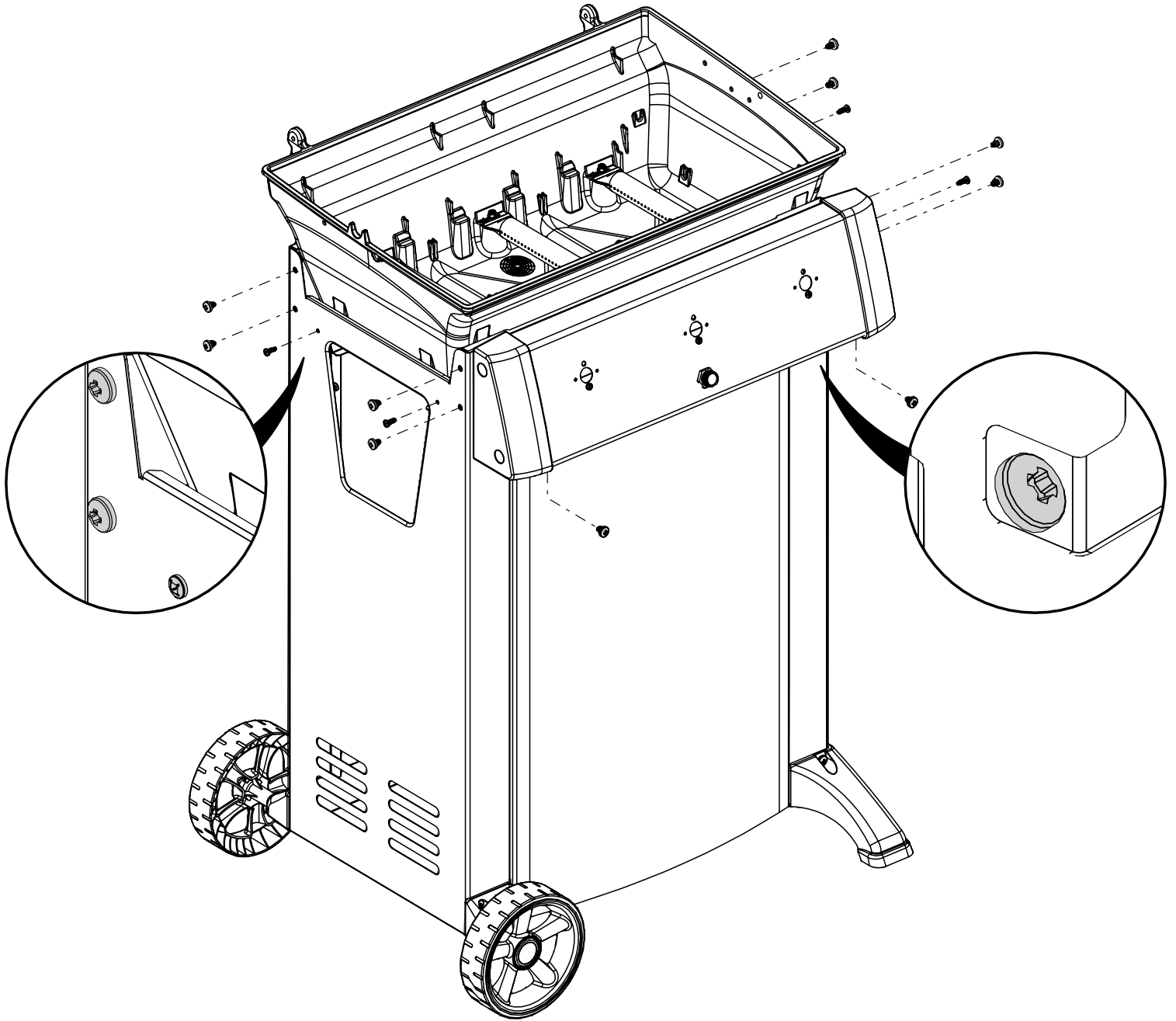


11

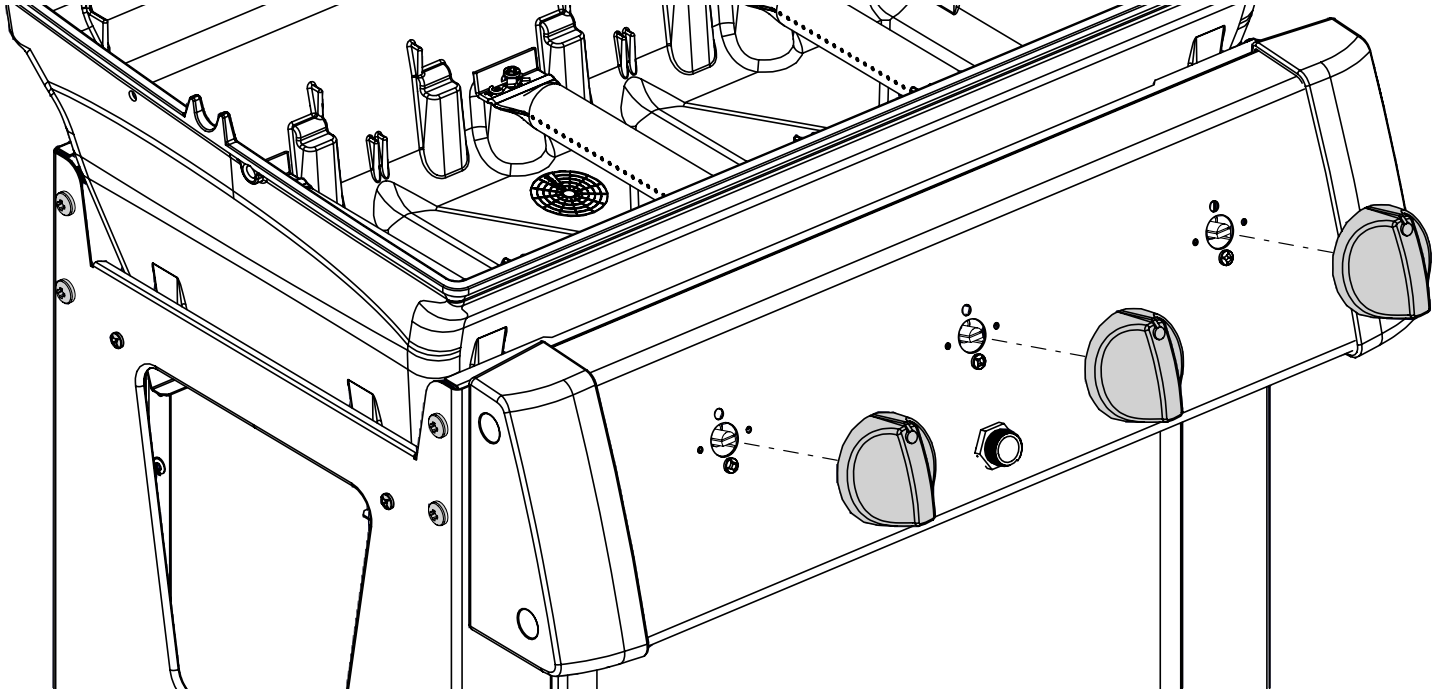


12

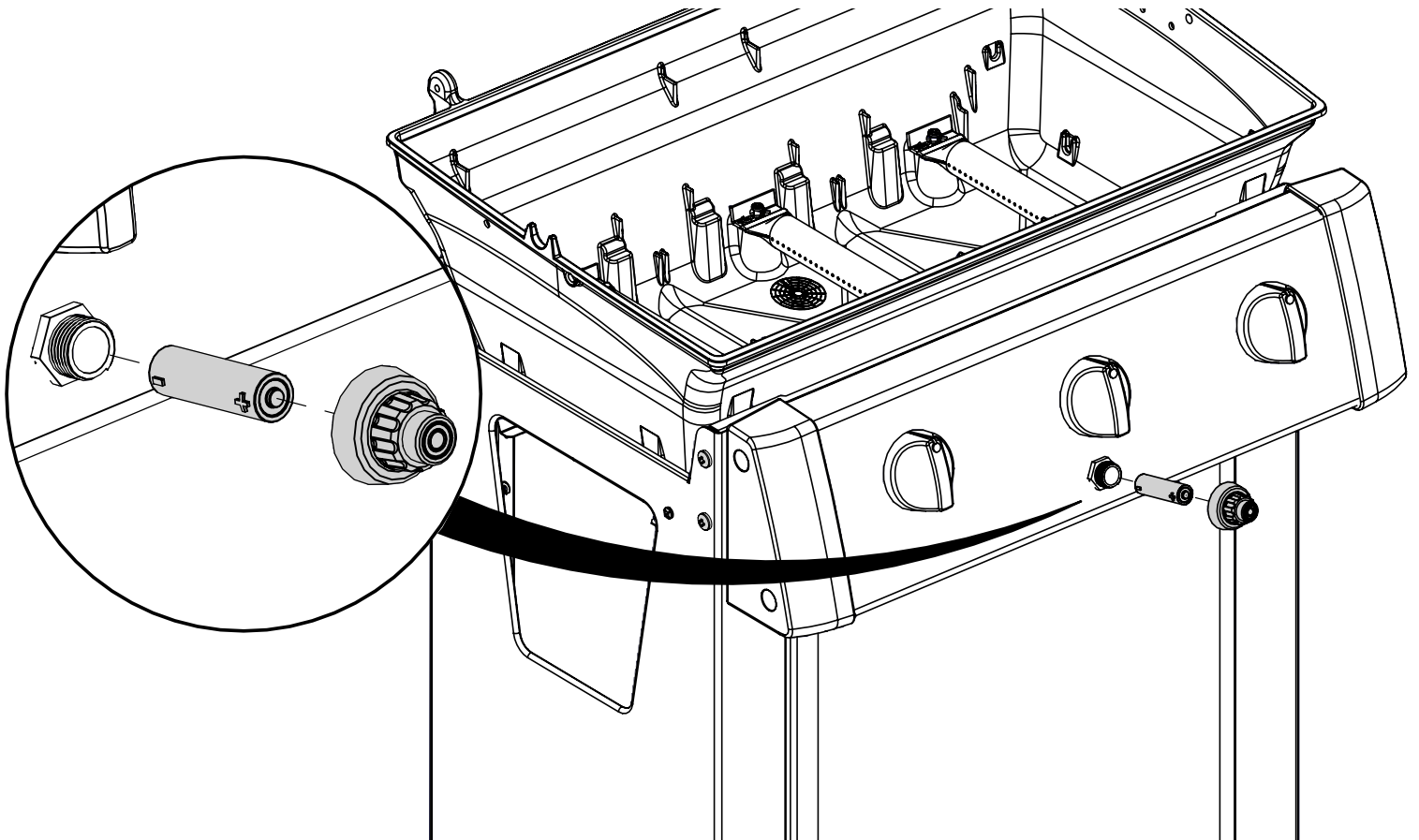
(10)  (4) 



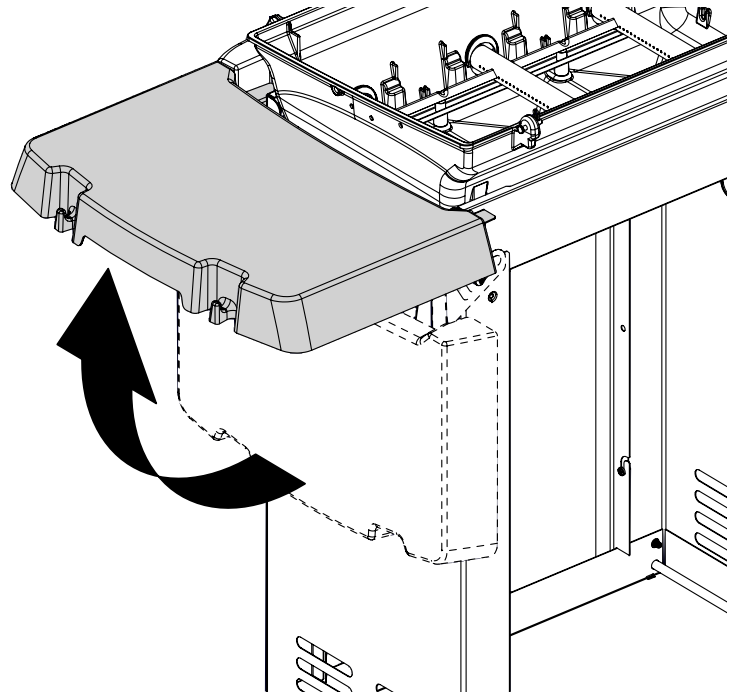
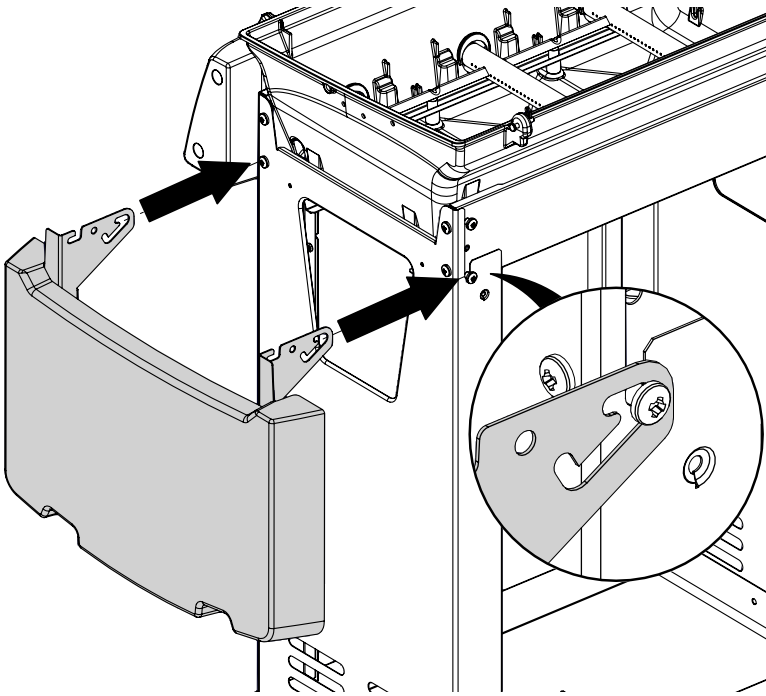
13



14

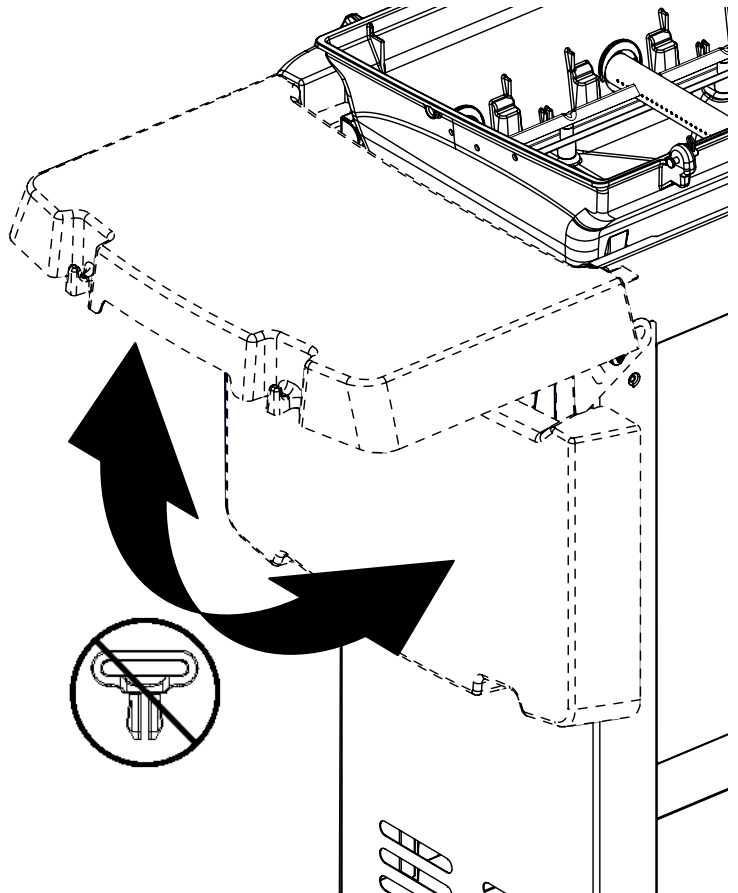
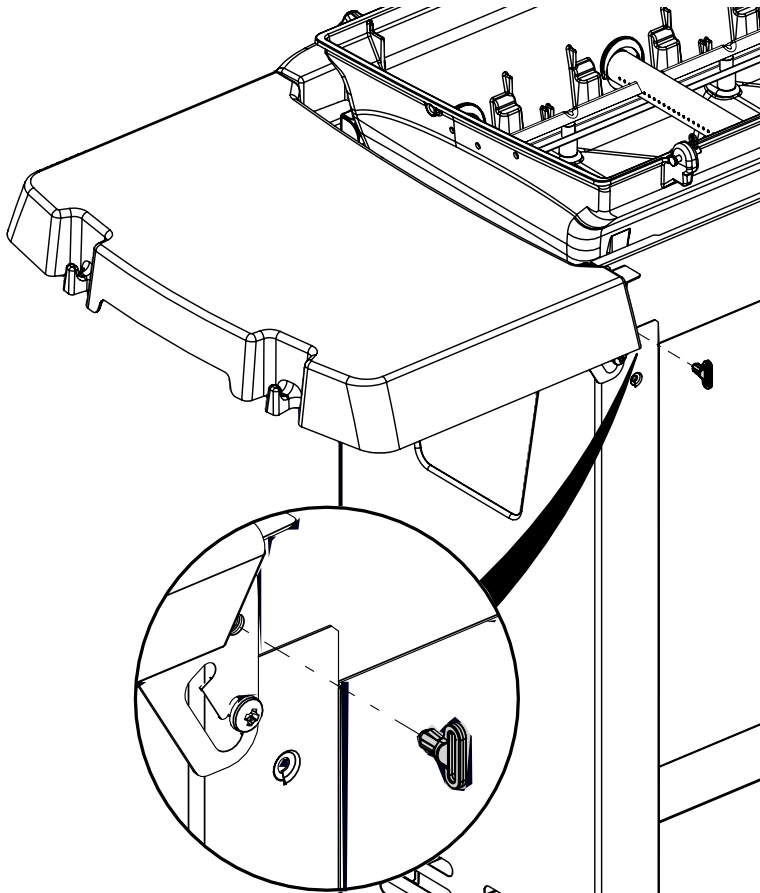
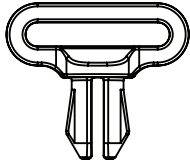


15

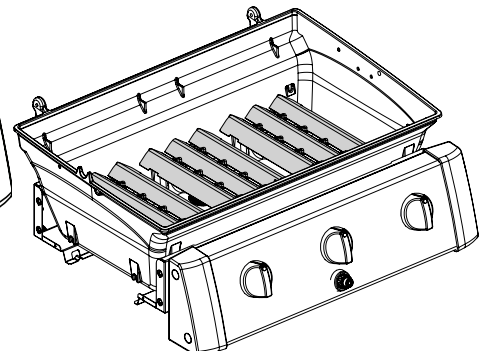
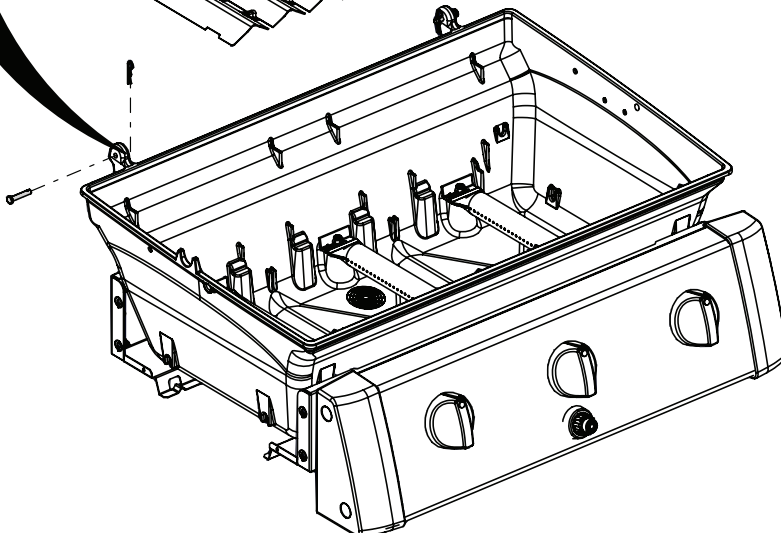
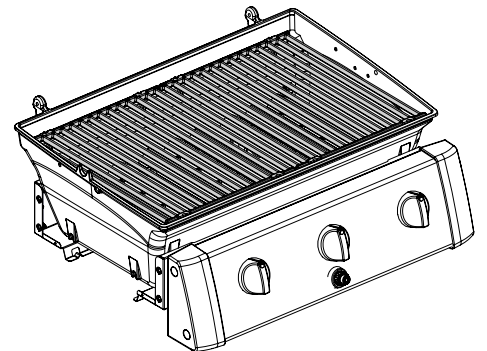
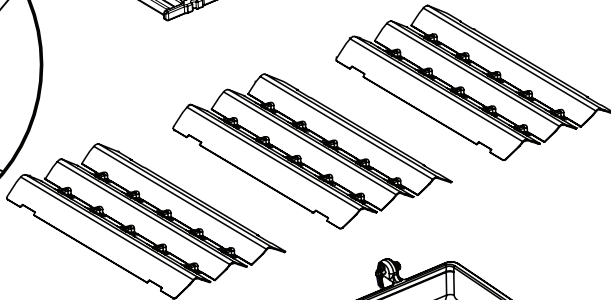
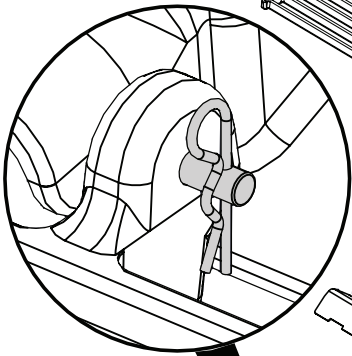
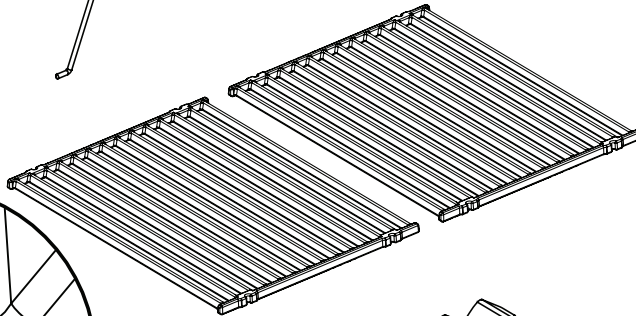
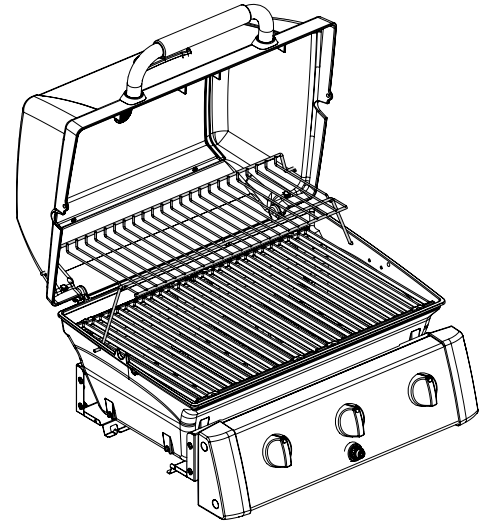
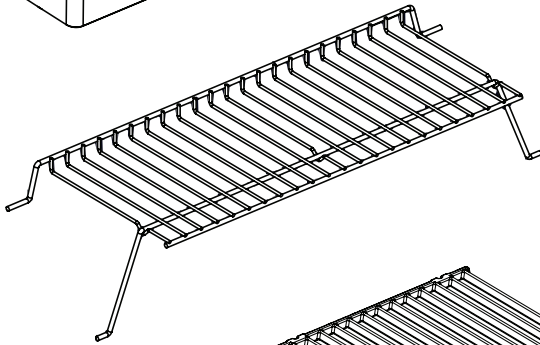
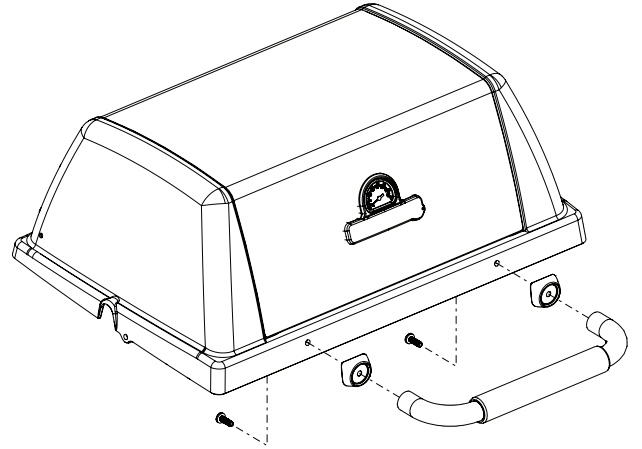
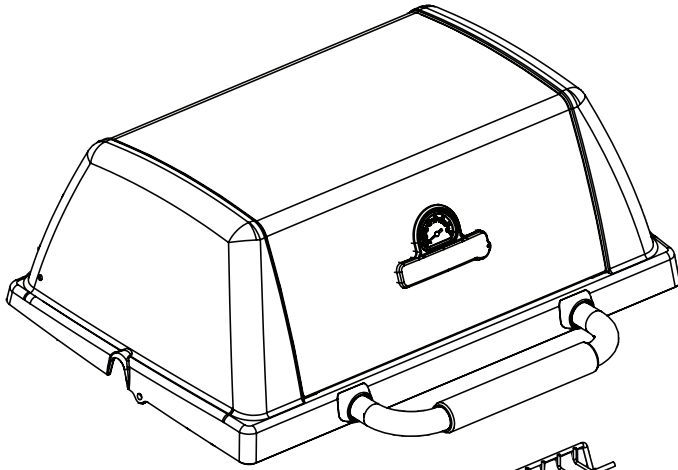
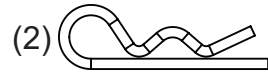
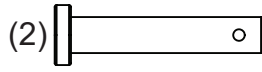
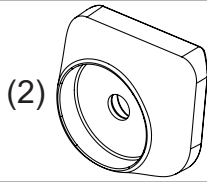
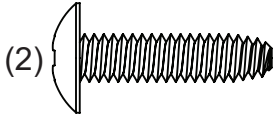


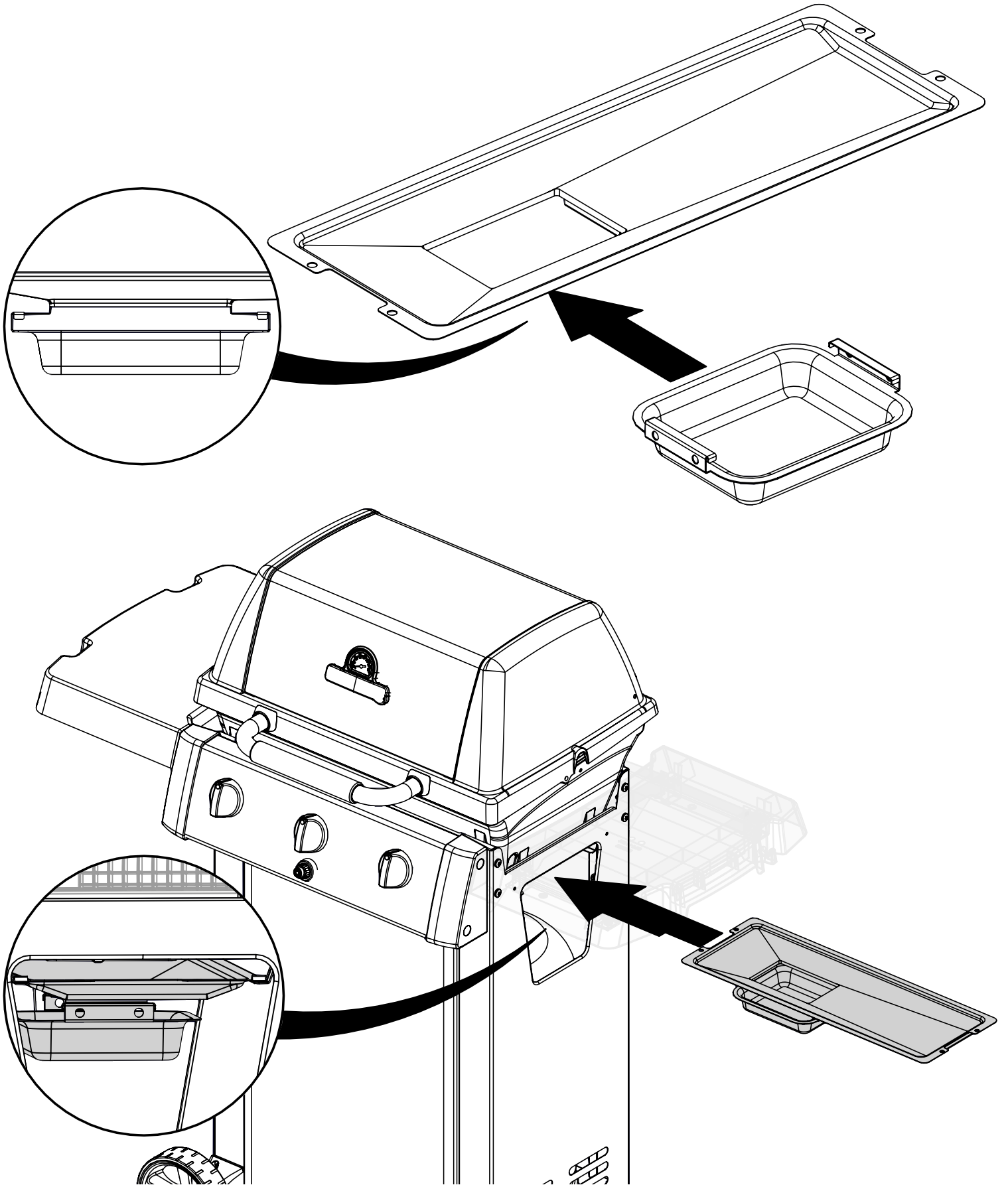
16

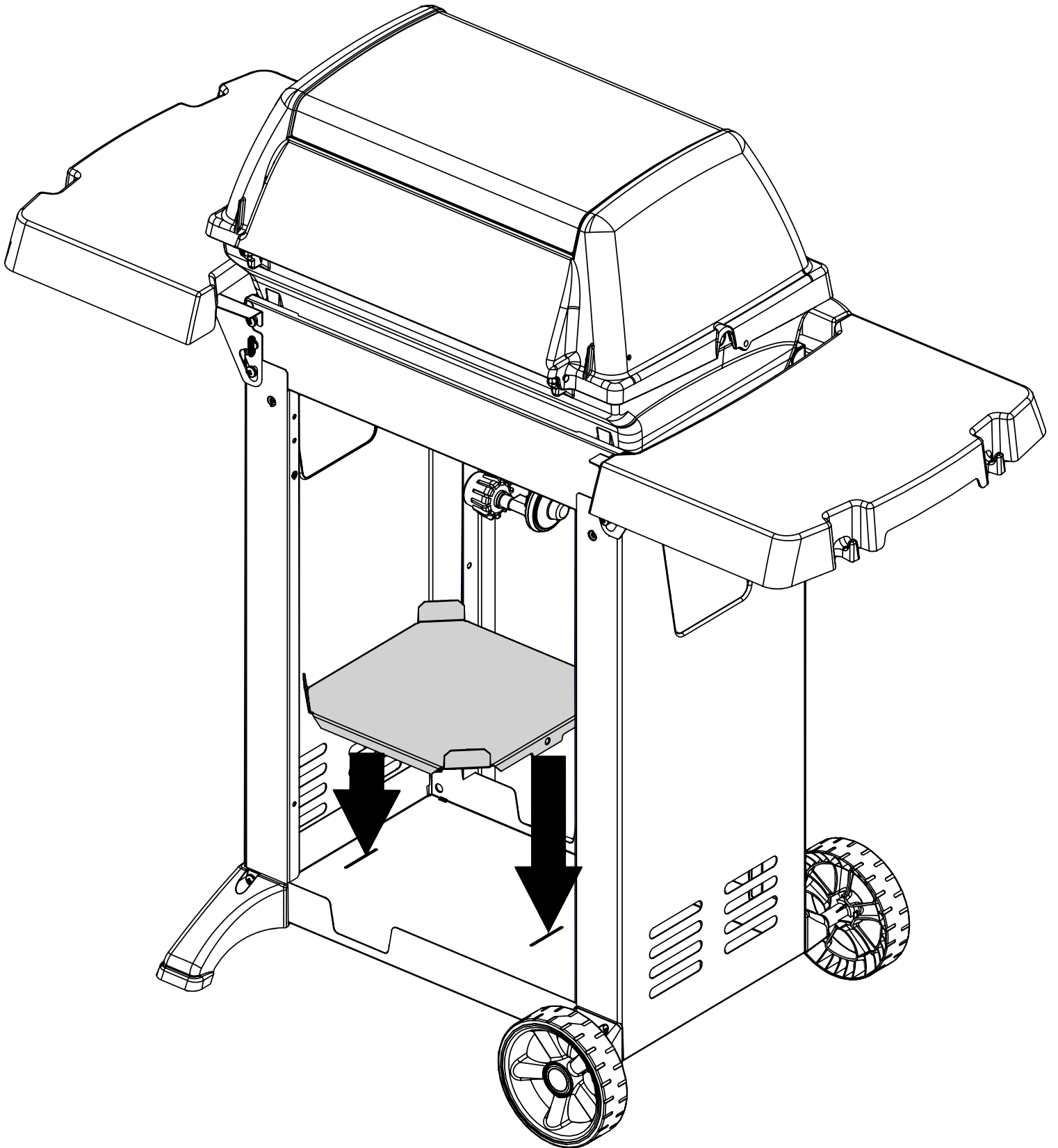
(2)

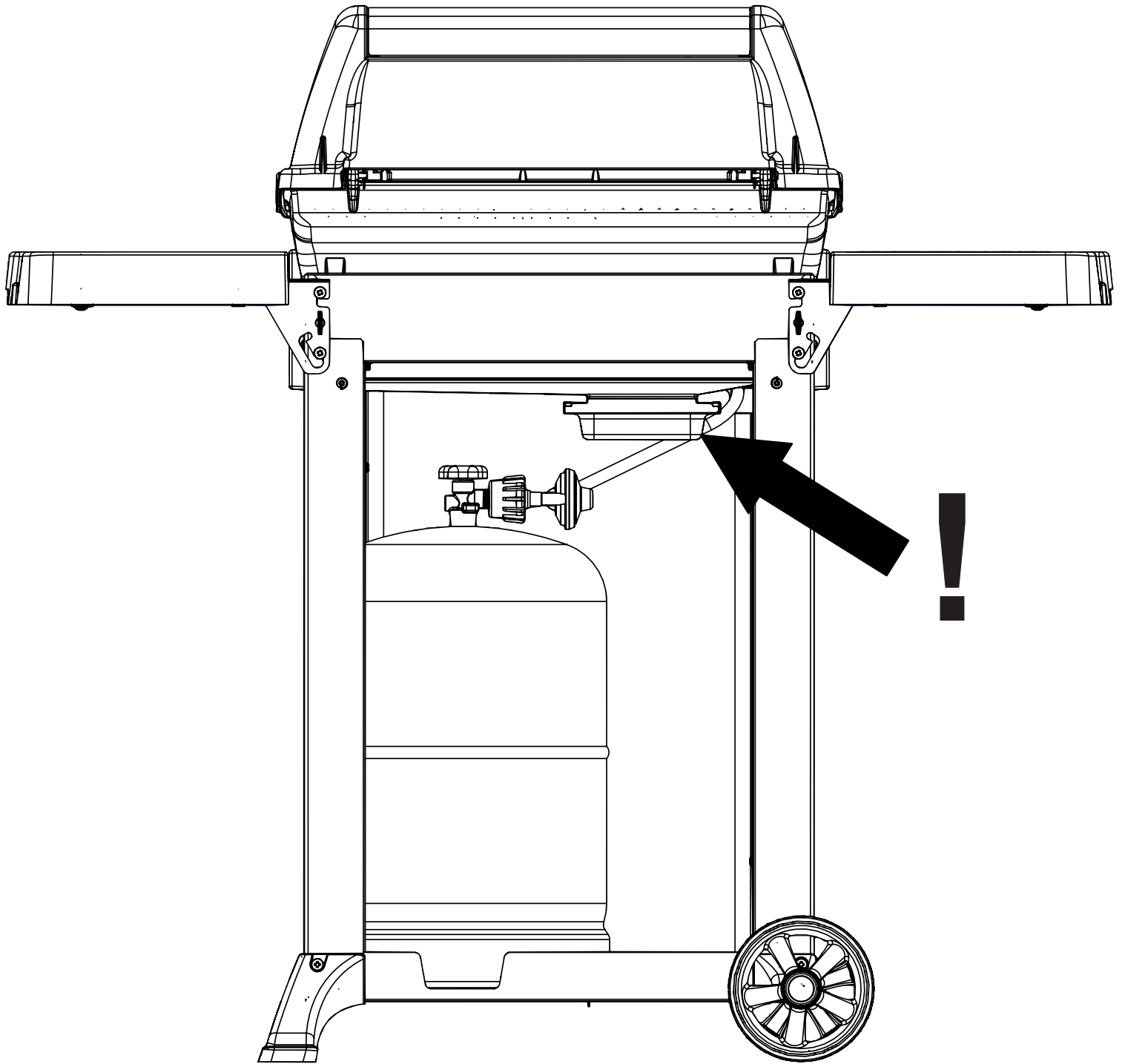


17









PARTS LIST / LISTE DES PIECES

<u>KEY #</u>	<u>ITEM #</u>	<u>DESCRIPTION</u>	<u>8141-52</u>	<u>8141-53</u>	<u>8149-52</u>	<u>8149-53</u>
1	10909-E33	CASTING BOTTOM	1	1	1	1
2	10473-E33	CASTING TOP	1	1	1	1
3	10081-BK530	NAMEPLATE	1	1	1	1
4	10958-E336A	LID INSERT PANEL	1	1	1	1
5	10571-5	HEAT INDICATOR	1	1	1	1
6	32300112	HINGE PIN	2	2	2	2
7	S21233	HINGE PIN CLIP	2	2	2	2
8	Y-11544S	SCREW - BURNER	3	3	3	3
9	10225-T207	GRID - PORCELAIN	2	2	2	2
10	10222-E304	FLAV-R-WAVE	3	3	3	3
11	10225-E330	GRID - WARMING RACK	1	1	1	1
12	S21242	BURNER CLIP	3	3	3	3
15	10390-E30	BURNER	3	3	3	3
17	10342-245	IGNITOR	1	1	1	1
18	10342-E12	ELECTRODE	2	2	2	2
19	52014-903	COLLECTOR BOX	1	1	1	1
21	39004-012	CONTROL ASSEMBLY	1	•	1	•
	39004-013	CONTROL ASSEMBLY	•	1	•	1
23	52001-291A	CONTROL KNOB	3	3	•	•
	52001-E226		•	•	3	3
30	10194-E228	CONTROL COVER	1	1	1	1
31	10711-E19	EDGE CAP - LEFT	1	1	1	1
32	10711-E18	EDGE CAP - RIGHT	1	1	1	1
33	10184-F37	HEAT SHIELD	1	1	1	1
35	10184-F3211	BRACKET - LEFT	1	1	1	1
36	10184-F3311	BRACKET - RIGHT	1	1	1	1
37	10184-E3611	SHELF BRACKET - LEFT	2	2	2	2
38	10184-E3711	SHELF BRACKET - RIGHT	2	2	2	2
39	10956-F3211	BRACE-REAR	1	1	1	1
40	10711-E3611R	BASE	1	1	1	1
40A	10184-E2911	TANK BRACKET	1	1	1	1
41	10956-F3111	BRACE-FRONT	1	1	1	1
42	10958-F336	FRONT PANEL	1	1	1	1
43	10958-F3011	SIDE PANEL	2	2	2	2
50	10711-F30	SHELF - SIDE	2	2	2	2
56	10892-608	WHEEL	2	2	2	2
58	34000-336	HANDLE BEZEL	2	2	2	2
70	10958-F28	WHEEL SPACER - LEFT	1	1	1	1
71	10958-F29	WHEEL SPACER - RIGHT	1	1	1	1
72	S21420	PUSH NUT	2	2	2	2
73	32001-152	HUB CAP	2	2	•	•
	32001-151		•	•	2	2
75	31106-13A	HANDLE	1	1	1	1
78	10958-F26	FOOT	1	1	1	1
80	Y-11546	SCREW 1/4-20 X 5/8	8	8	8	8
81	Y-12310	SCREW 1/4-20 X 3/4	4	4	4	4
82	Y-12673	SHELF - LOCK PIN	2	2	2	2
83	Y-12865	SCREW 1/4-20 X 1/2	8	8	8	8
84	S15174	AXLE	1	1	1	1
85	Y-12855	SCREW 1/4-20 X 3/8	18	18	18	18
96	S21125	SCREW #8 X 3/8	4	4	4	4
98	S21124	SCREW #8 X 1/2	4	4	4	4
115	Y-29307	NUT #10-24	2	2	2	2
116	Y-29304	SCREW #10-24 X 3/8	4	4	4	4
122	57154-901	GREASE TRAY	1	1	1	1
123	52009-901	GREASE PAN	1	1	1	1
141	Y-12860	SCREW 1/4-20 X 1	2	2	2	2
159	S21136	SCREW #8-32 X 3/8	3	3	3	3

