



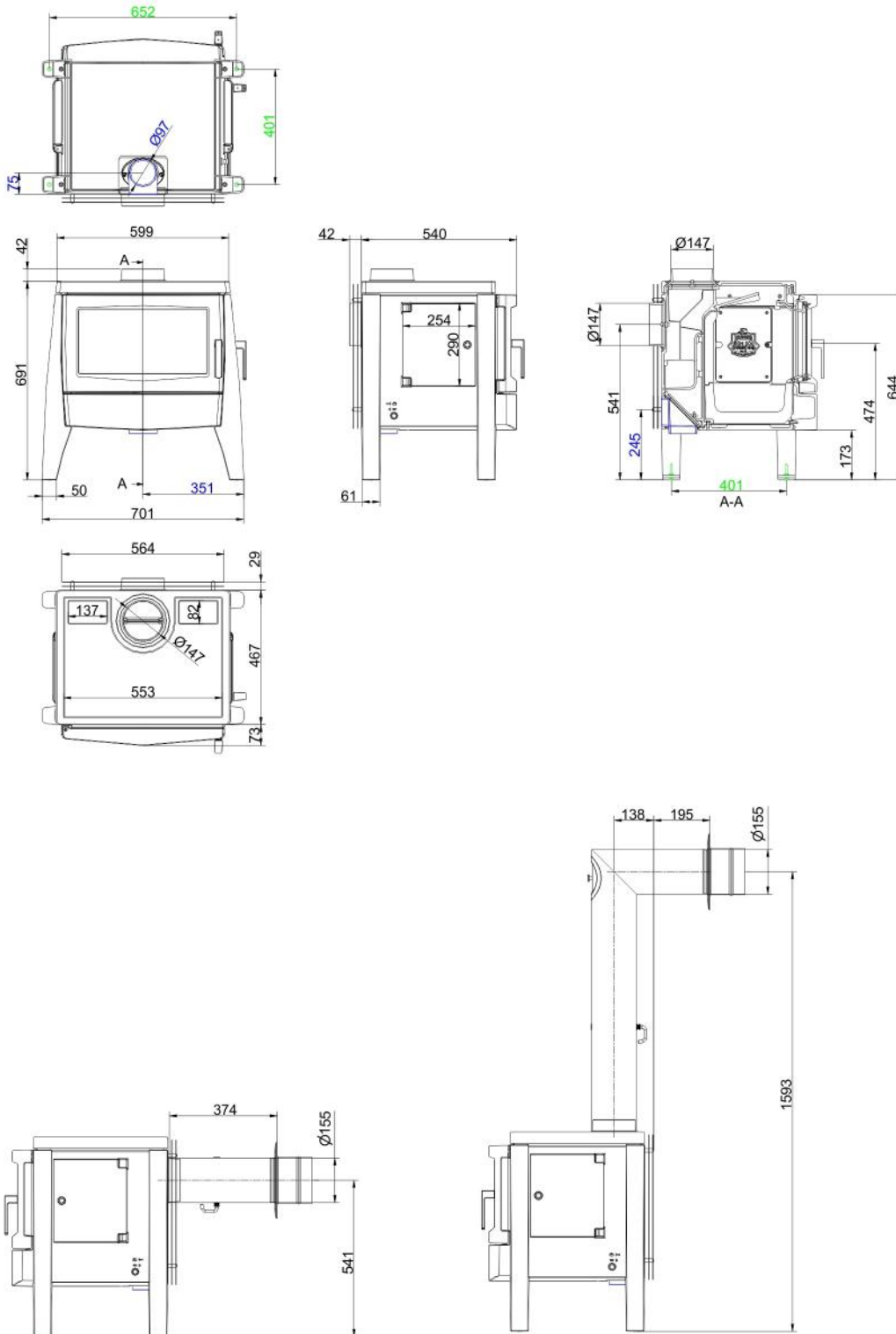
iron dog 07

State: 2024-05-16



BRUNNER[®]
made in germany.

Dimension sheets - iron dog 07



... with horizontal smoke pipe connection kit L form

We suggest for CAD planning Palette CAD. Permanent updated drawings: www.brunner.de
 Frames/ flue gas outlet connection/ combustion air supply connection/ front variants/ support bearing are marked in color.

Planning and installation - iron dog 07

Tested according to		EN 13240
Data for functional demonstration		
Rated heat power	kW	7
Fire wood volume	kg/h	2.2
Flue gas mass flow	g/s	6
Outlet temperature	°C	278
Necessary supply pressure	Pa	12
Combustion air consumption	m ³ /h	18
Flue gas pipe connection Ø	mm	150
Combustion air connection Ø	mm	100
Minimal distances ¹⁾		
to the side wall	cm	60
to the back wall	cm	-
to the back wall with stove- heat protective panel	cm	25
to the back wall with stove-and wall heat protective panel	cm	10
to the front	cm	80
Device data		
Dimensions (H x W x D)	mm	690 x 700 x 570
Combustion chamber opening	m ²	0.06
Combustion chamber depth	mm	490
Weight		
Total weight	kg	220
Meets requirement/limit values for:		
Germany/ Austria / Switzerland / Norway		1.BImSchV (Stufe 2) / 15a BVG (2015) / - / -

- 1) The specified safety distances ensure that no temperatures > 85°C are reached on adjacent components and walls. In the case of sensitive objects or furniture, maintain greater distances if necessary. For highly insulated walls (U-value < 0.4 W/m²K), the fire protection distance is increased by 5 cm to the corresponding side or rear wall.