

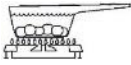
Broil King®



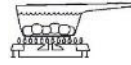
Broil King
BARON 420
8752-52
8752-53



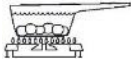
Broil King
BARON S 420
8753-52
8753-53



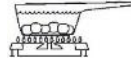
Broil King
BARON 440
8752-62
8752-63



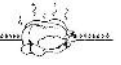
Broil King
BARON S 440
8753-62
8753-63



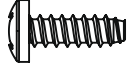
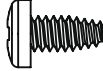
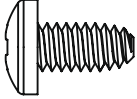

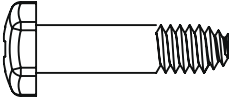

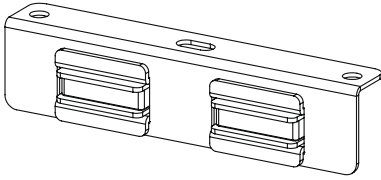
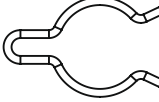
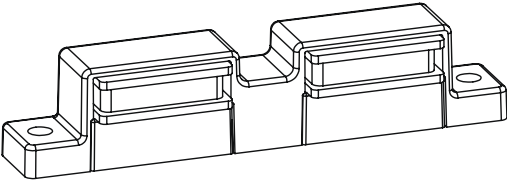
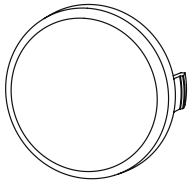
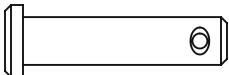


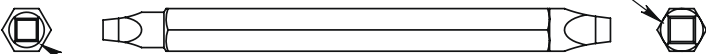
Broil King
BARON 490
8752-82
8752-83
8752-83FRSP
8752-86



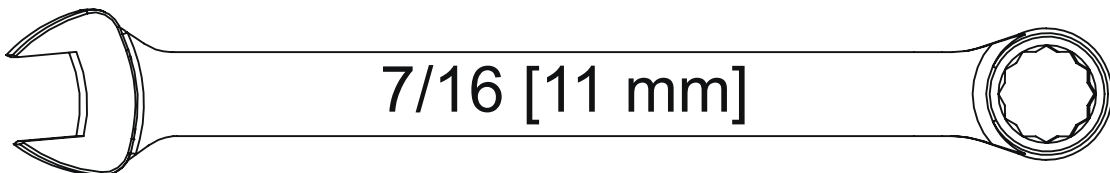
Broil King
BARON S 490
8753-82
8753-83
8753-86



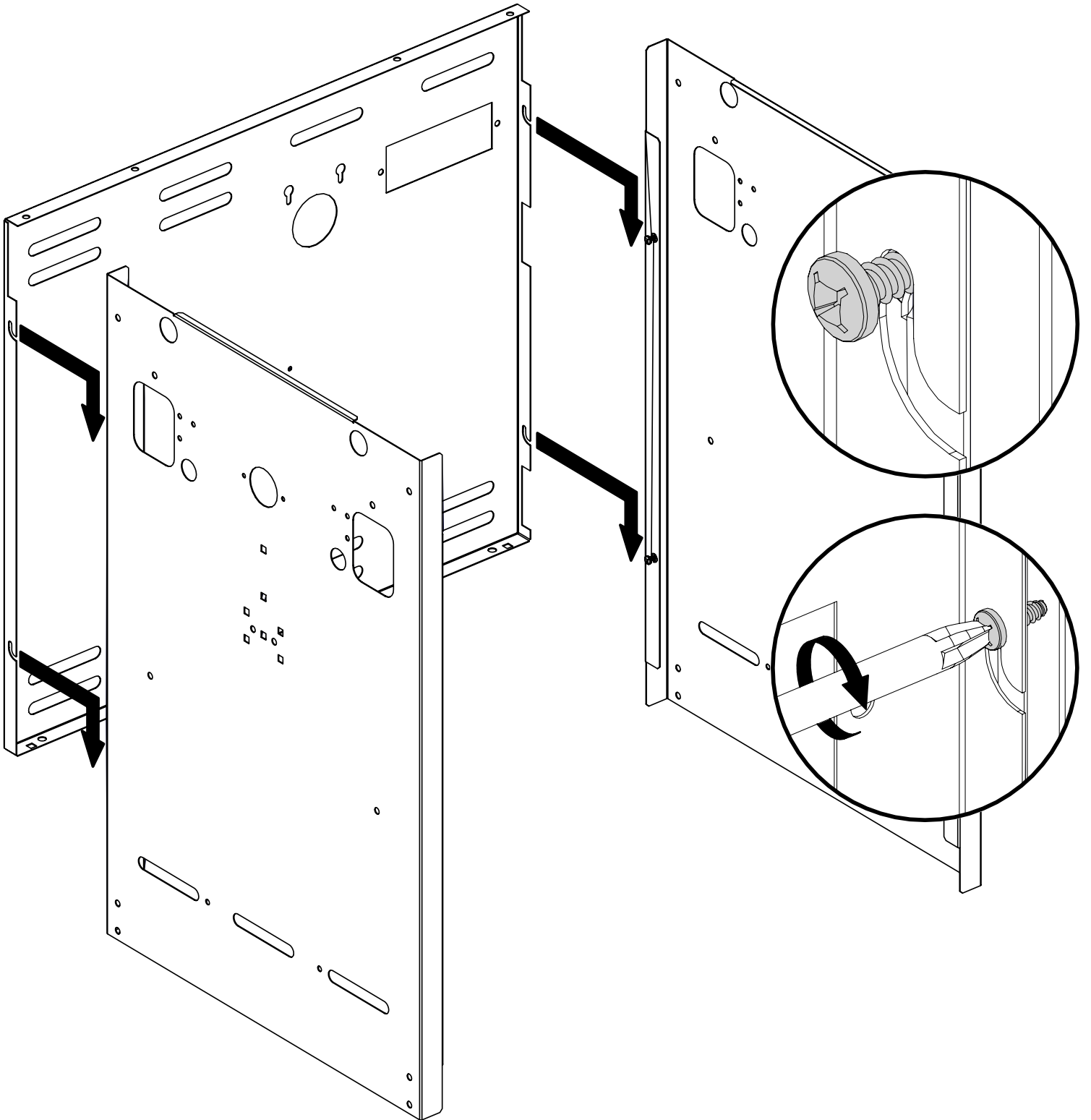
HARDWARE INCLUDED

S21124		(8)	Y-29304		(2)
Y-12865		(26)	Y-11793		(6)
Y-11551		(2)	Y-12124		(2)
56039-211A		(1)	Y-11230		(2)
Y-12229		(1)	32001-151		(4)
S21235		(2)	S21233		(2)
20005-000					(1)
		<p style="text-align: center;">#3 ROBERTSON</p> <p style="text-align: center;">#2 ROBERTSON</p>			

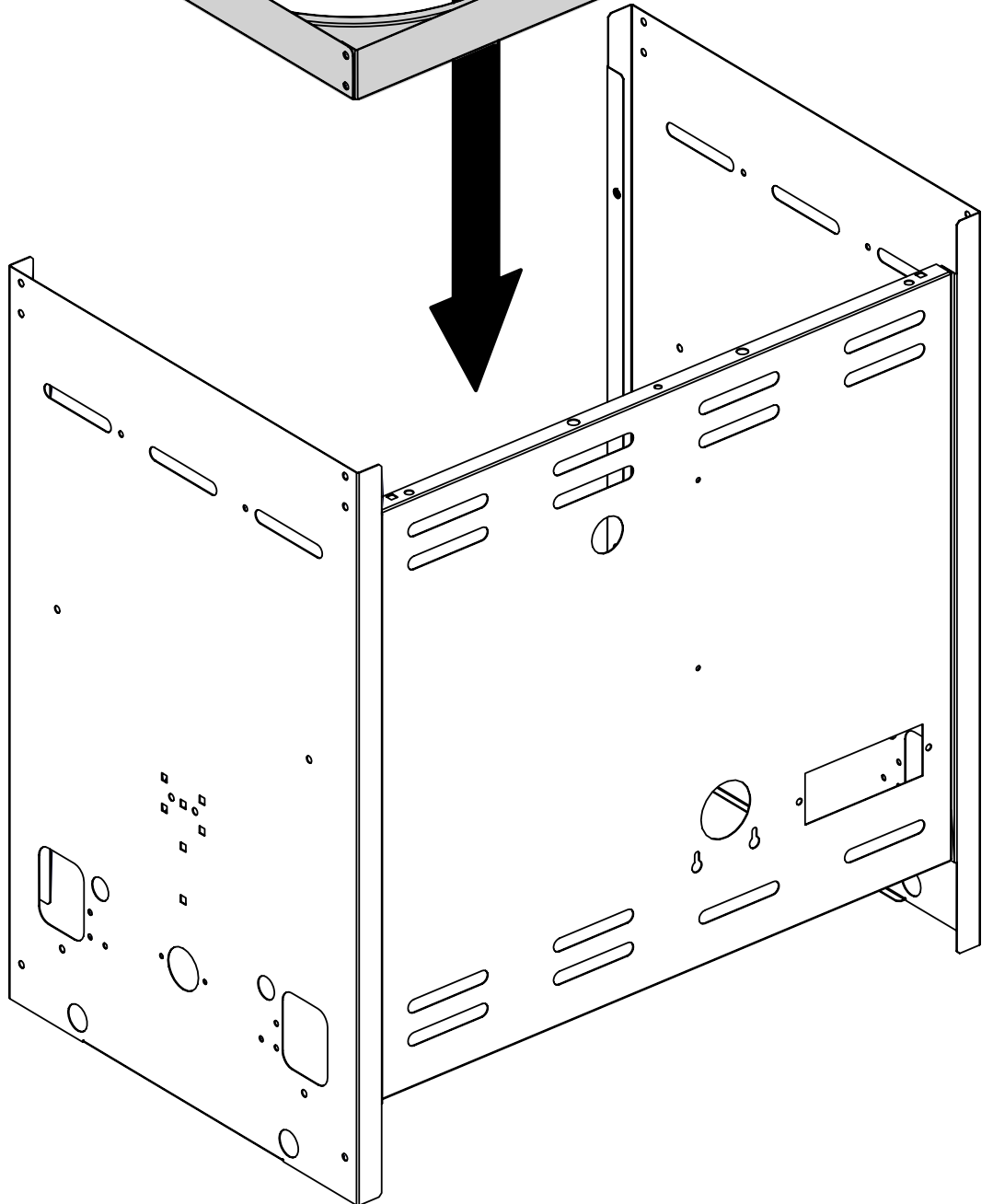
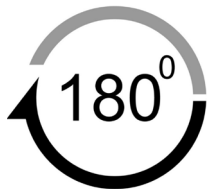
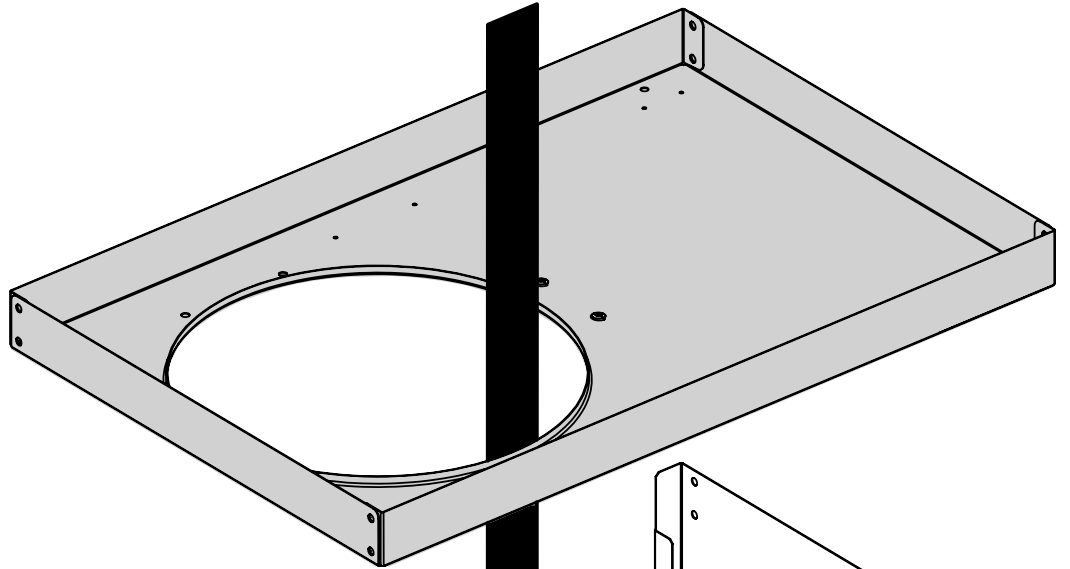
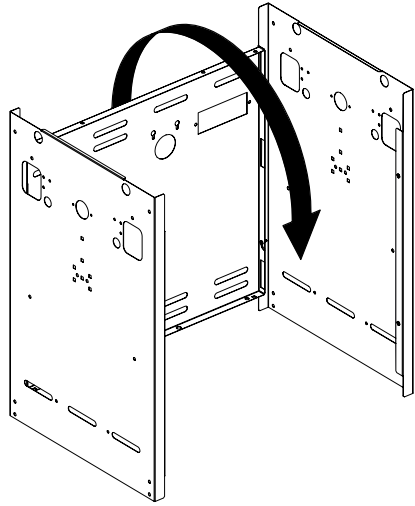
TOOLS REQUIRED




1

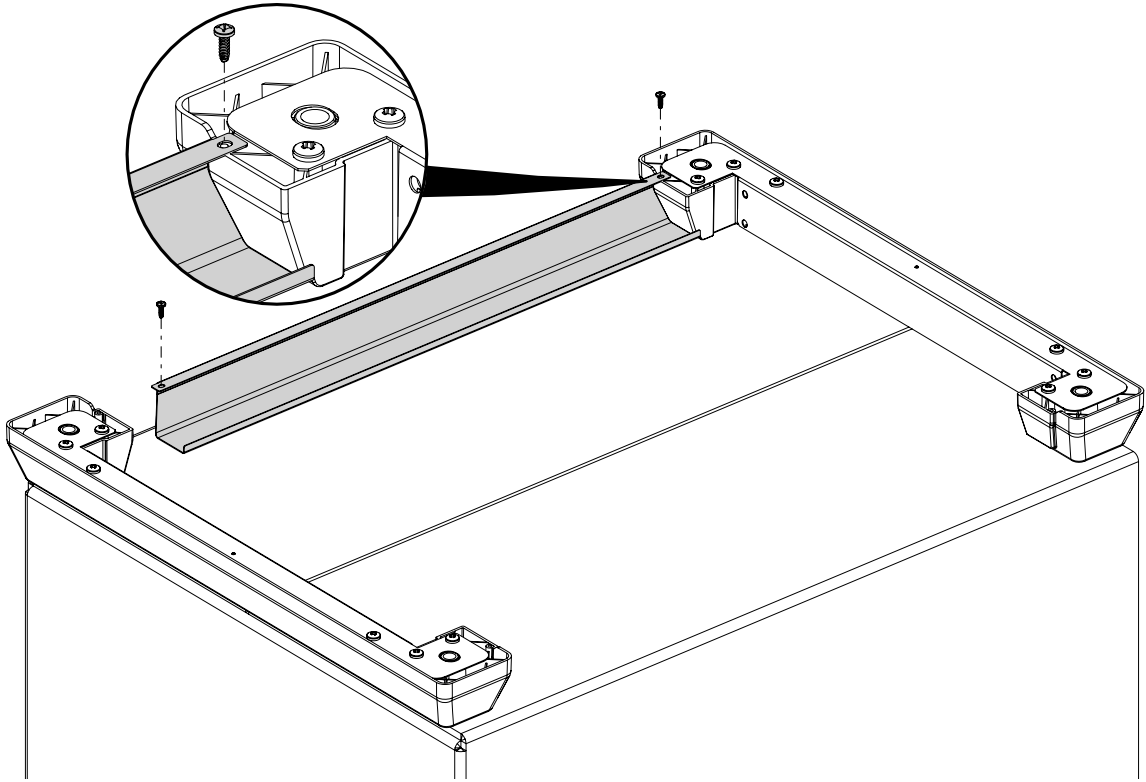


2

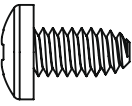


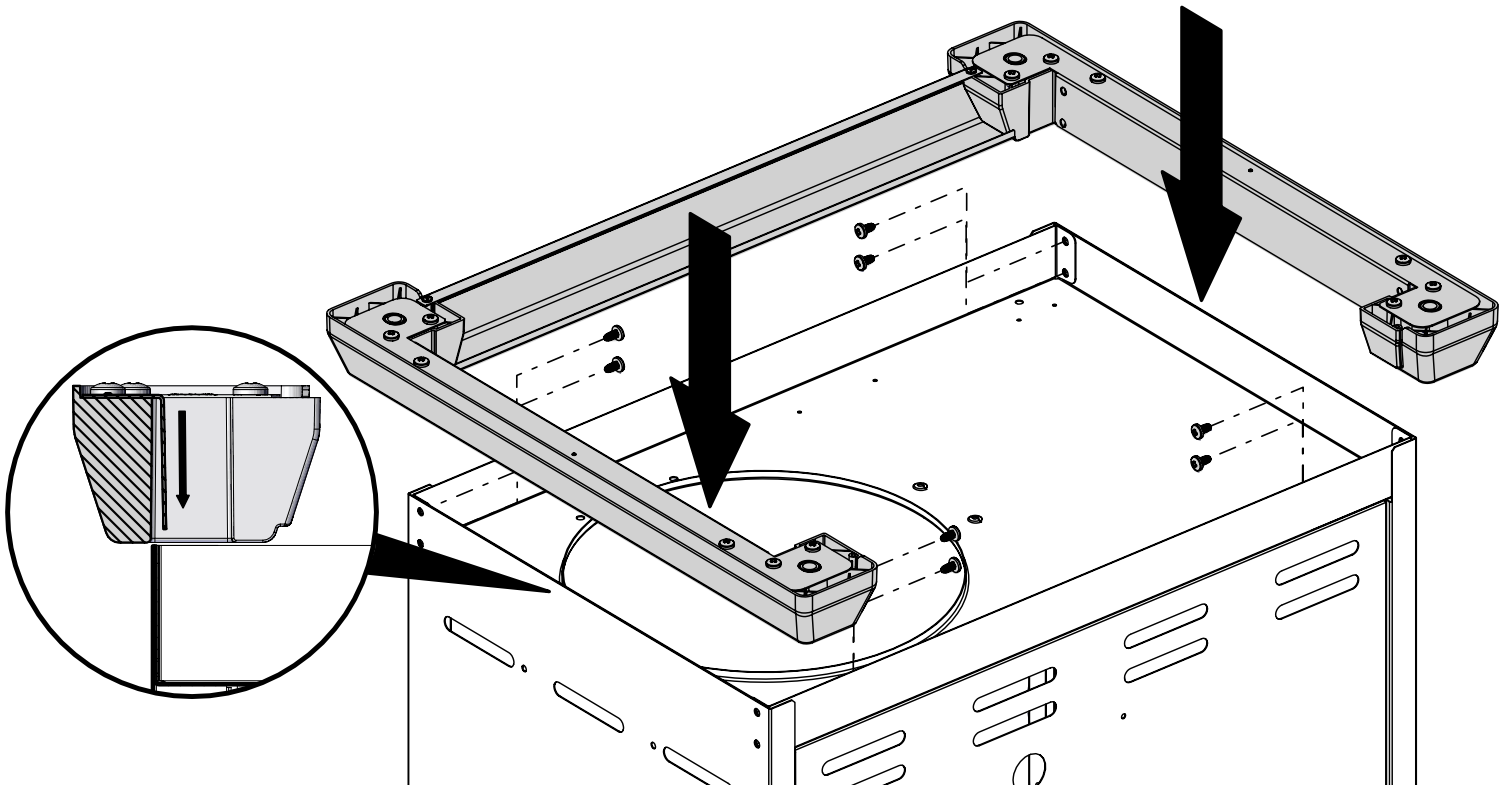
3

(2) 

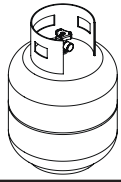


4

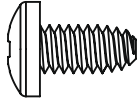
(8) 



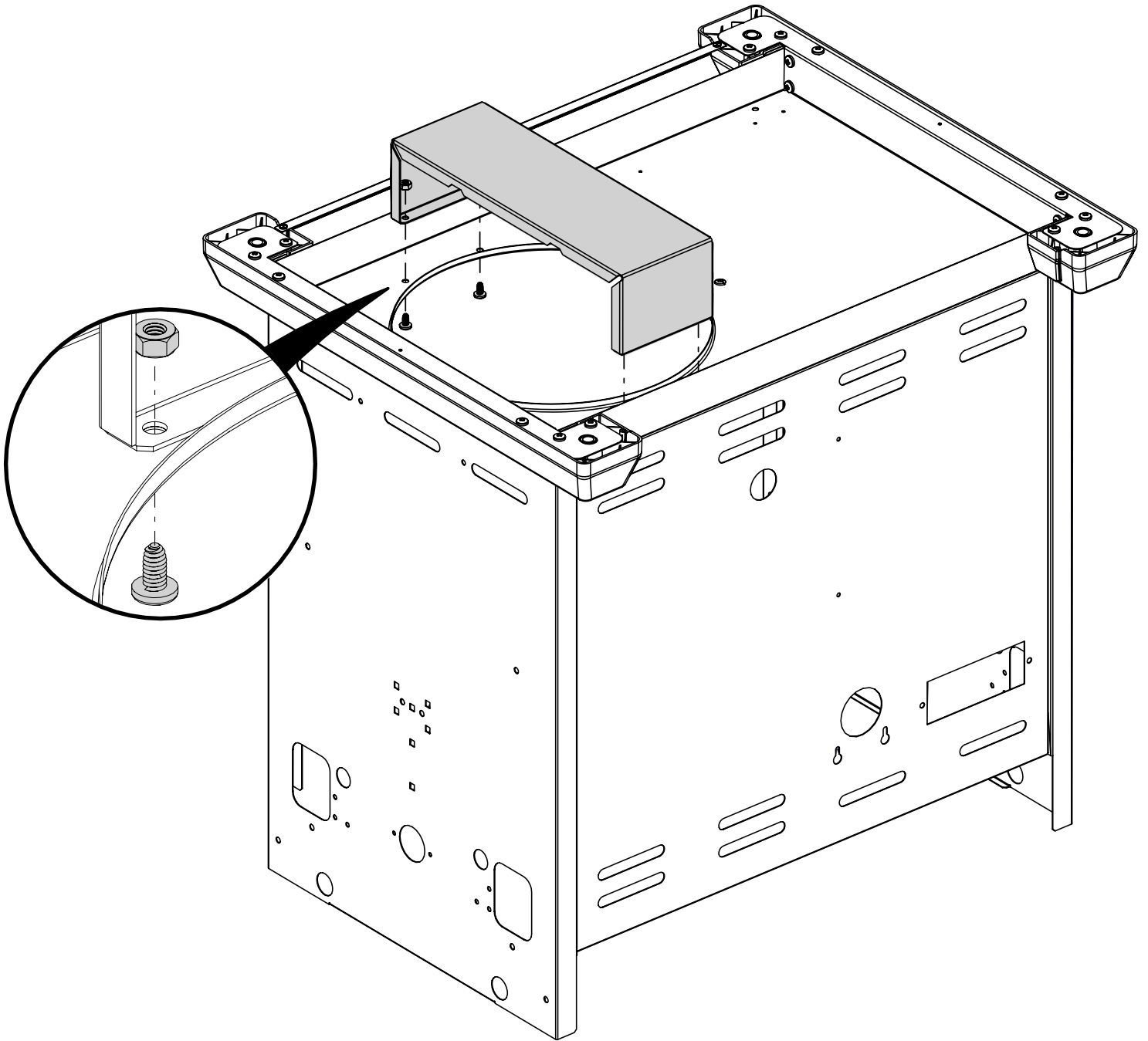
5



(4)

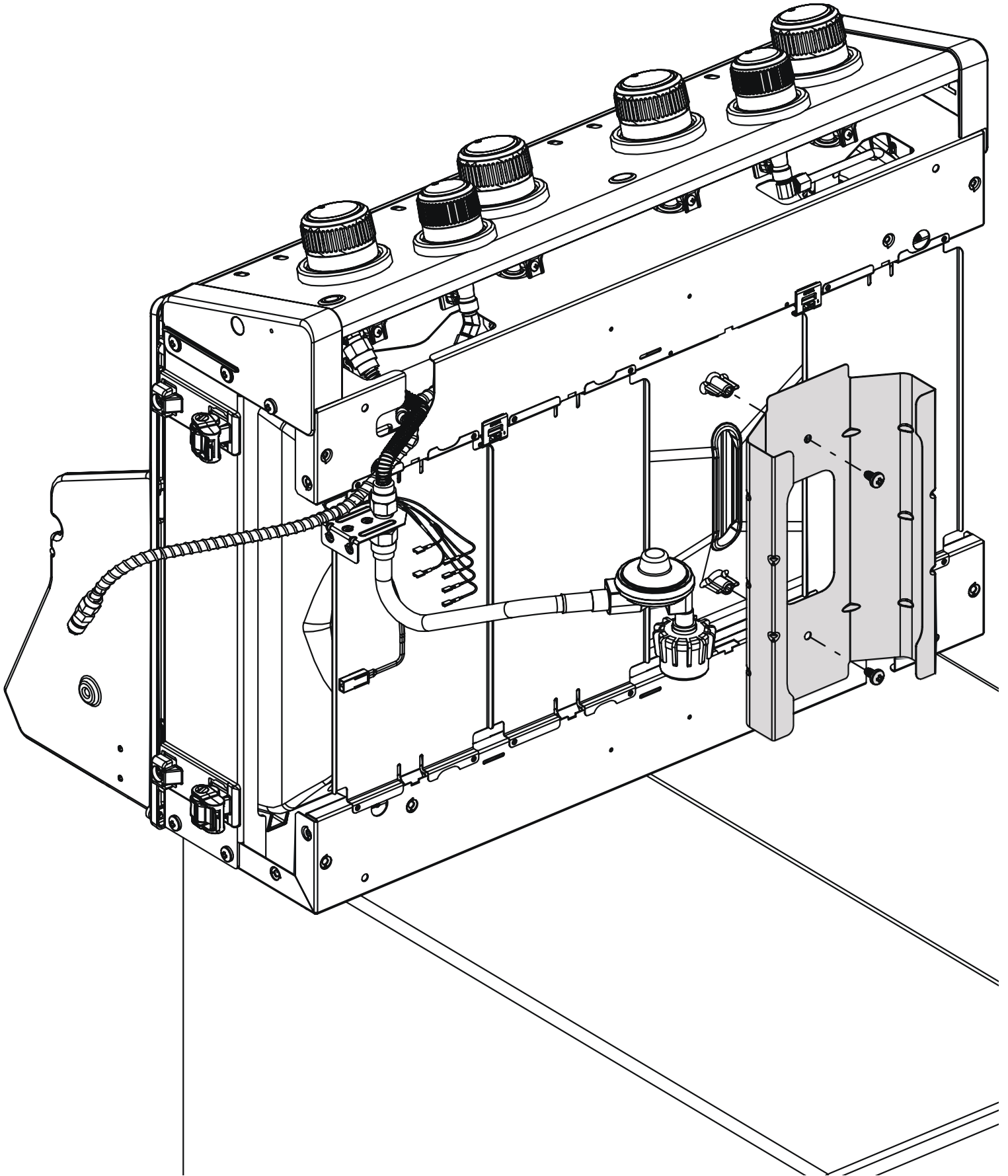
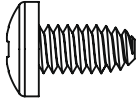


(4)



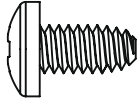
6

(2)

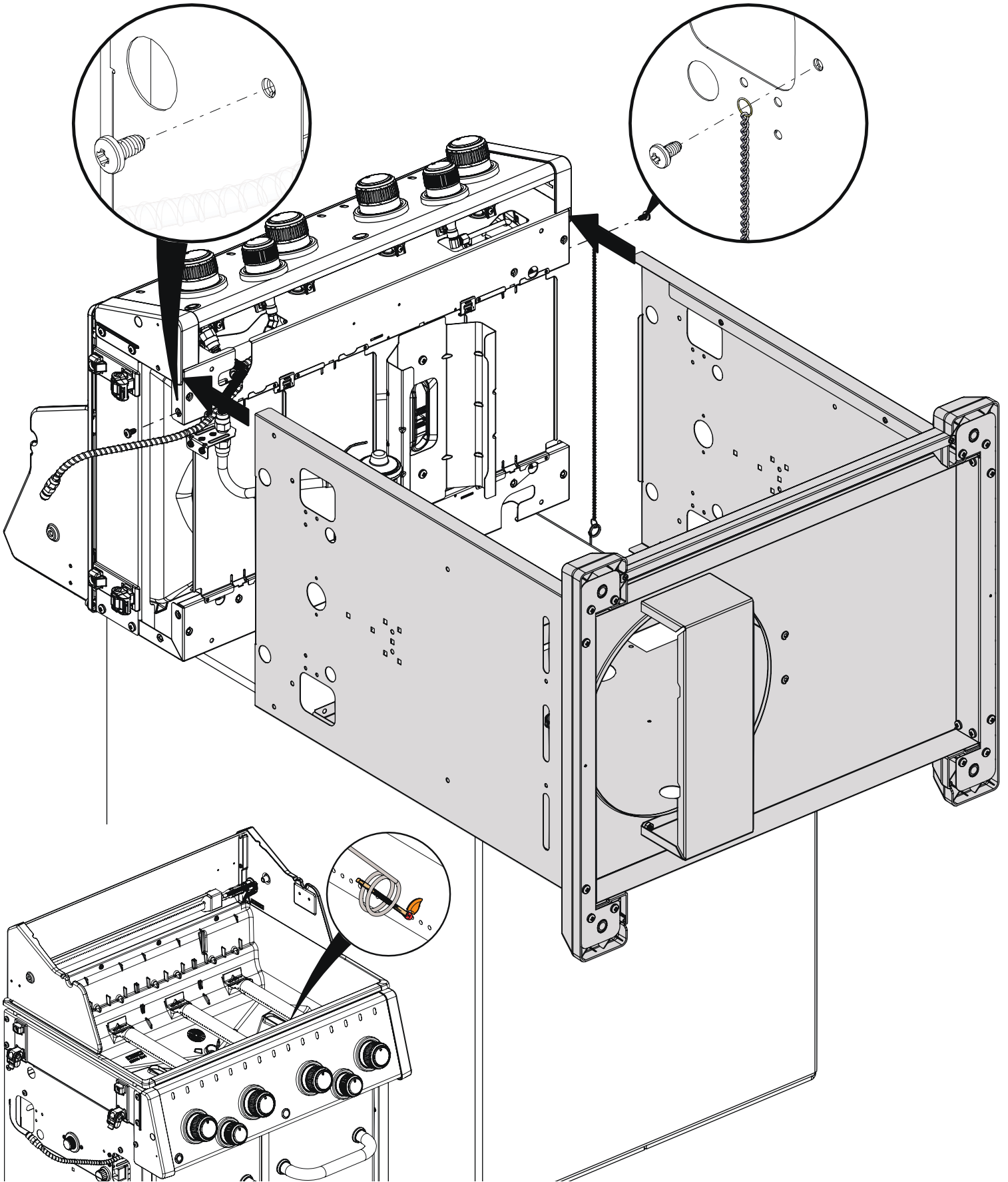


7

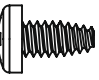
(2)

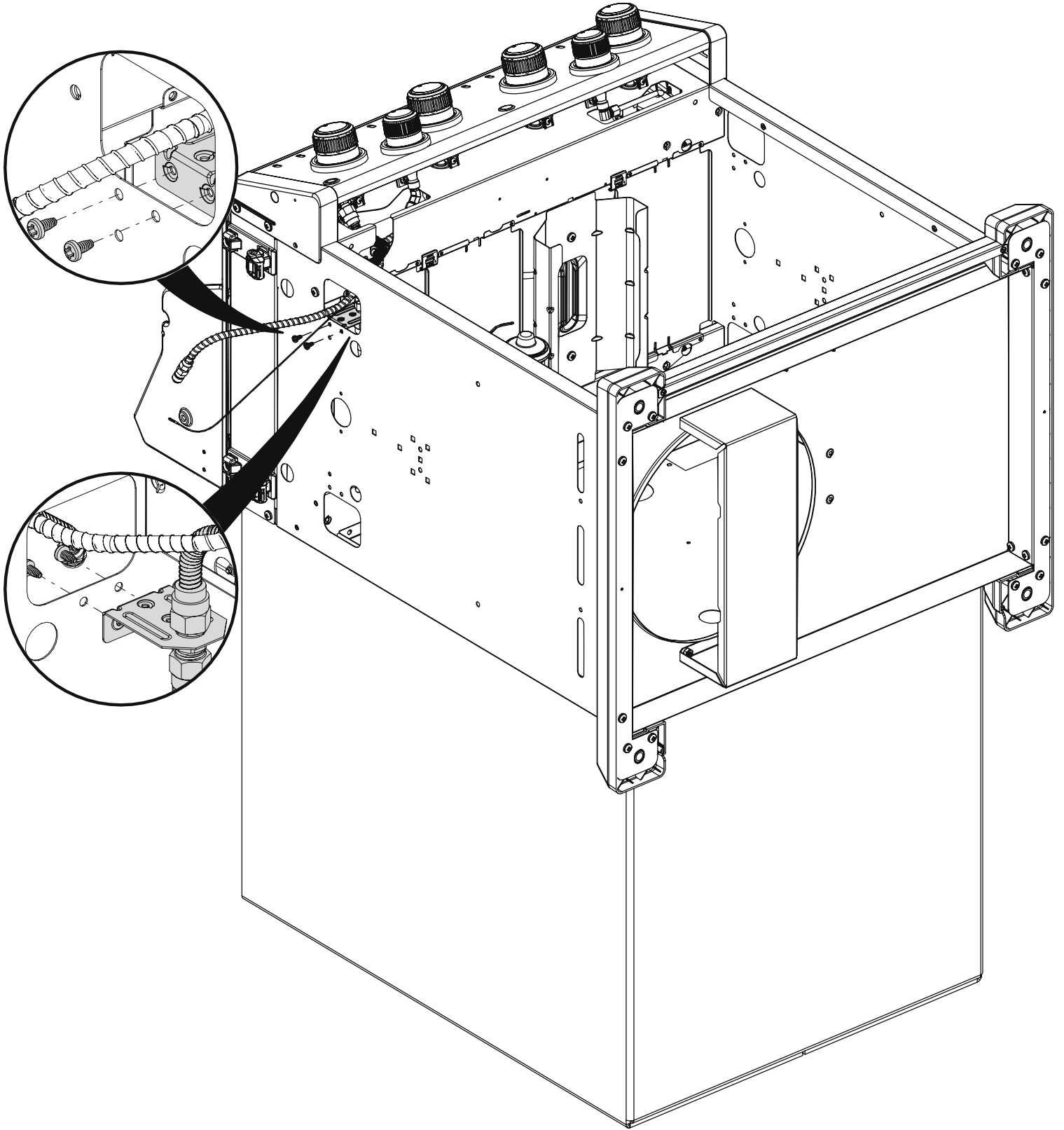


(1)

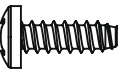


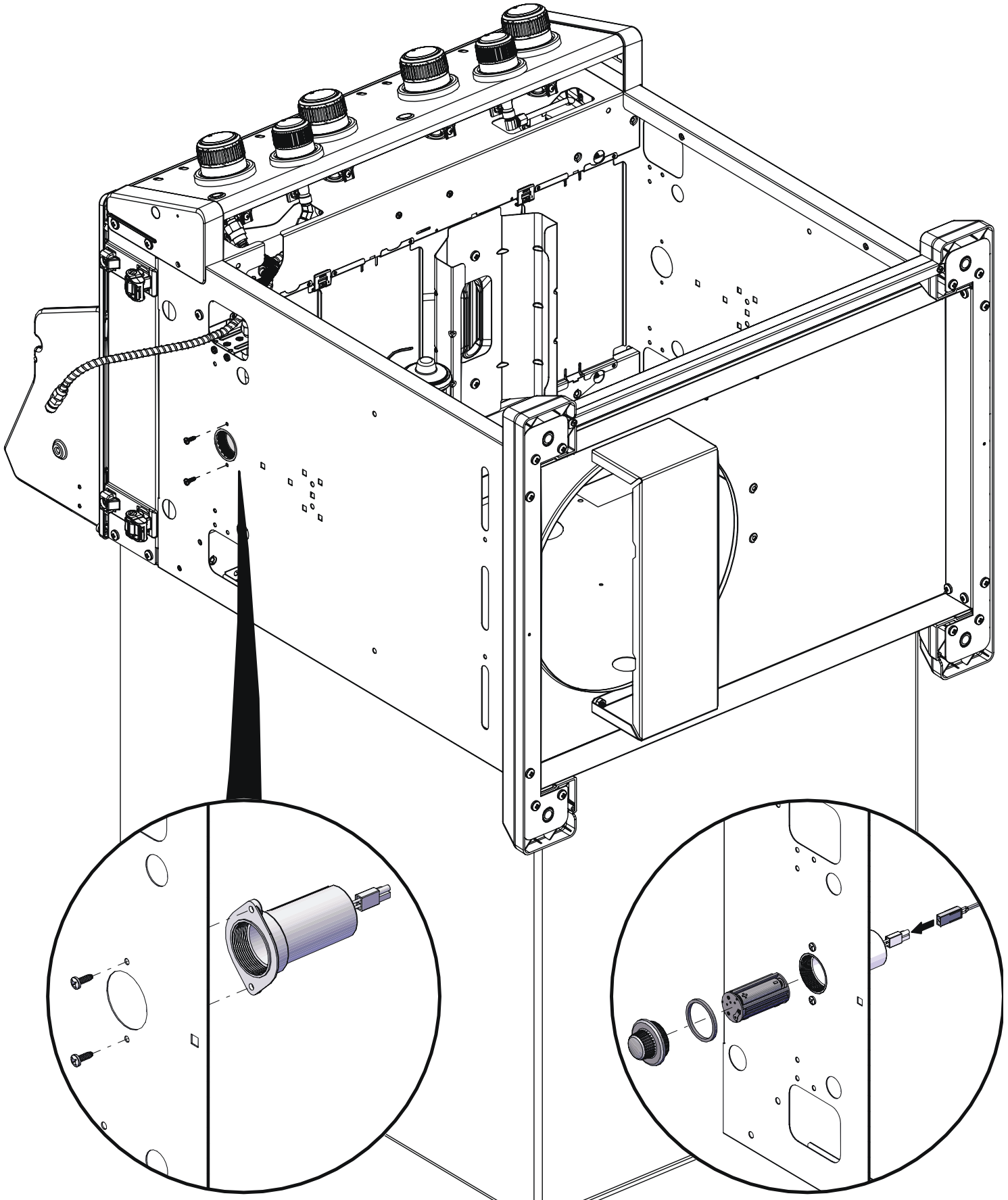
8

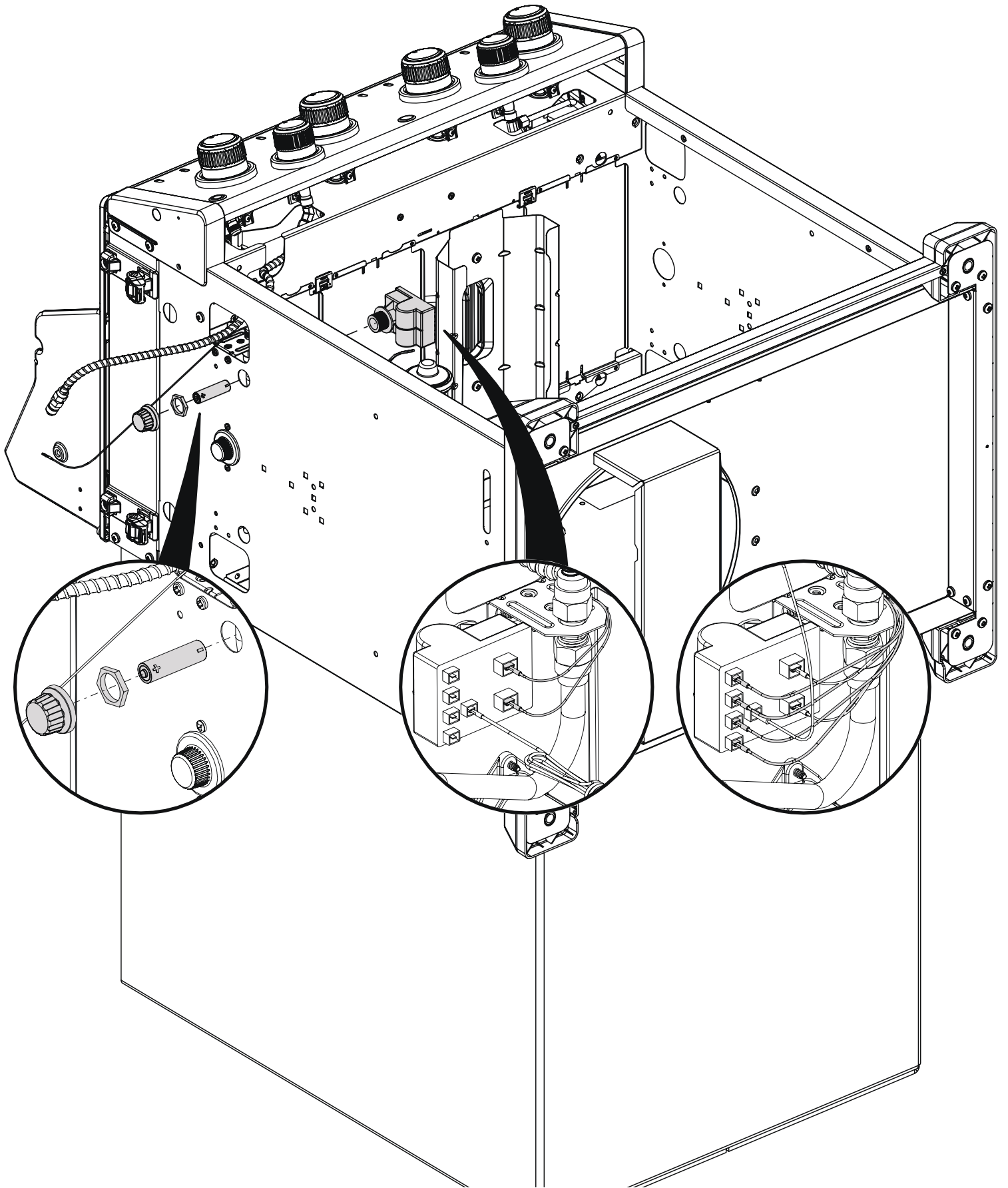
(2) 



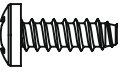
9

(2) 

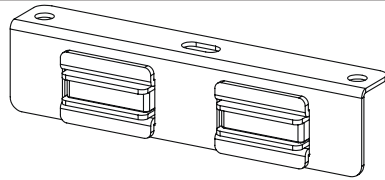




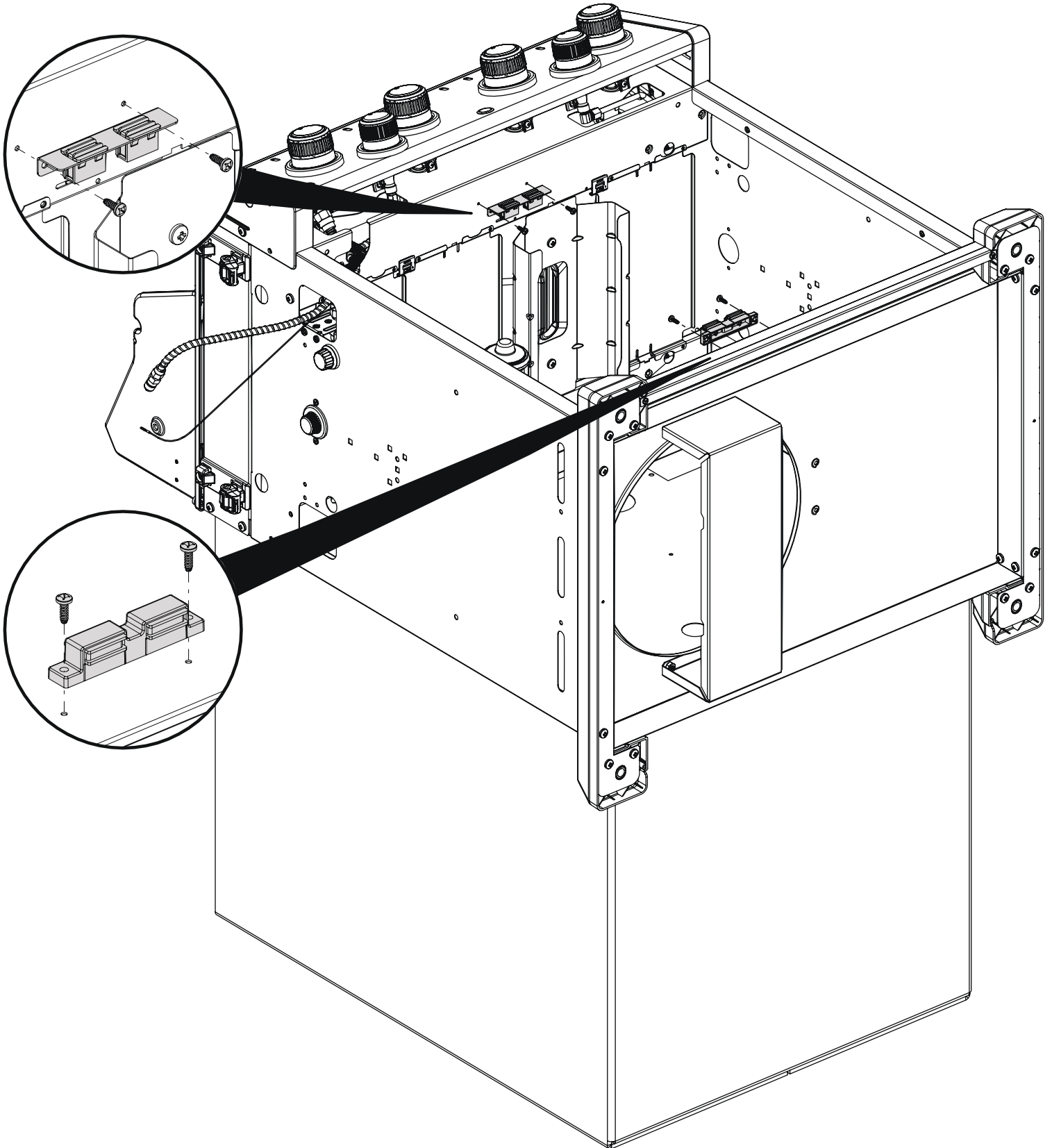
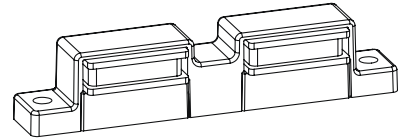
11

(4) 

(1)

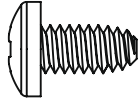


(1)

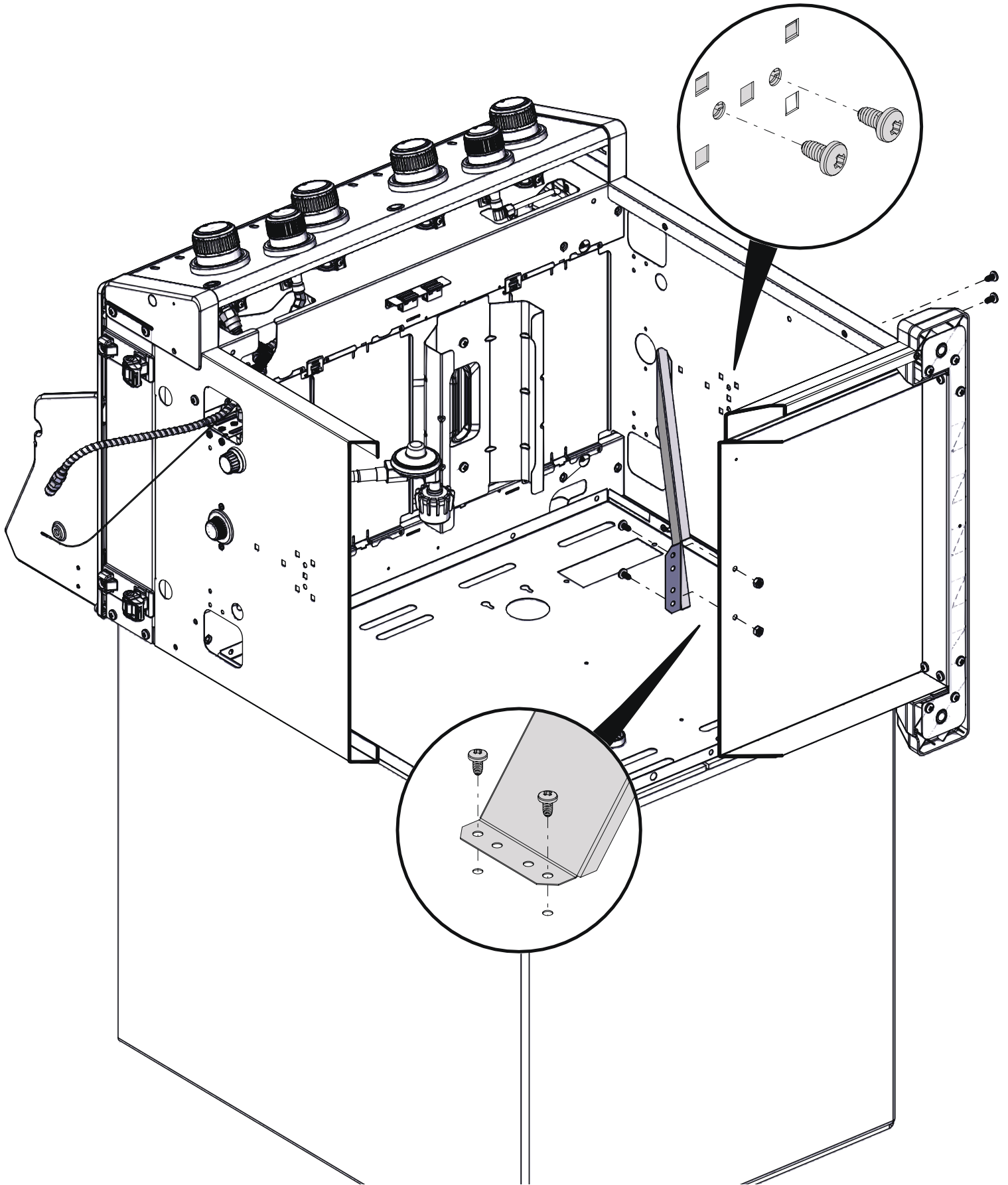


12

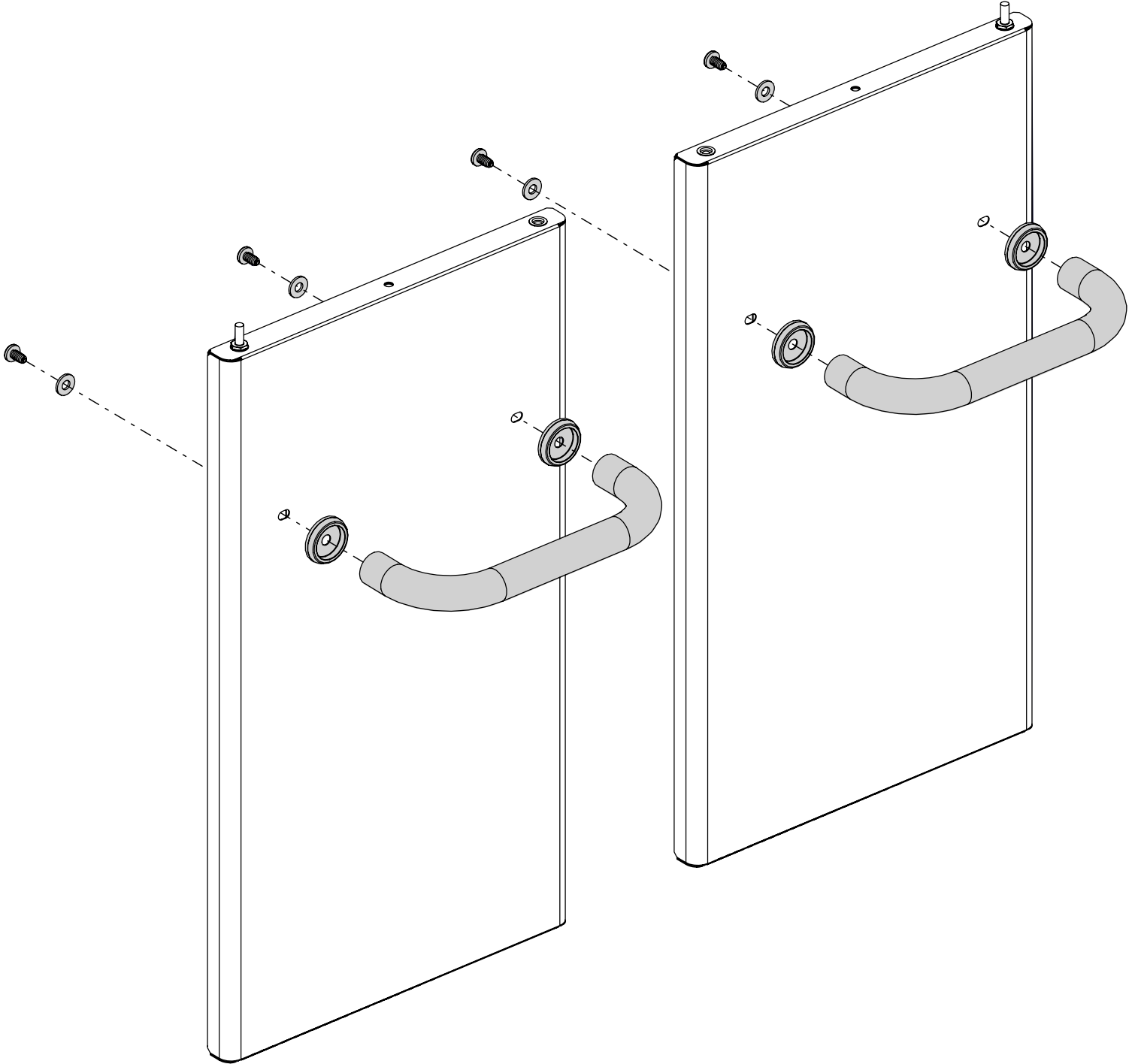
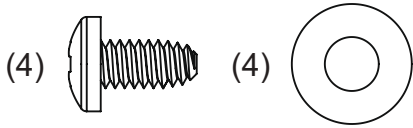
(4)



(2)

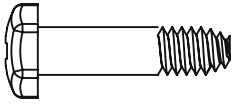


13

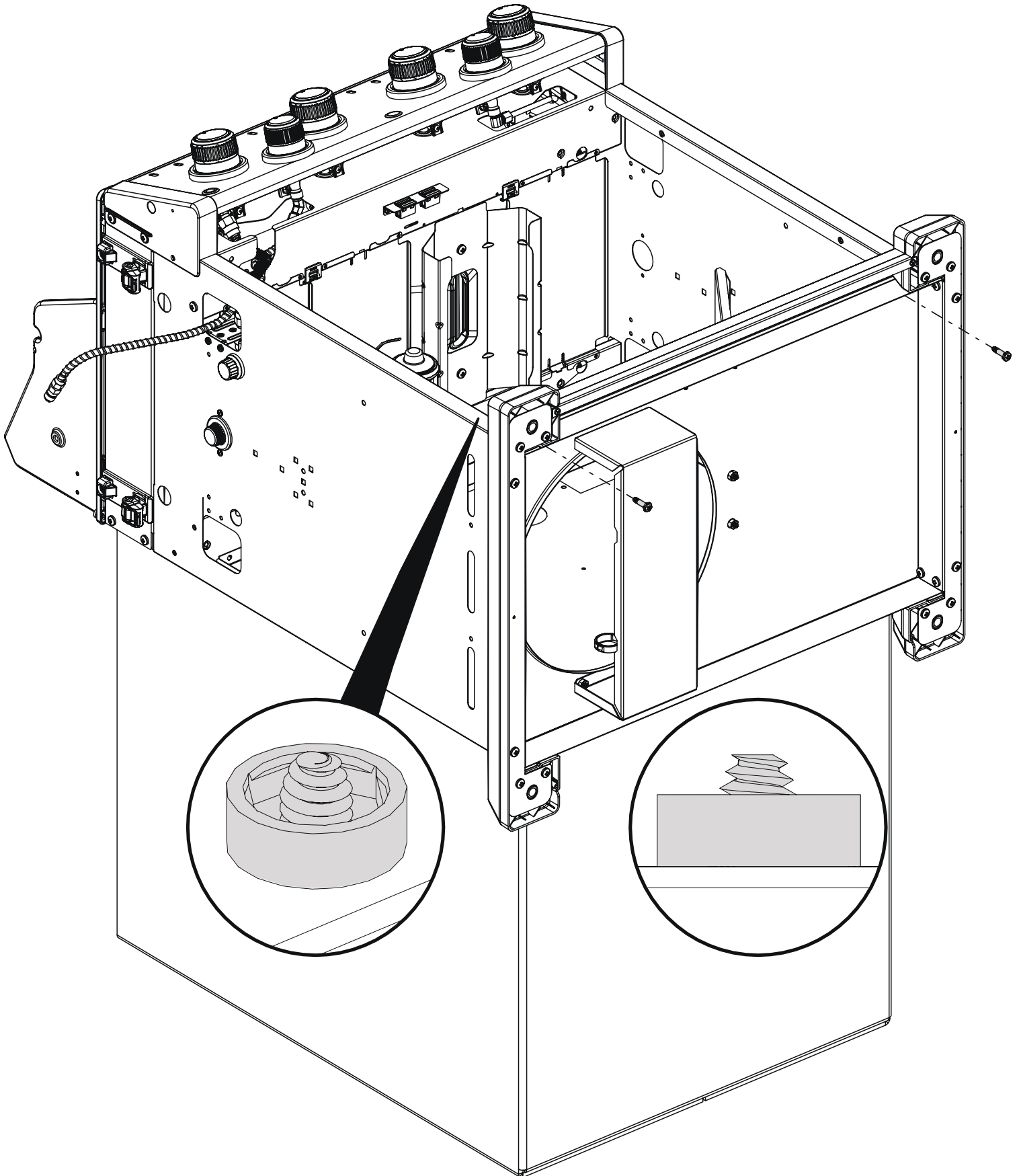
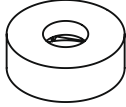


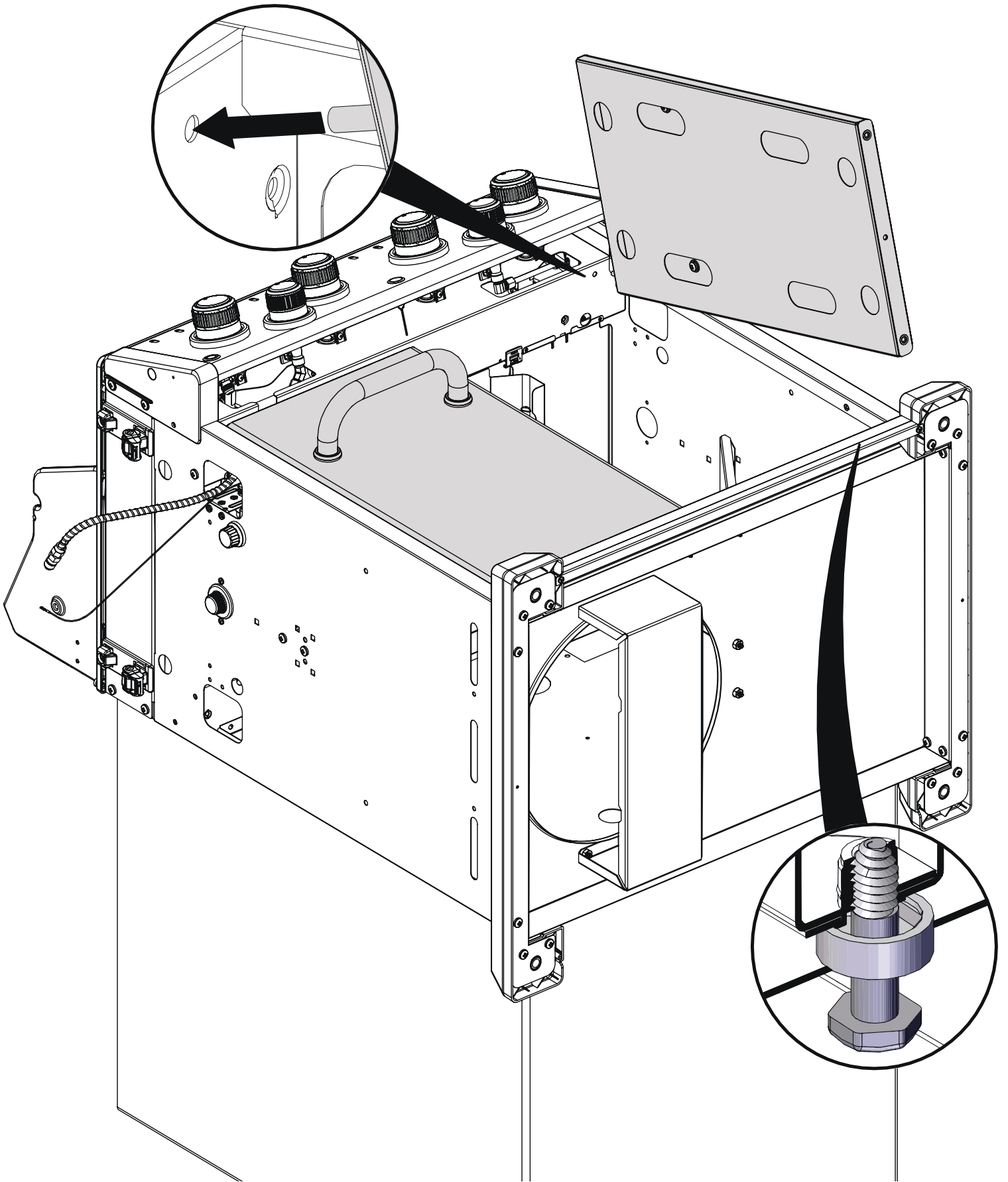
14

(2)



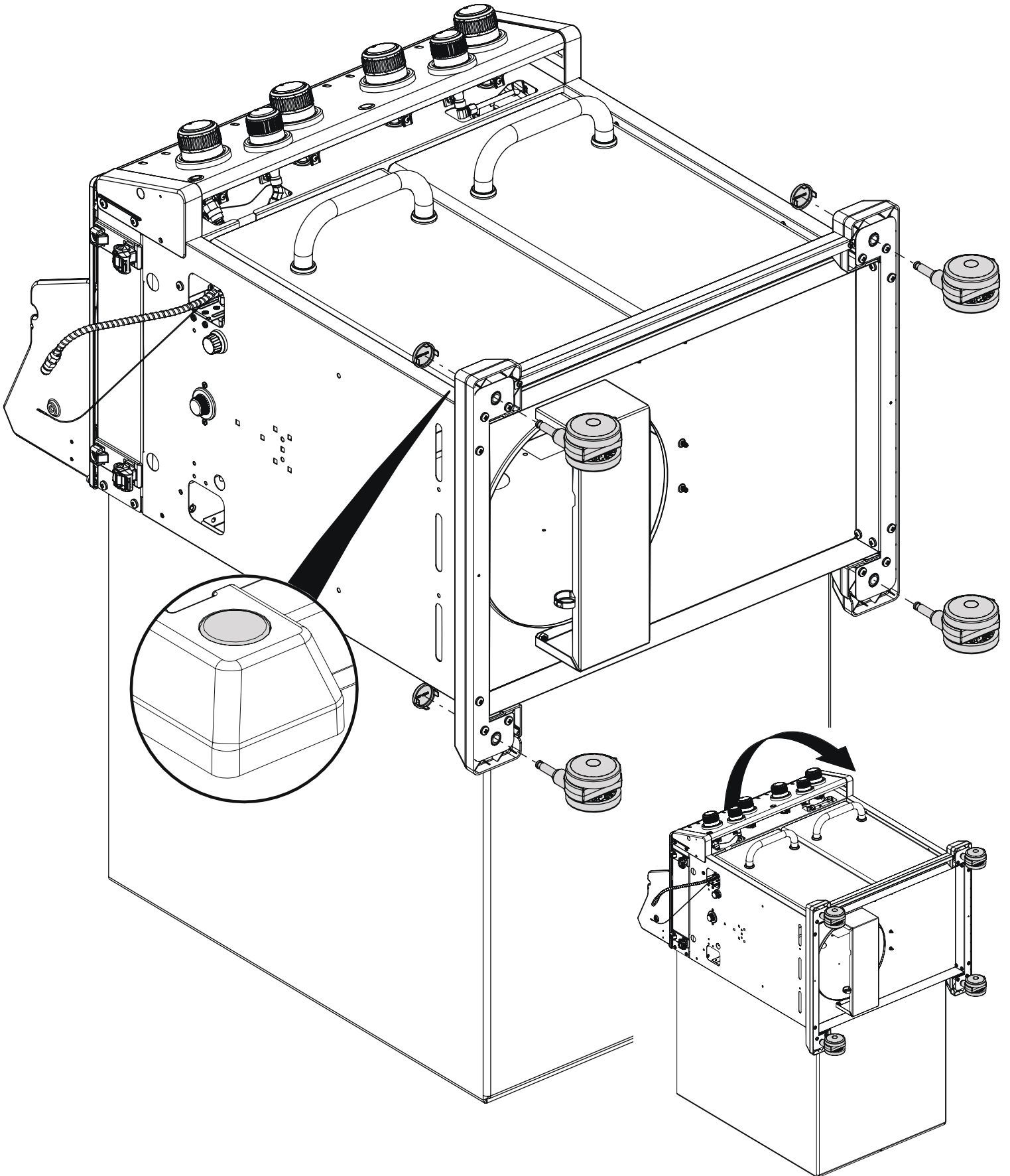
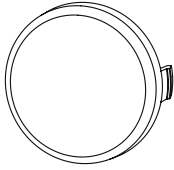
(2)





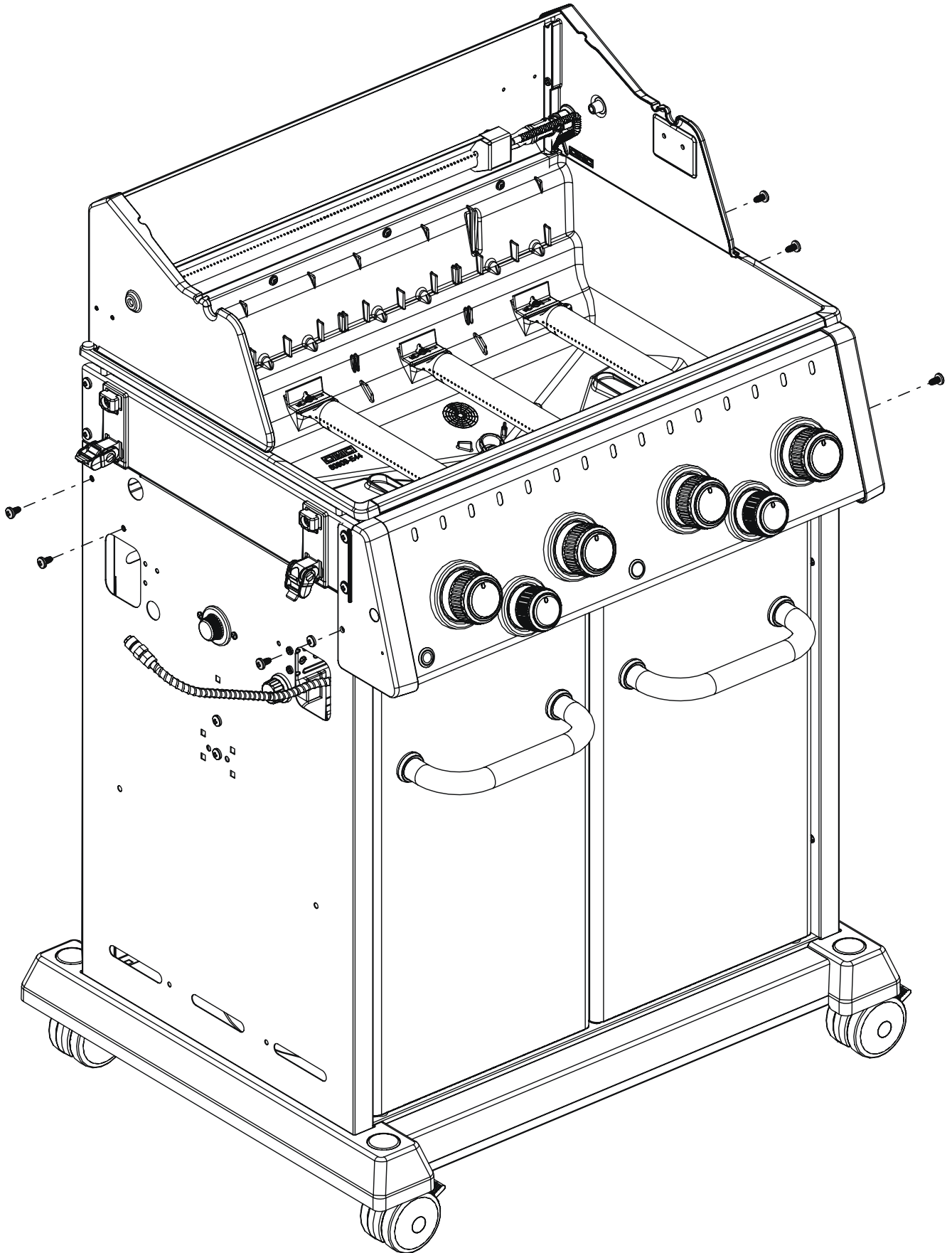
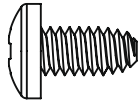
16

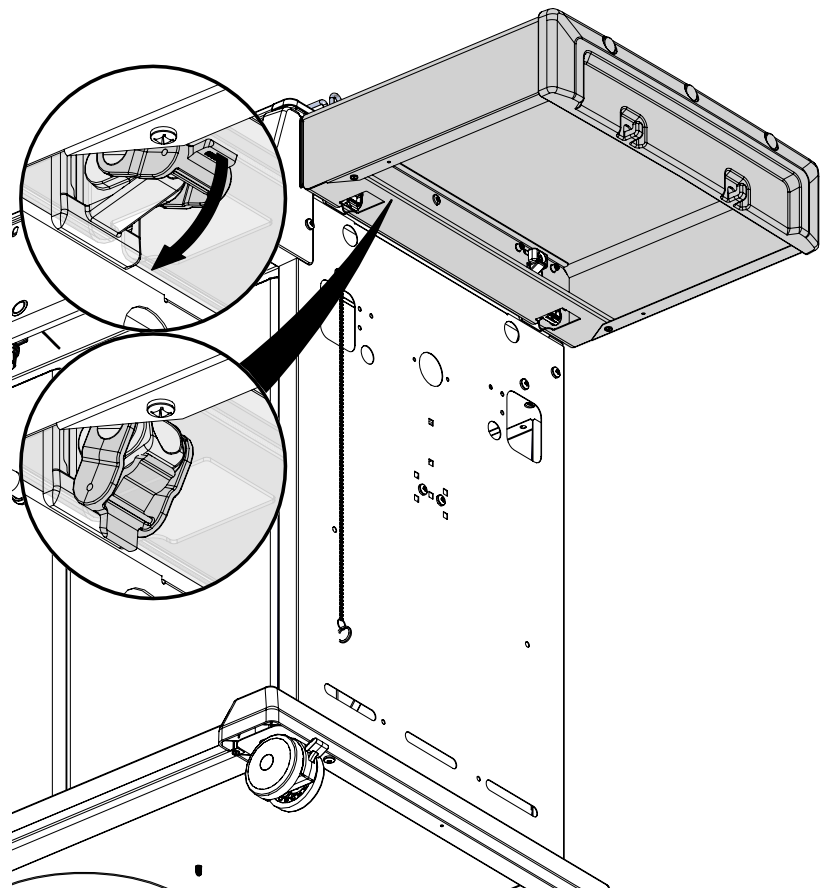
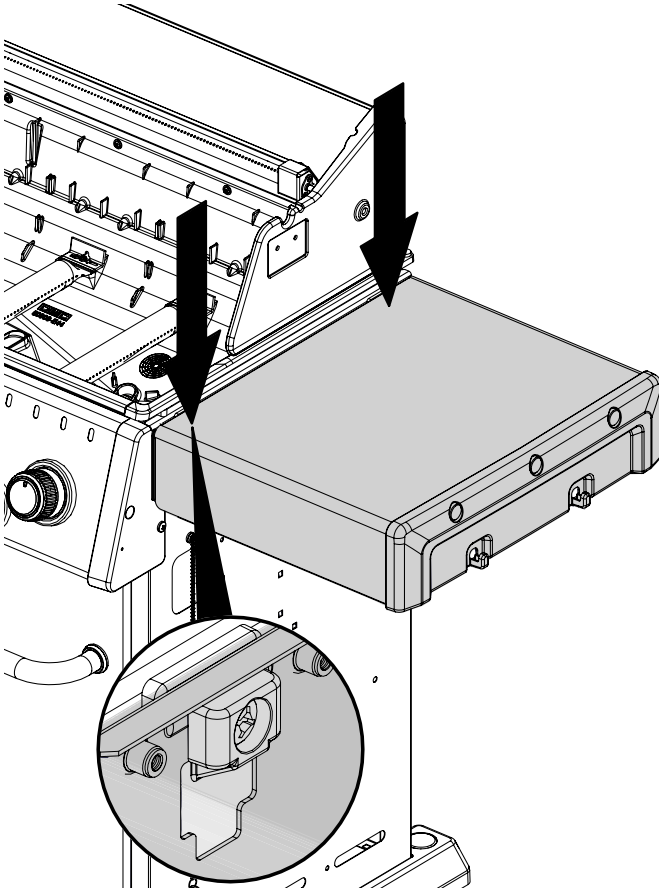
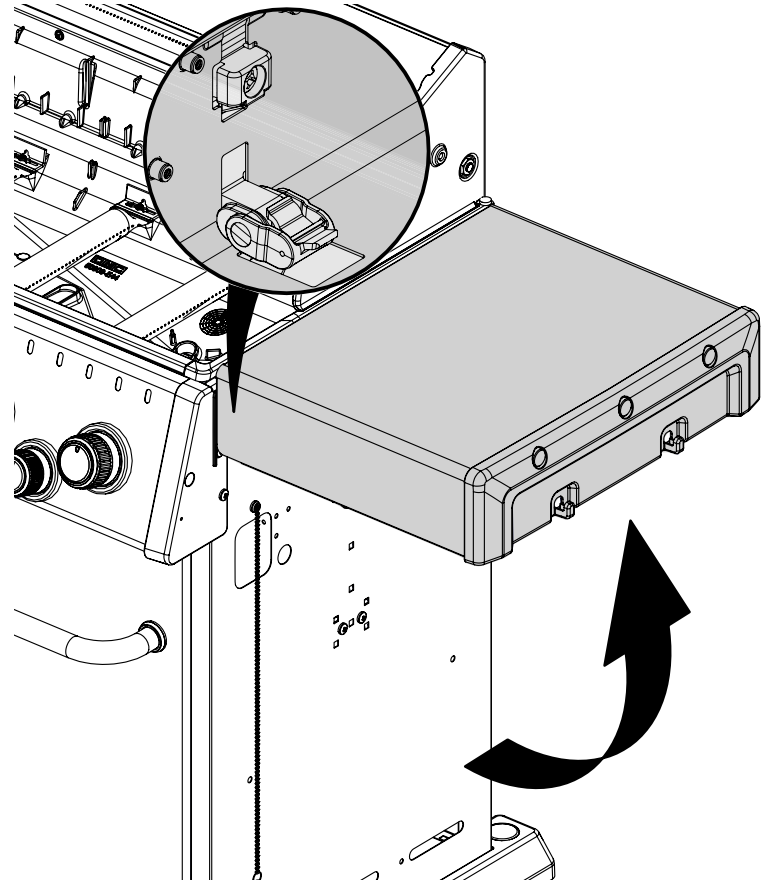
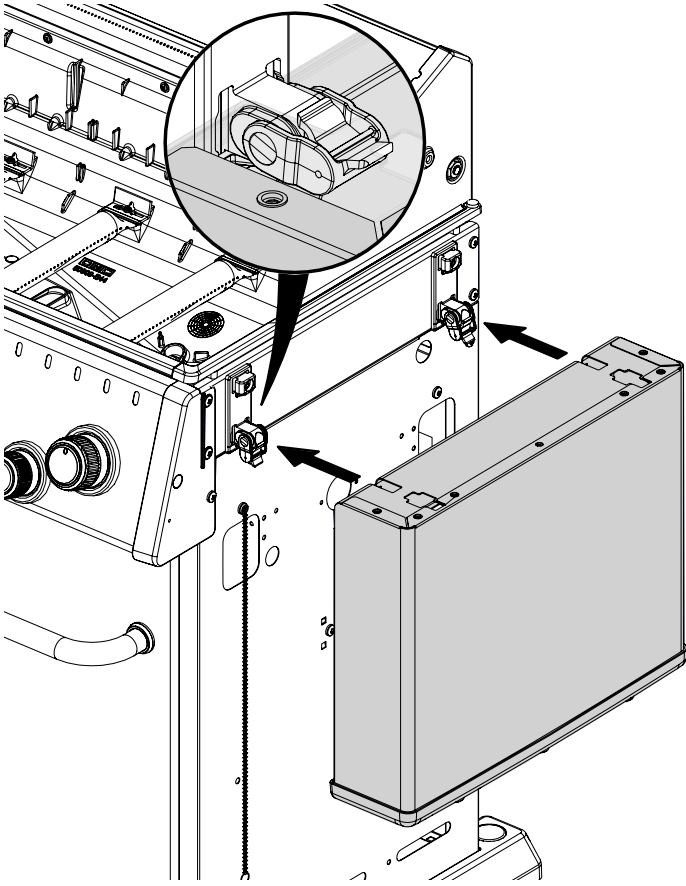
(4)



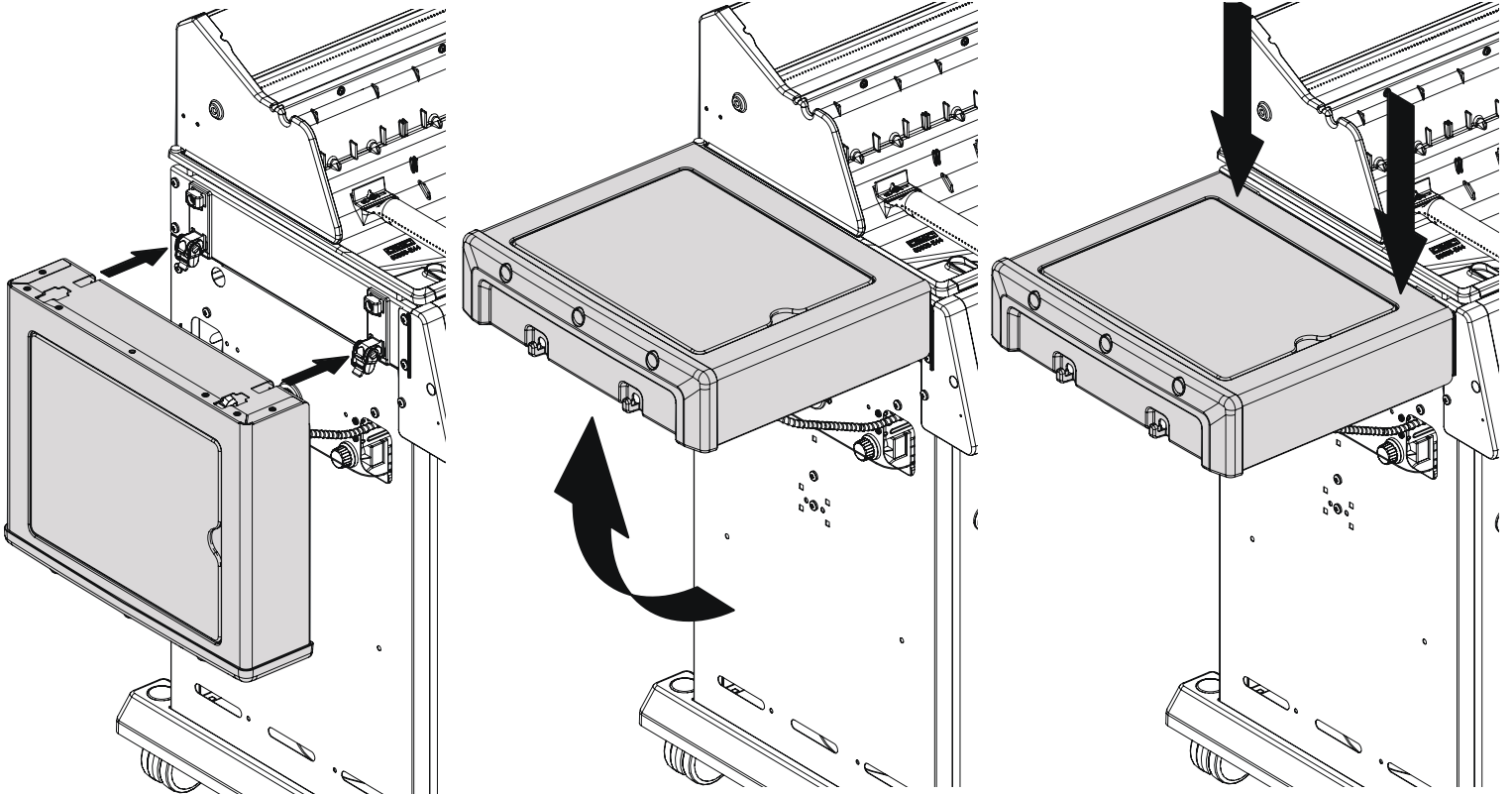
17

(6)

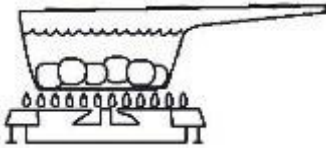




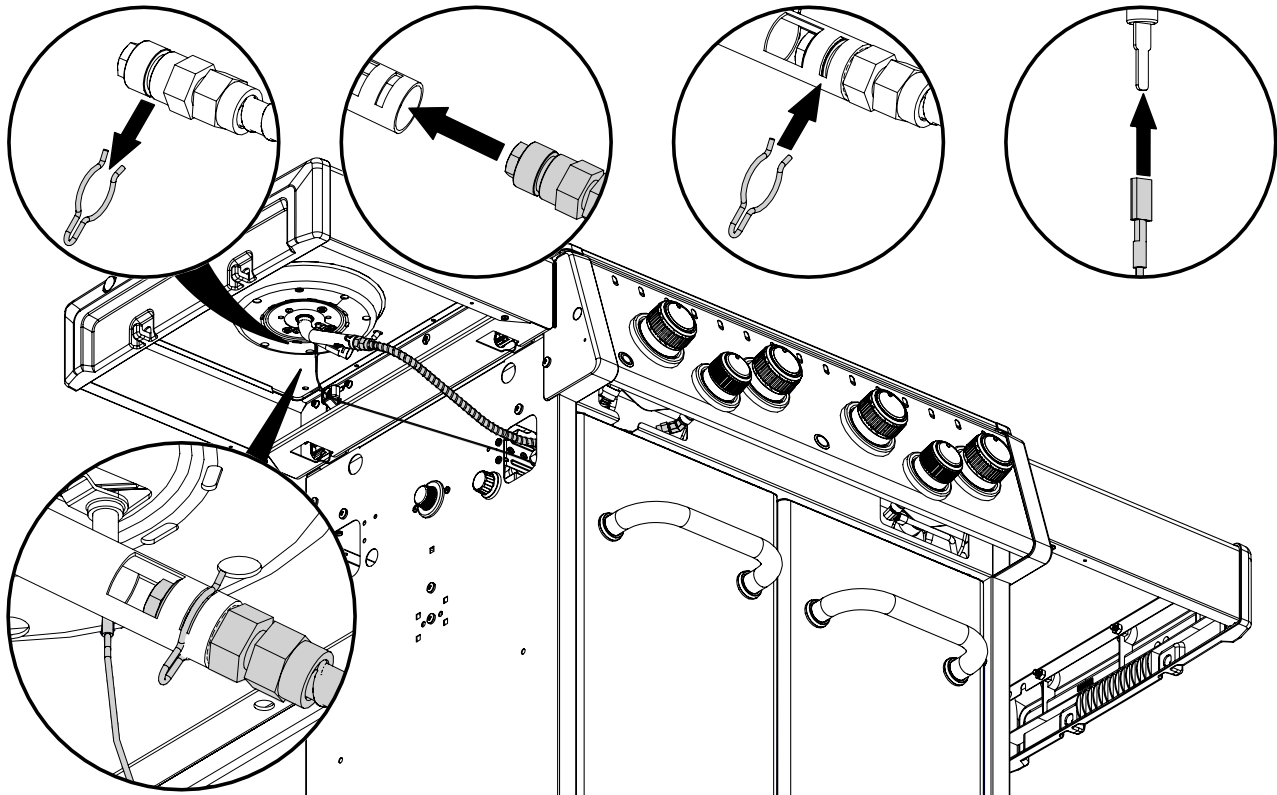
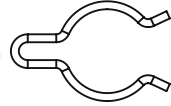
19



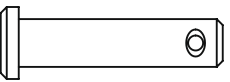
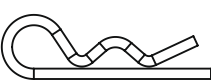
20

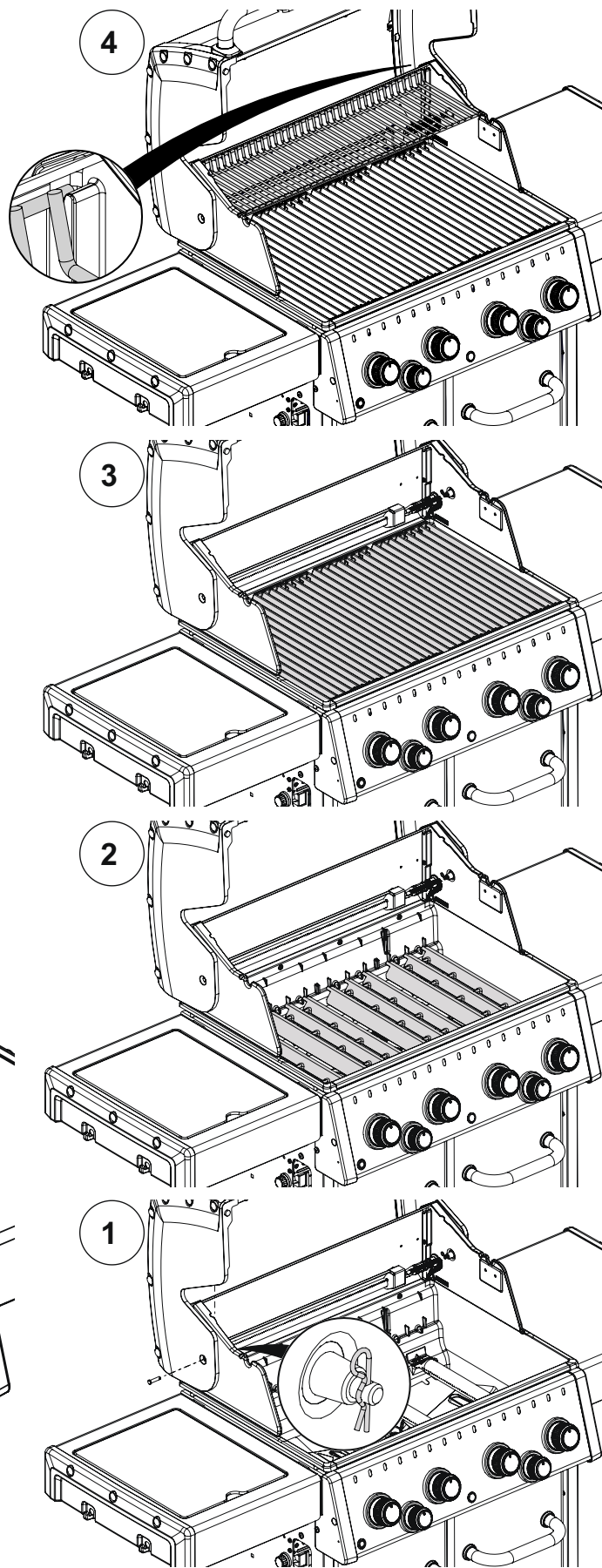
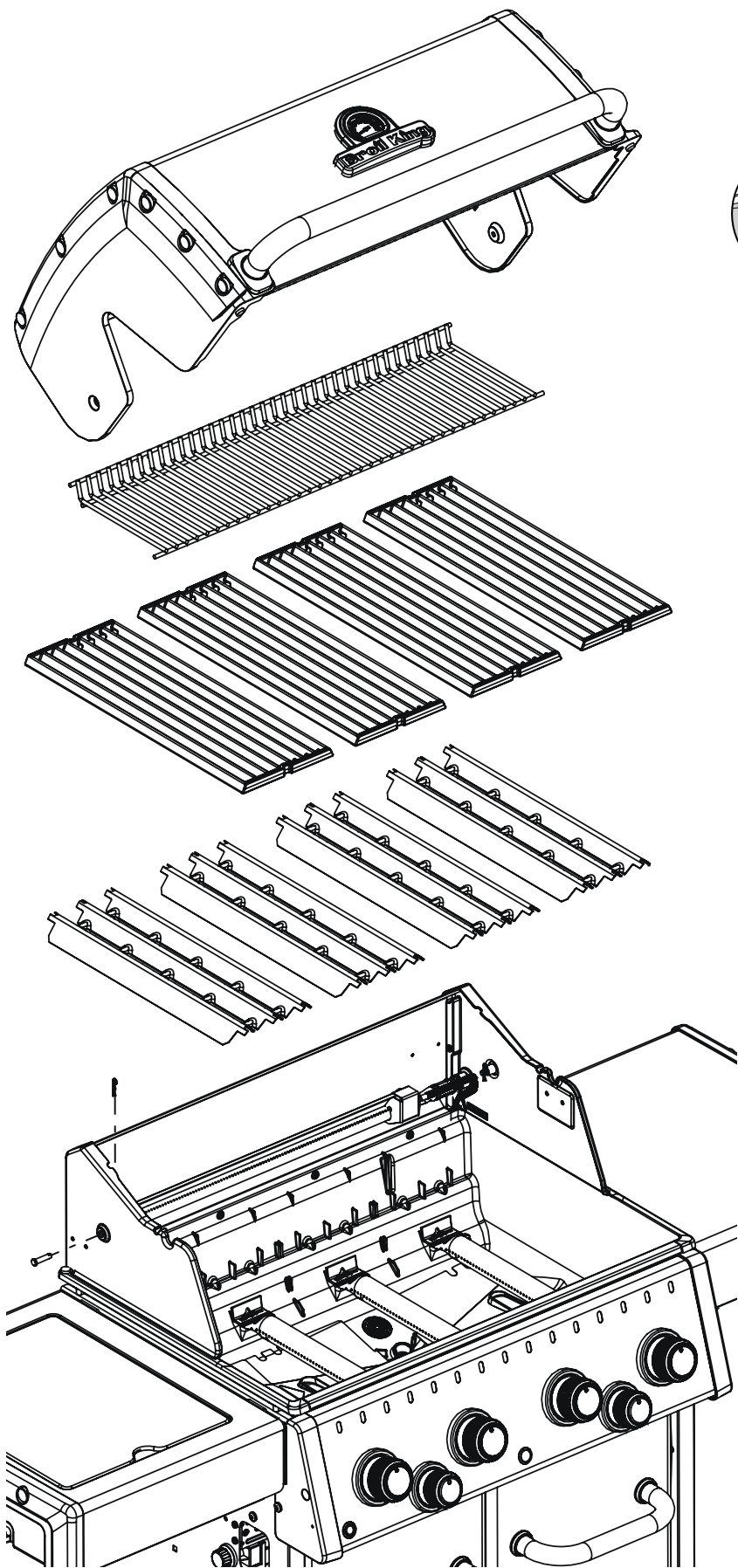


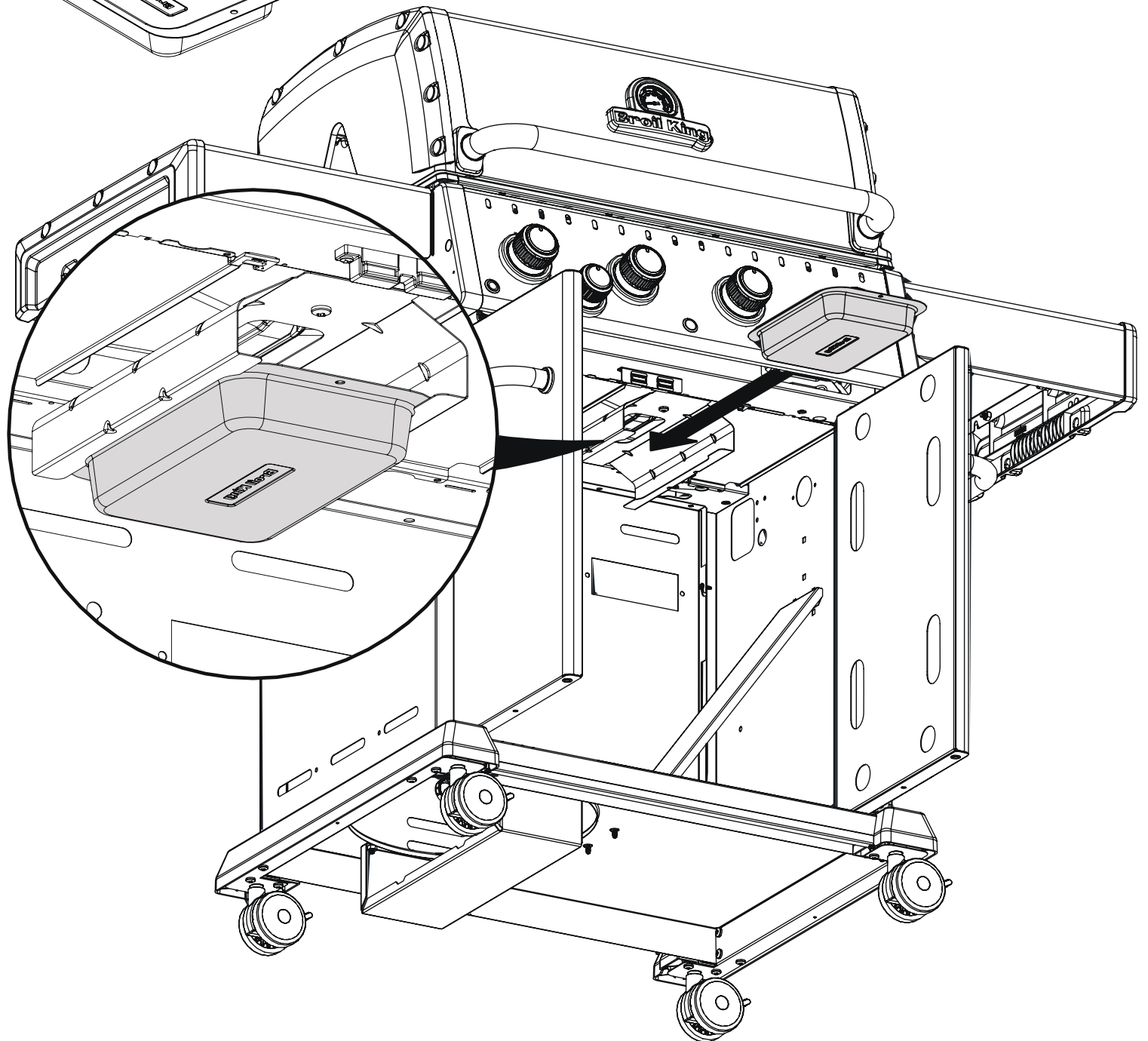
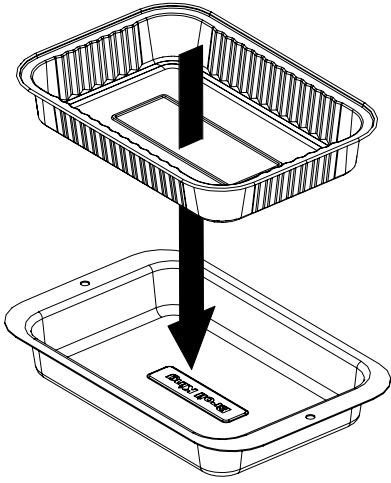
(1)



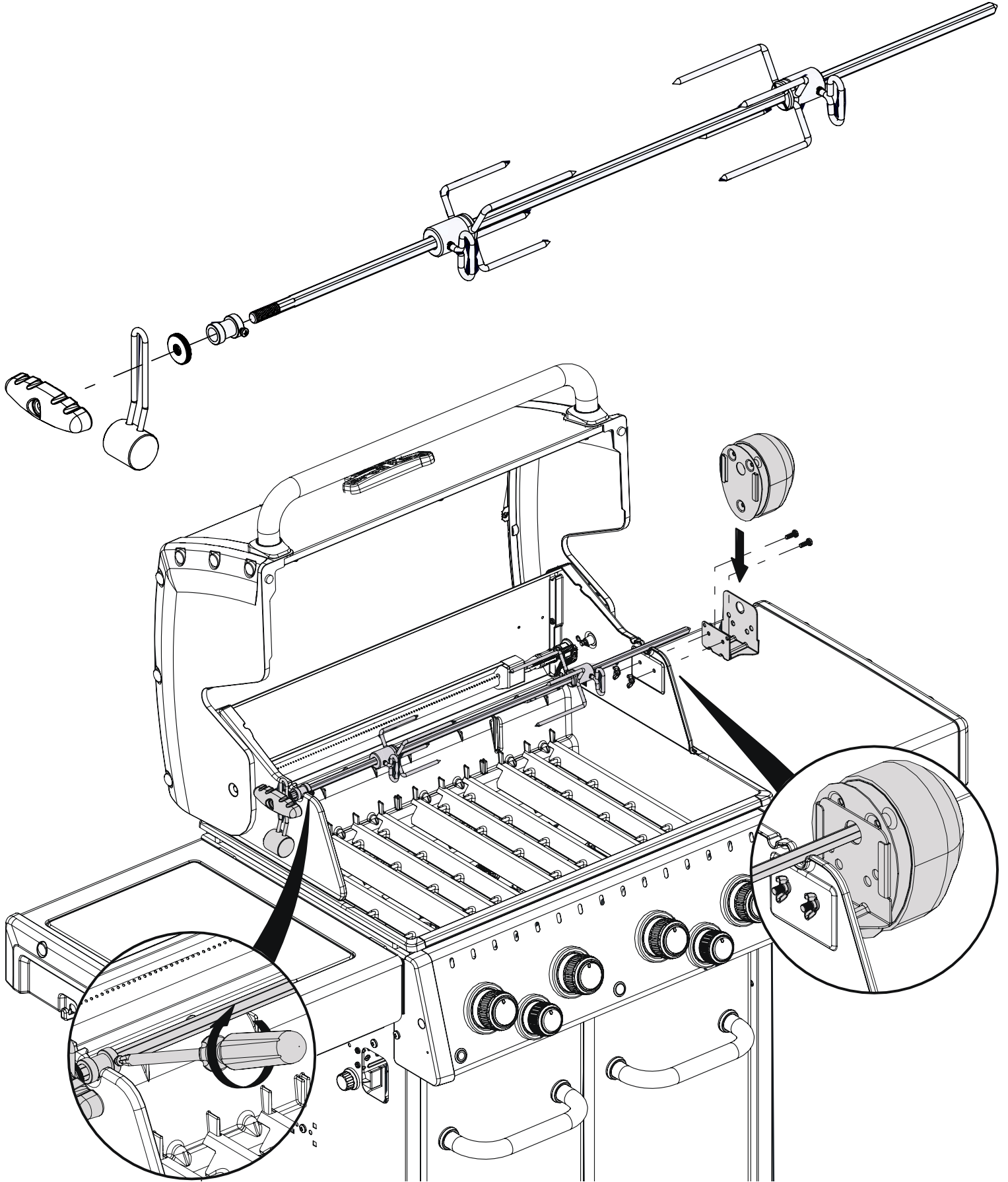
21

- (2) 
- (2) 

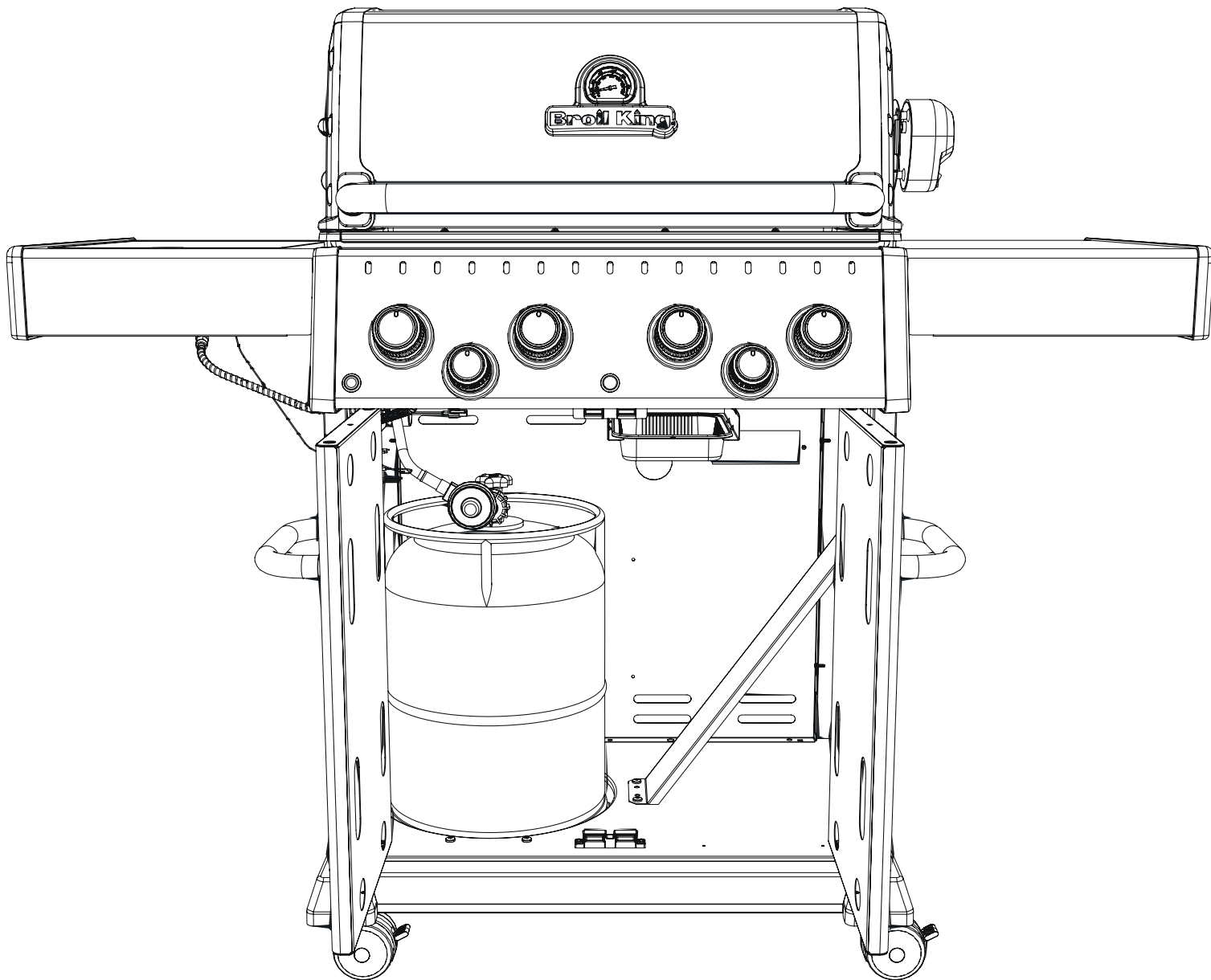
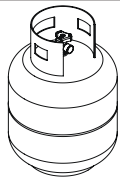




23



24



25

