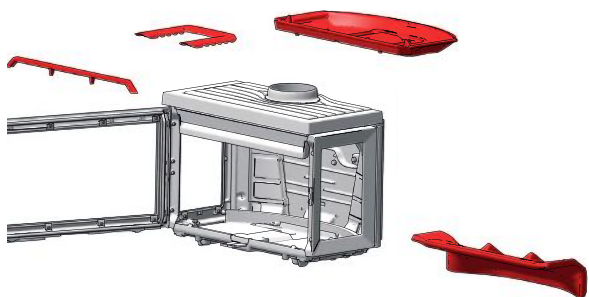
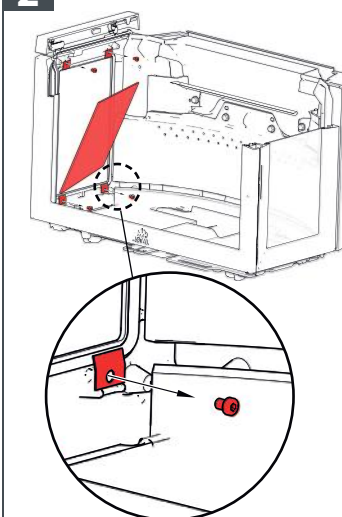


HEAT SHIELD SIDE F 620

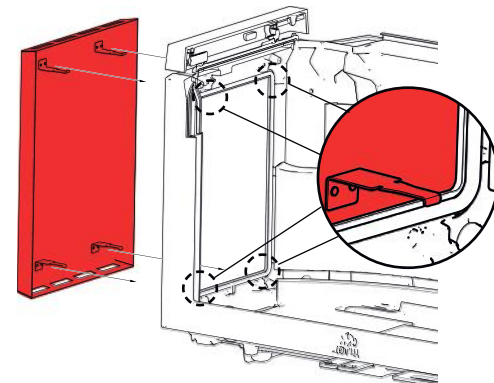
1



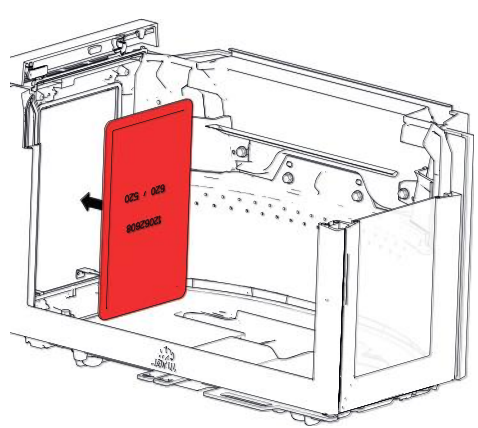
2



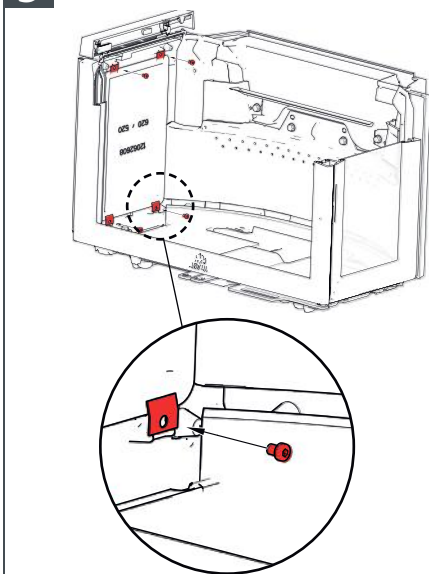
3



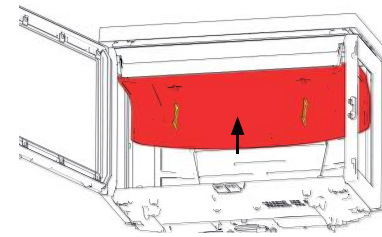
4



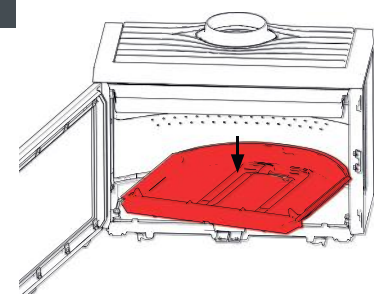
5



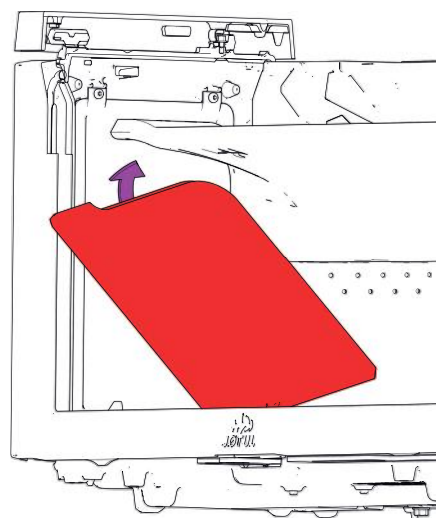
6



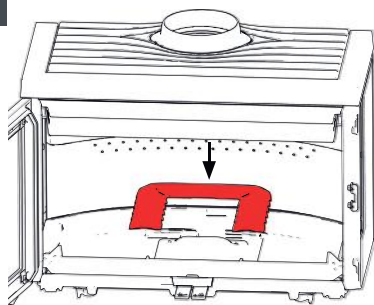
7



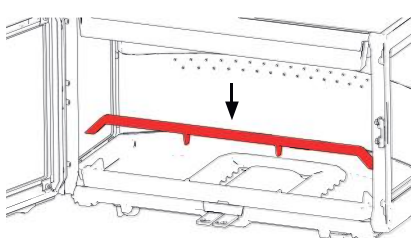
8



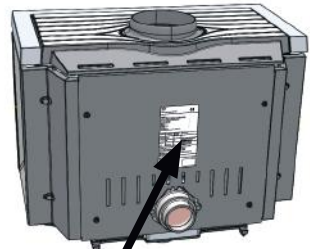
9



10



11



Product: **Jøtul F 620 F, FR, FL, Heatshield back, Convection kit** CE 22
 Room heater fired by solid fuel Duf: #R2201-CFM-30522

Standards: EN 13242:2011/AC:2013/2:2014
 Minimum distance to combustible material: REAR: 500 mm
 Minimum distance to combustible material: SIDE WITH HEATSHIELD: 500 mm
 Minimum distance to combustible material: SIDE WITH CAST IRON: 400 mm
 Minimum distance to combustible material: SIDE WITH CAST IRON + HEATSHIELD: 300 mm

Minimum distance to combustible material: REAR: 300 mm
 Minimum distance to combustible material: HEATSHIELD: 100 mm
 Minimum distance to combustible material: FLOOR: 500 mm

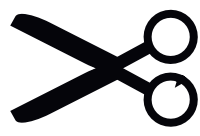
Efficiency at CO ₂ combustion products (10% O ₂)	8,07%
Flue gas temperature	270°C
Nominal heat output	5,7 kW
Efficiency	77%
Package	Wood
Construction	Metall
Material safety	Information

The appliance can be used as a wood-burner.

Country	Classification	Standard	Approved by
EUR	Intermediate	EN 13242	Danish Technological Institute

Follow user's instructions. Use only recommended fuels.
 Montage- und Bedienungsanleitung beachten.
 Always read the user instructions carefully.
 Respectez les consignes d'utilisation. Utilisez uniquement les combustibles recommandés.

1000121010



Cut off this part and replace the label already attached to the product with this one