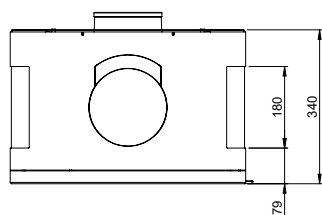
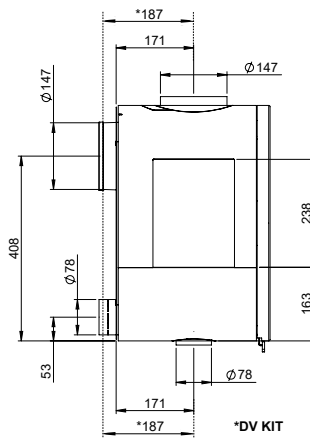
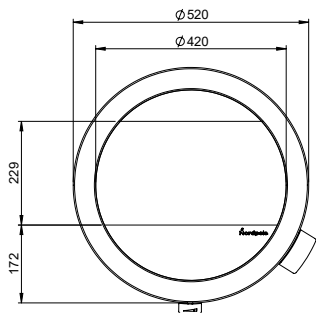


Measurements

ME



ME STOVE WITH SIDEGLOSS = MM/AIR/CHIMNEY



ME STOVE W/O SIDEGLOSS = MM/AIR/CHIMNEY

