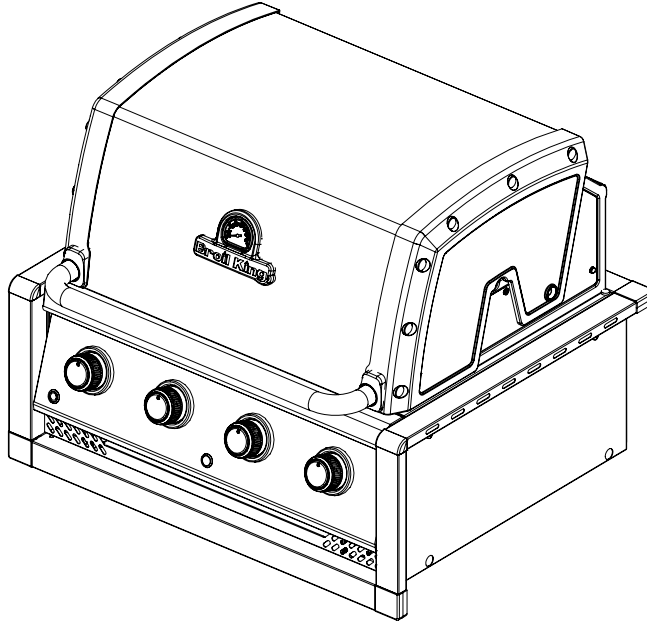
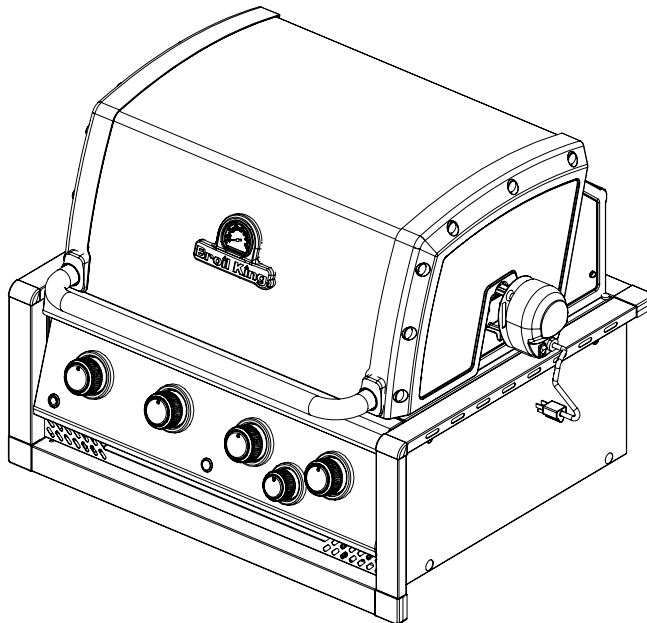


Broil King®

Broil King
REGAL 420
9856-52
9856-53
9856-53IL
9856-56



Broil King
REGAL 470
8856-72
8856-73
8856-73IL
8856-76
8857-73

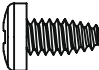
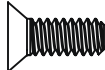
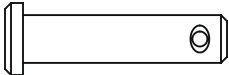

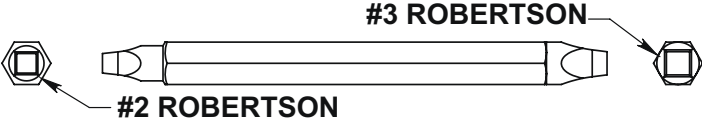


Onward
MANUFACTURING COMPANY
585 KUMPF DRIVE LIMITED
WATERLOO, ONTARIO, CANADA
N2V 1K3

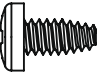
SINCE 1906

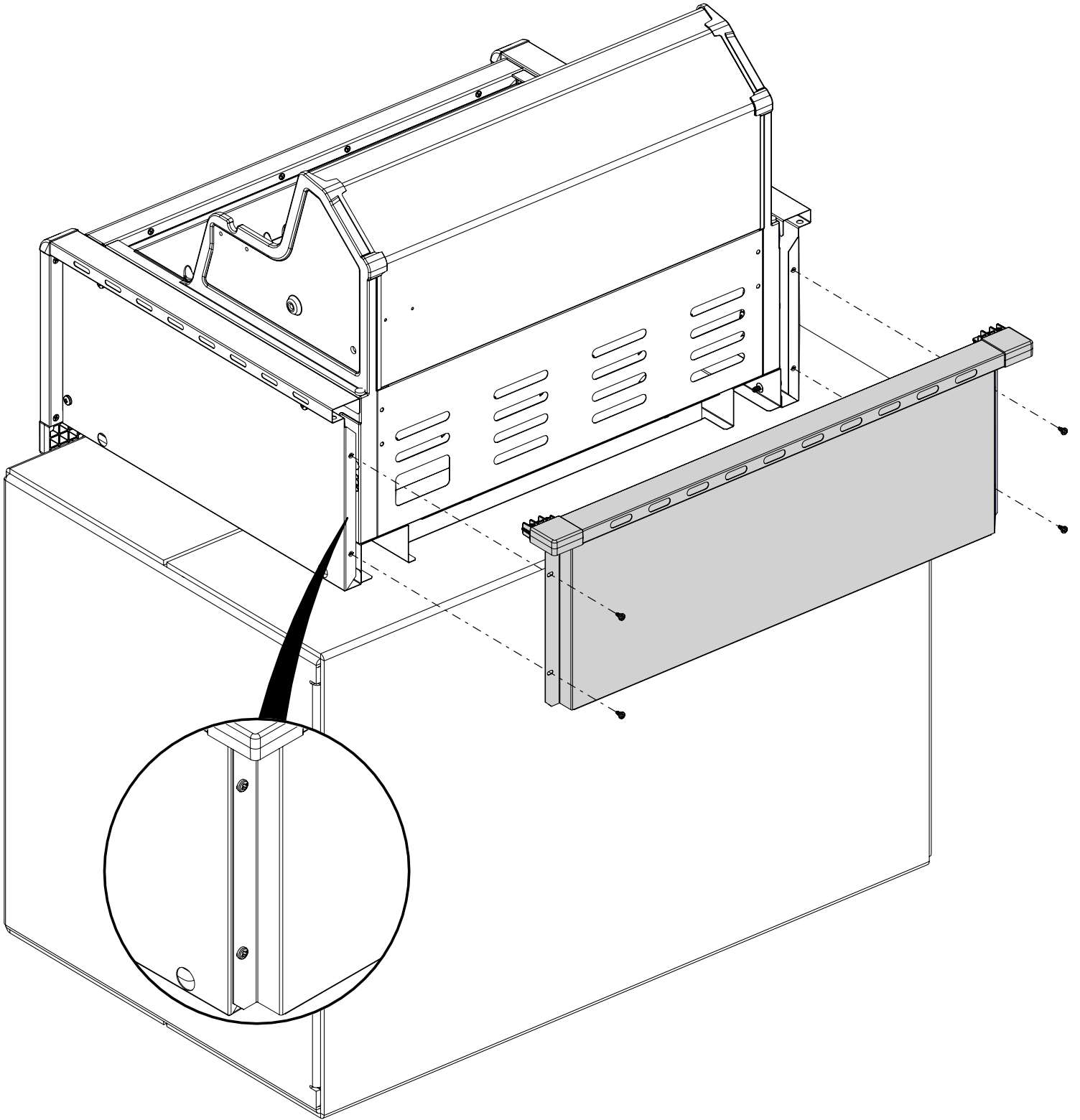
70084-E71EU REV H 03/24

HARDWARE INCLUDED / MATERIAL INCLUS / EQUIPOS INCLUIDO

| | |
|--|---|
| Y-29304  (4) | Y-29301  (2) |
| S21235  (2) | S21233  (2) |
|  <p>#3 ROBERTSON</p> <p>#2 ROBERTSON</p> | |

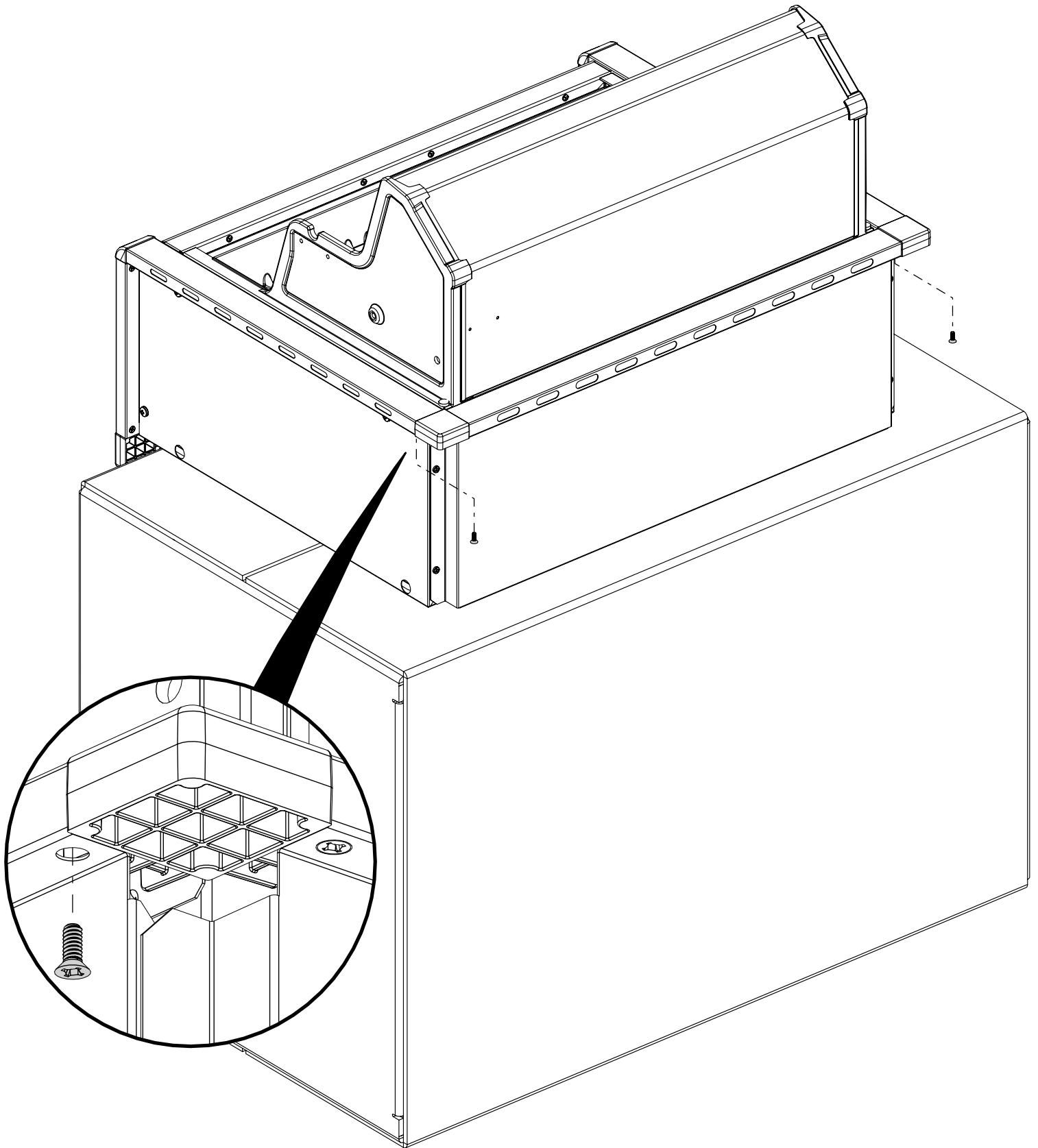
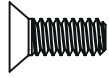
1

(4) 

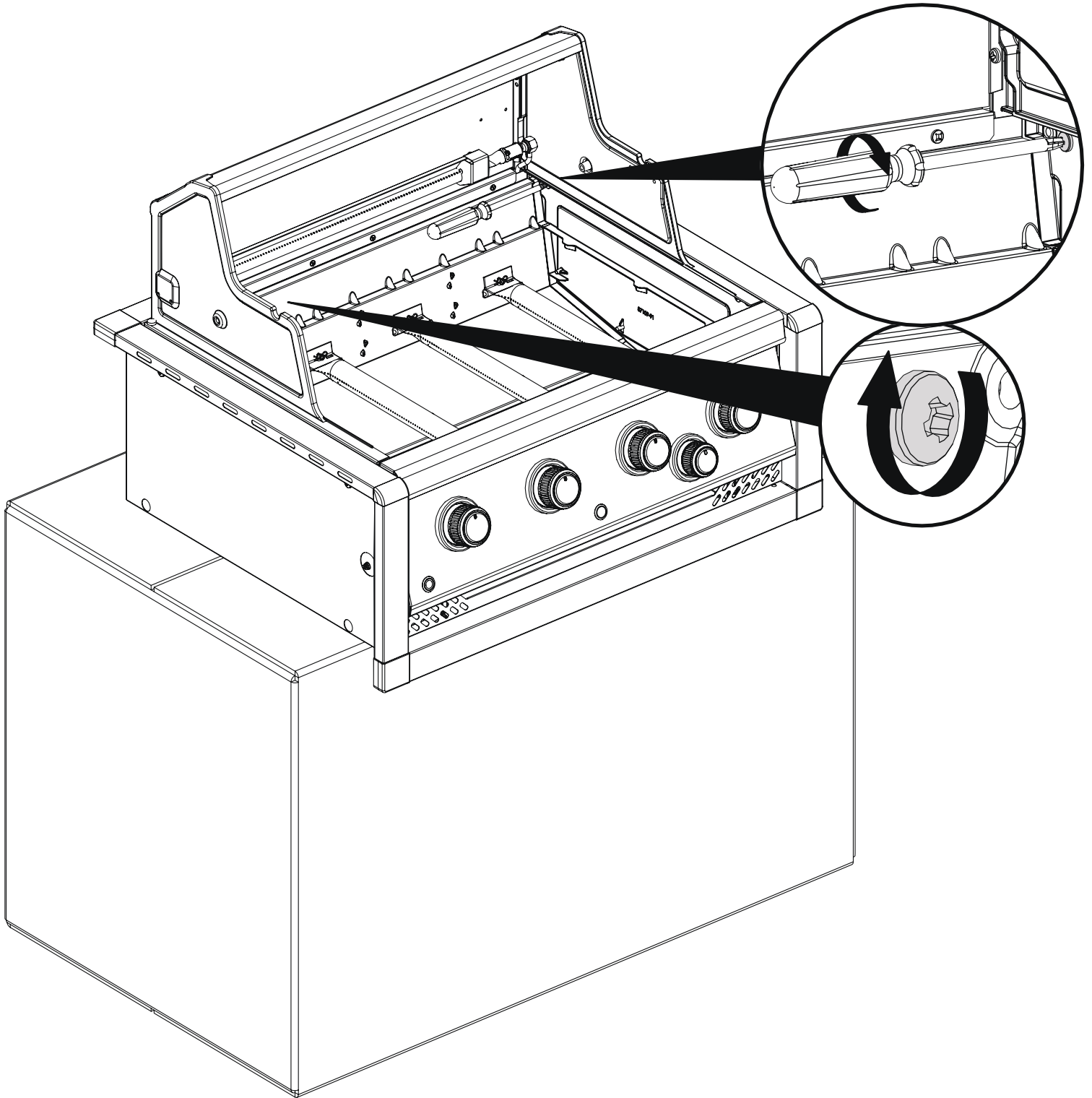


2

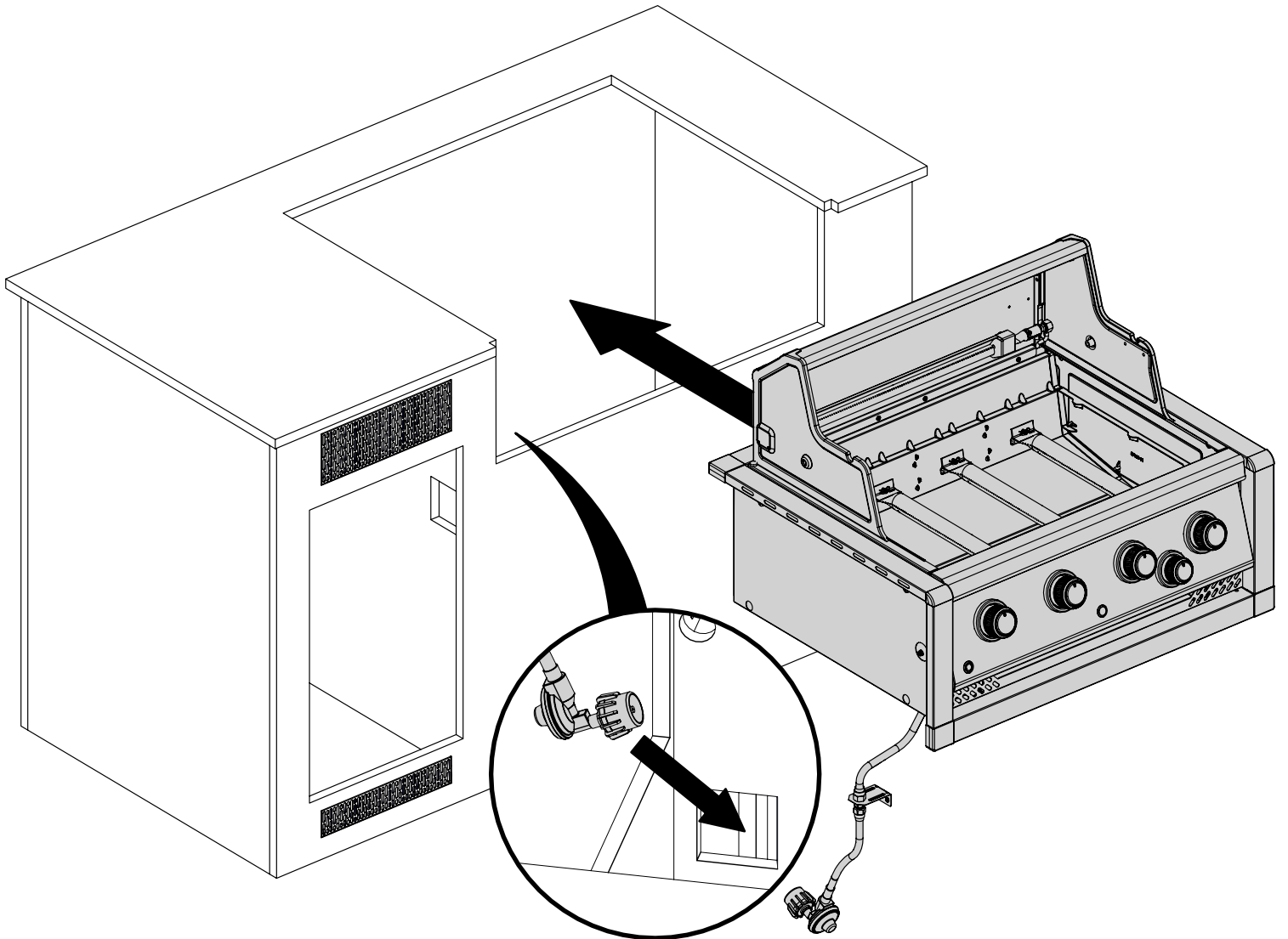
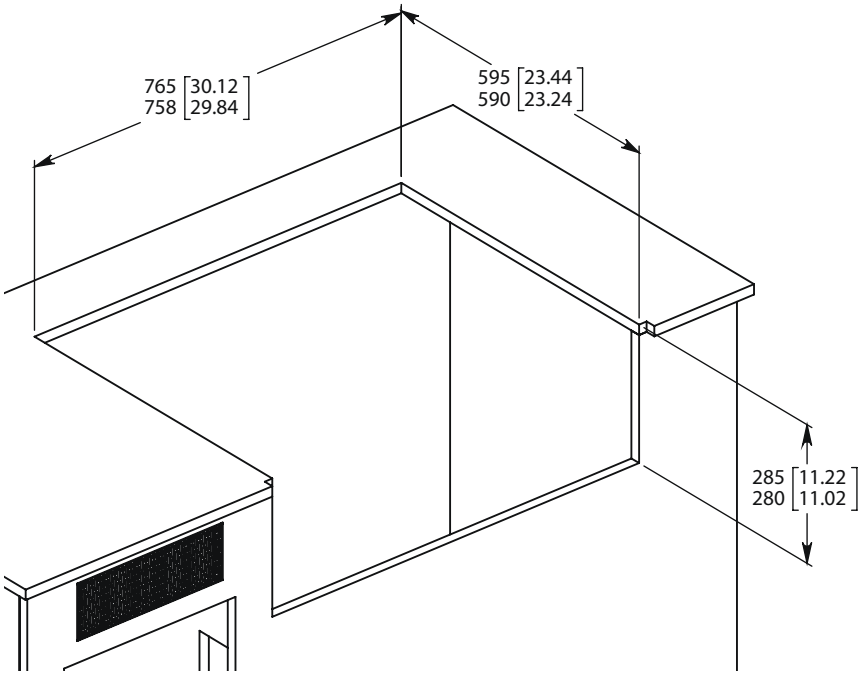
(2)



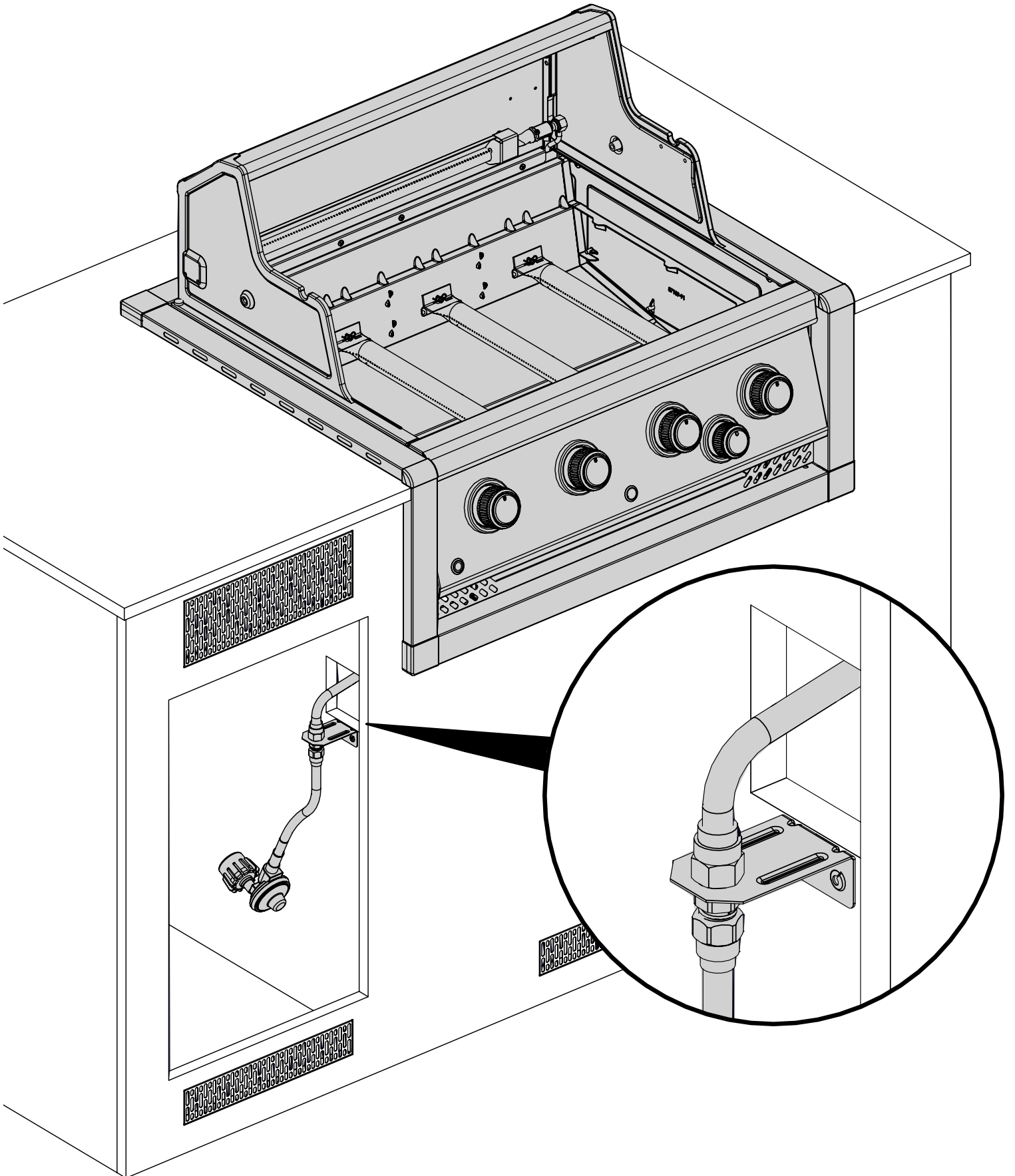
3



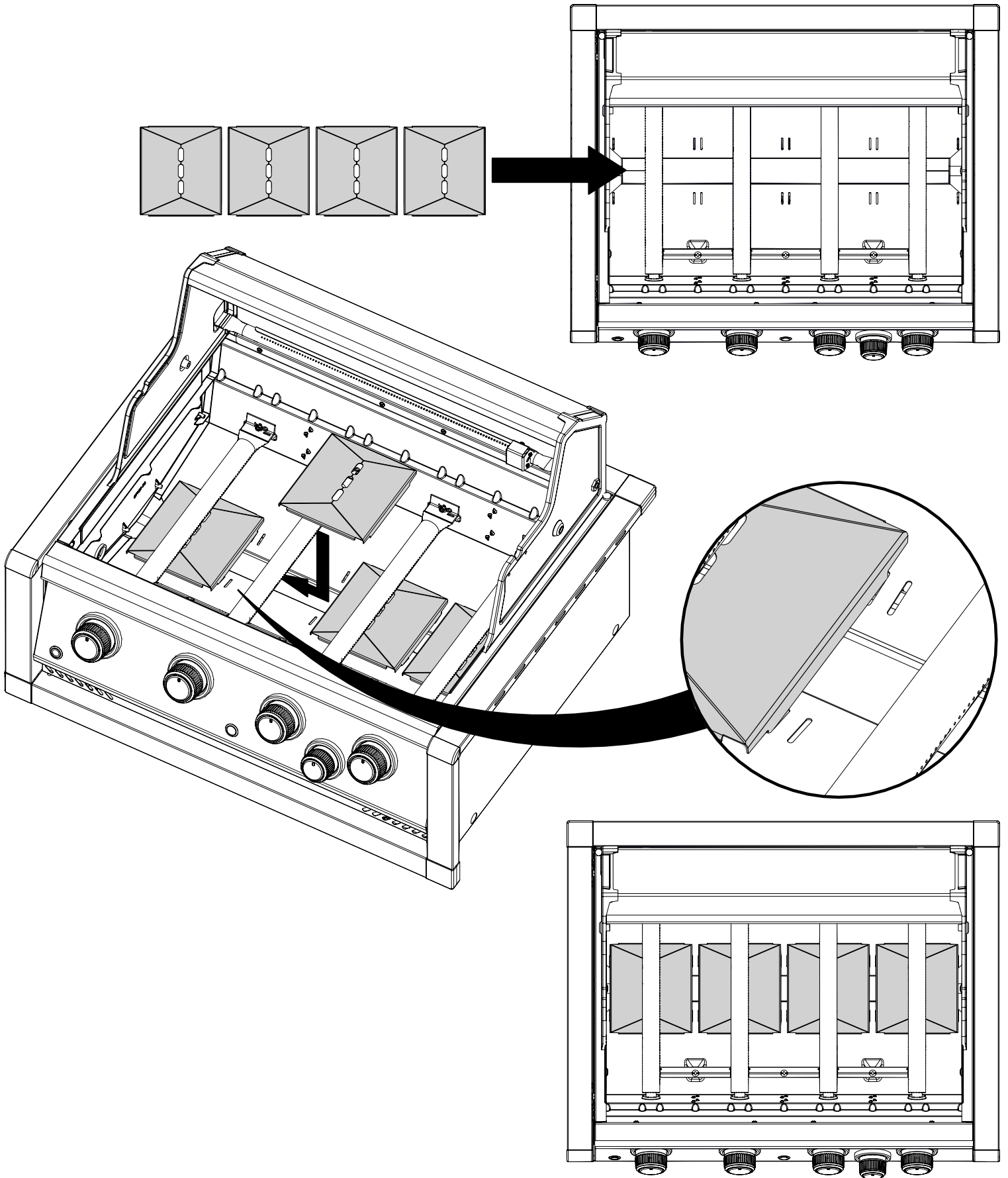
4



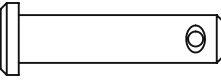
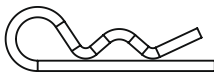
5

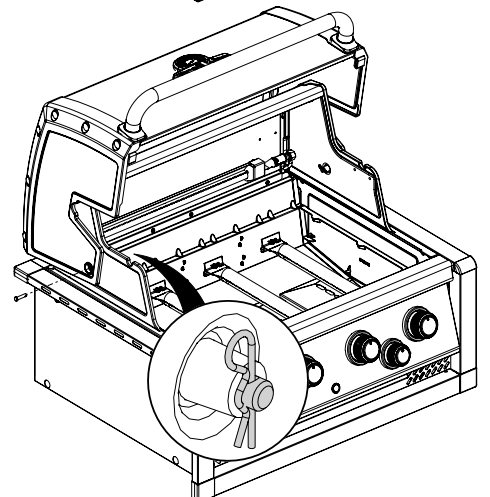
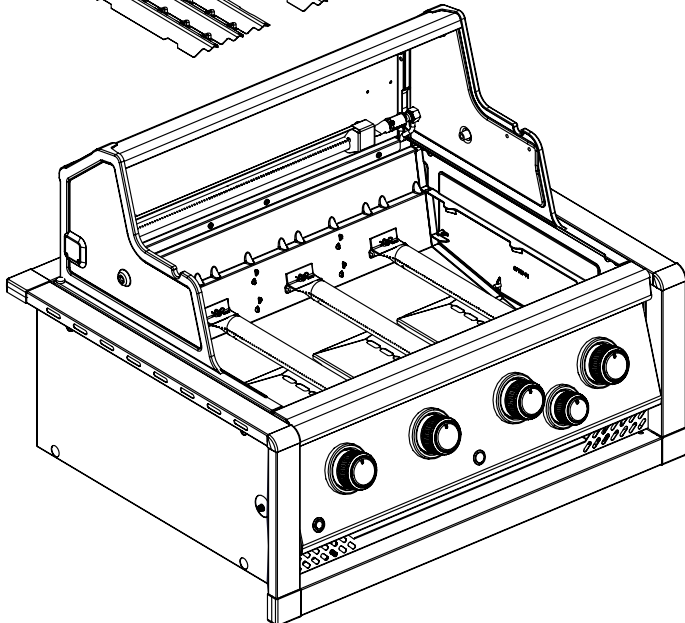
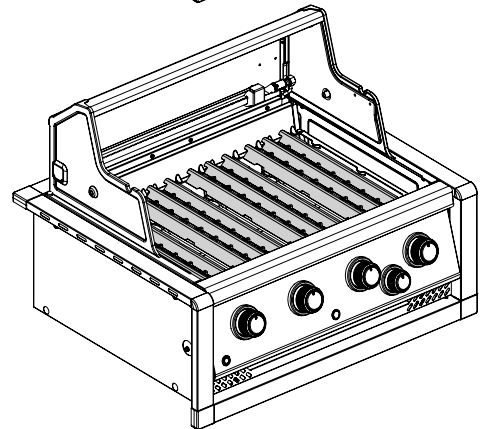
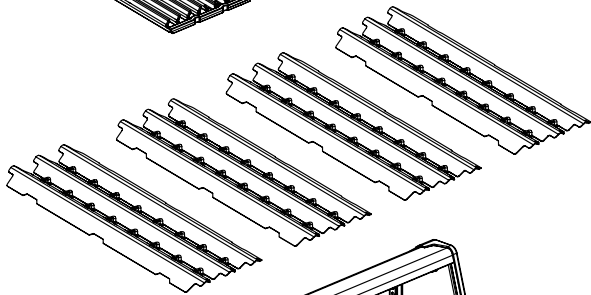
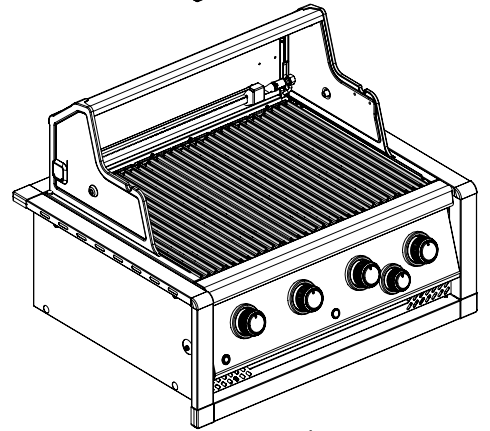
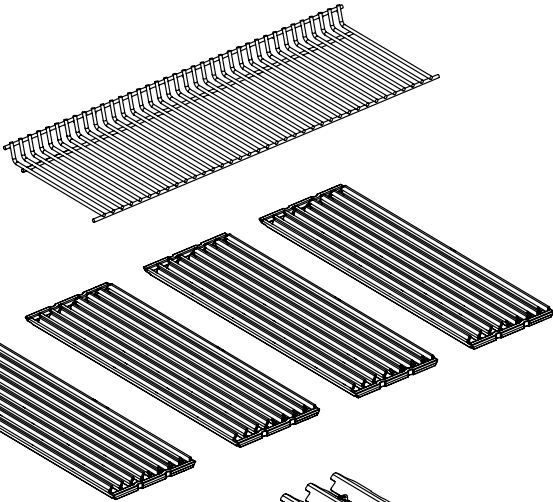
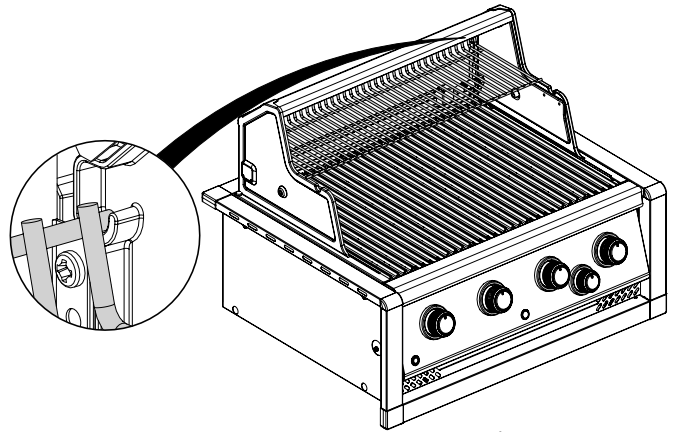
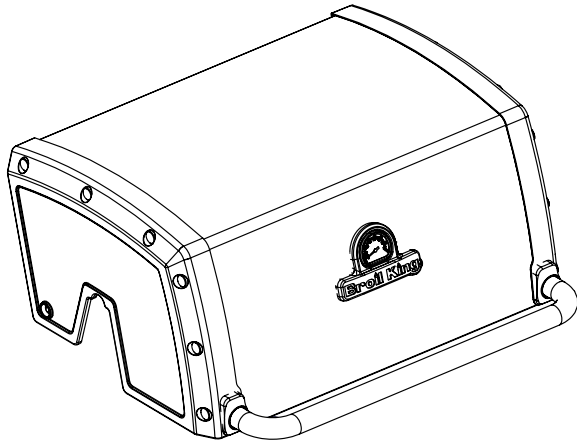


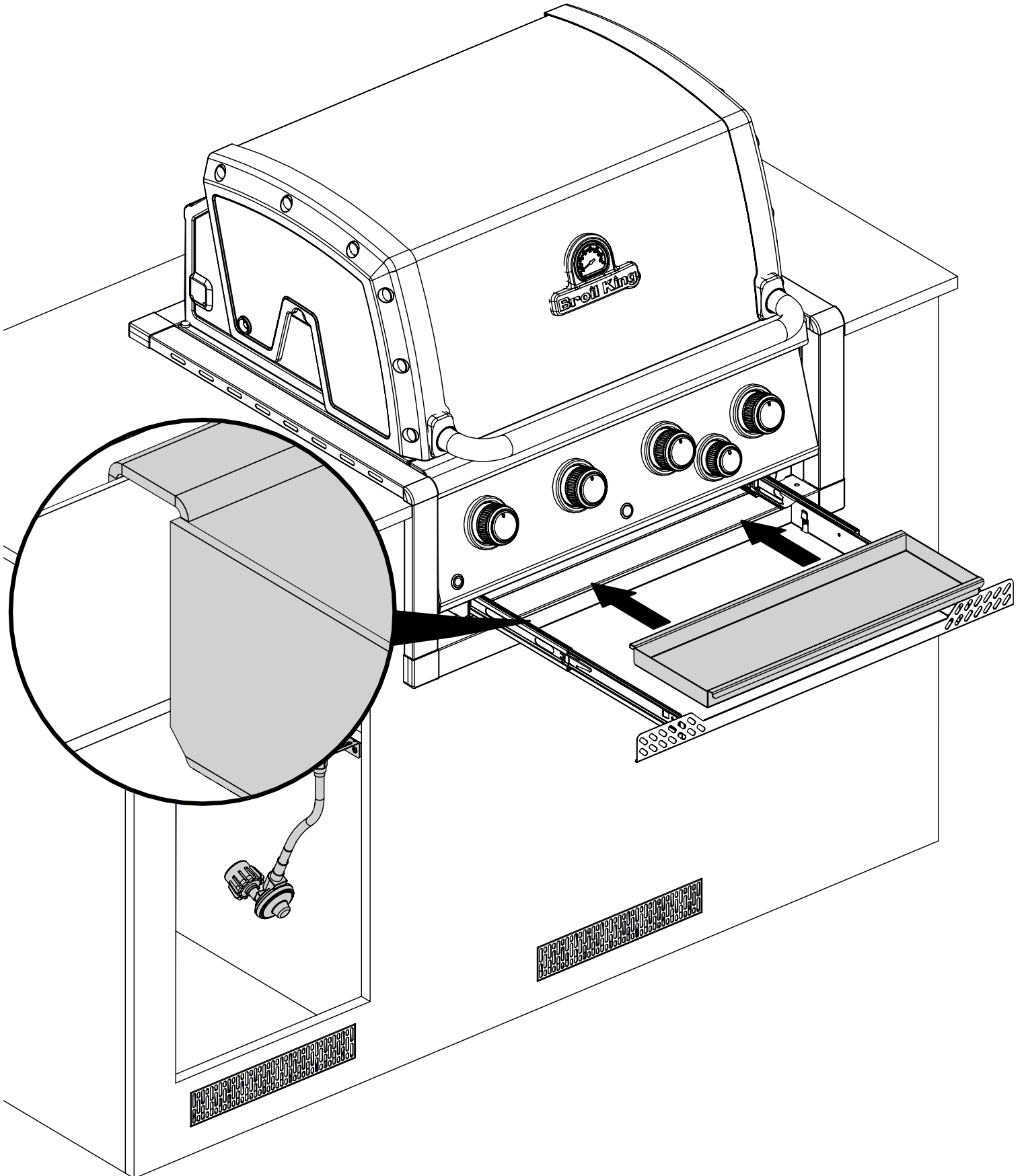
6



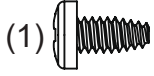
7

(2)  (2) 

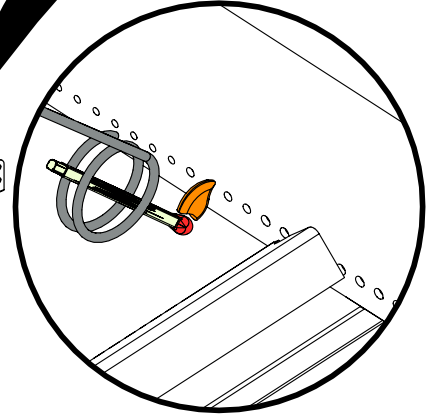
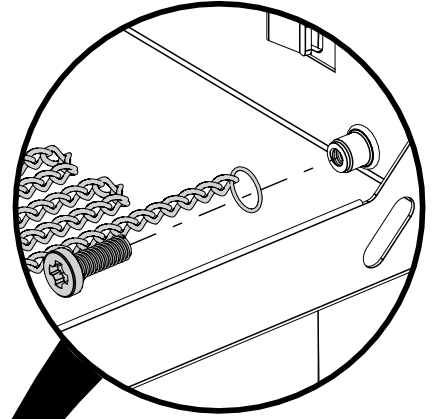
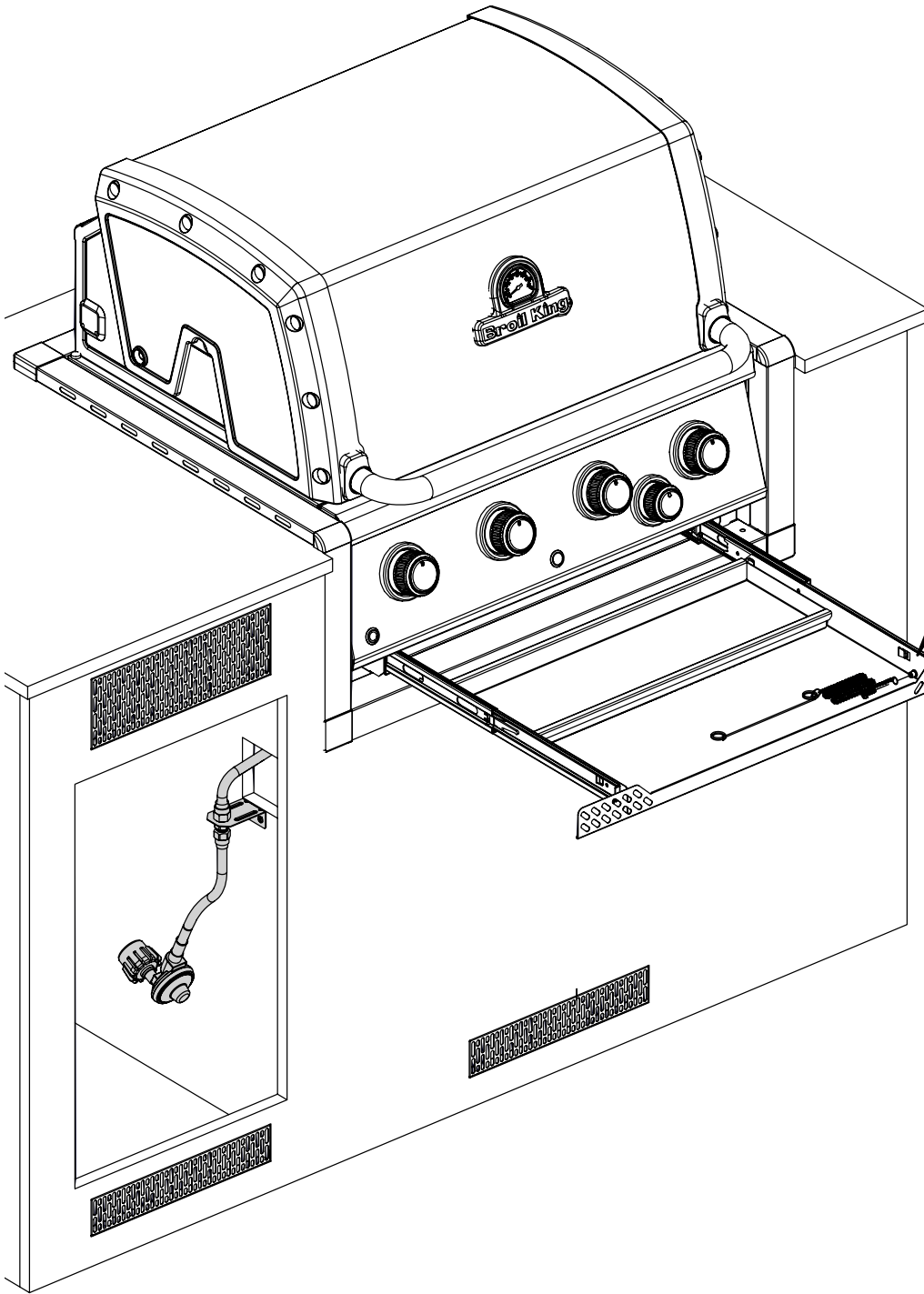


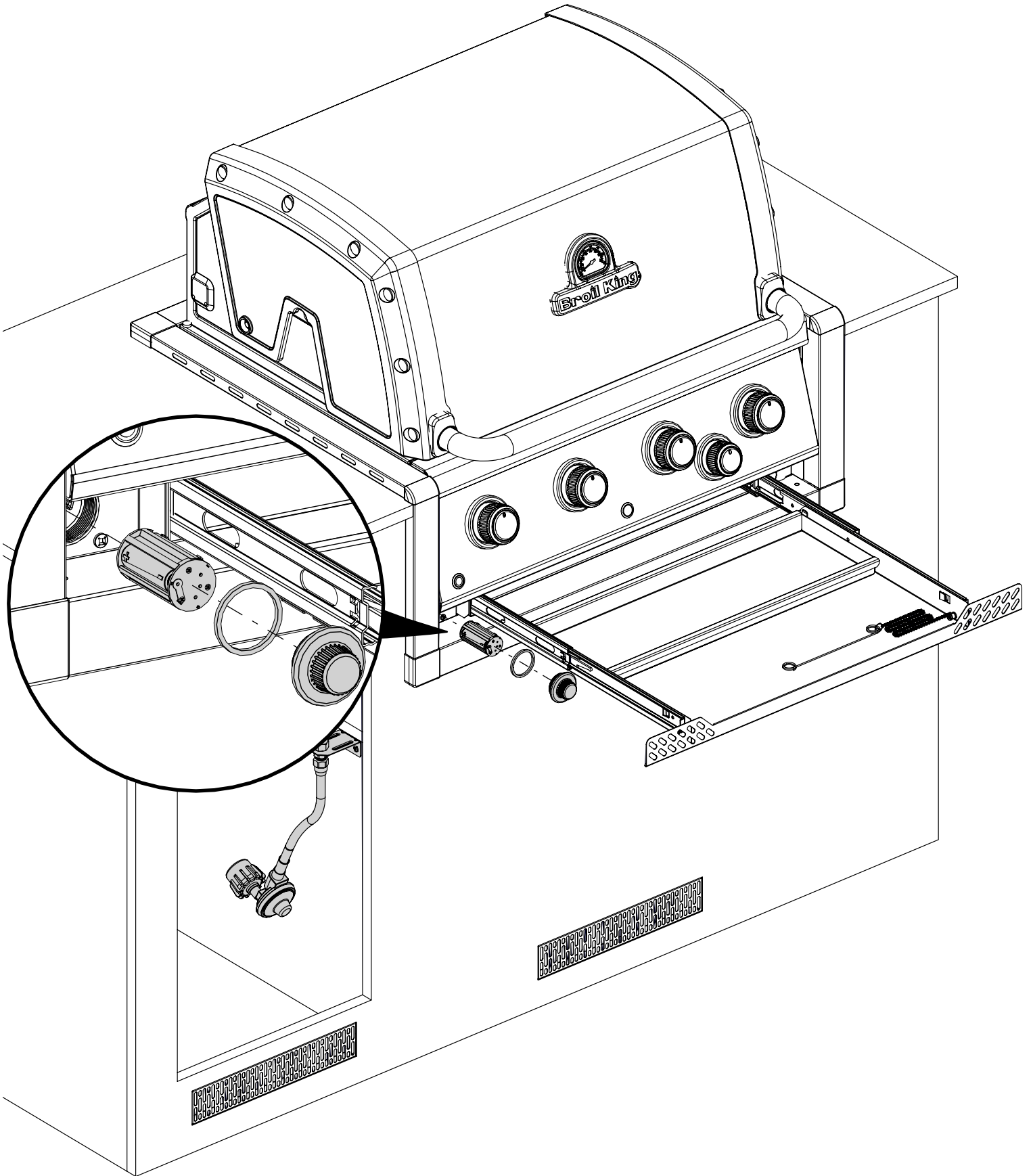


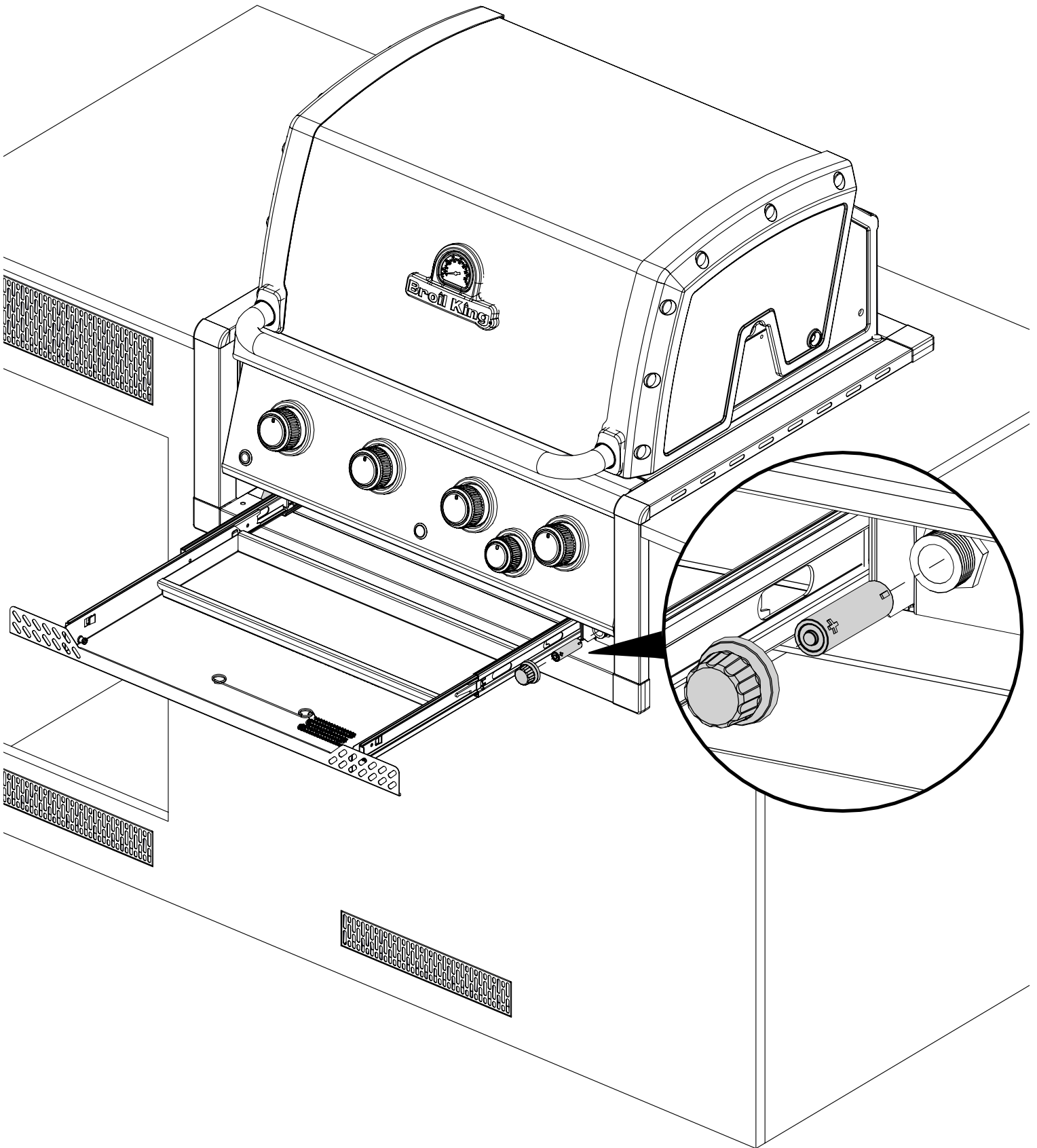
9



(1)







12

